



ANCHOR CHANNEL CHECKLIST :

Unit

Design standard

Application

Channel type

Channel material

Channel length

T-bolt material

T-bolt diameter

Concrete compressive strength (cylinder), $f_{c,cyl}$

Concrete compressive strength (cube), $f_{c,cube}$

Concrete thickness

Plate dimension

T-bolt spacing

Distance to load application point

Distance of plate overhang (for Top)

Distance to edge of slab (for Top)

Distance to bottom of slab (for Face)

Distance to top of slab (for Face)

Given input load

Tension, N

Shear, V_x

Shear, V_y

Torsion, M_z

Moment, M_x

Moment, M_y

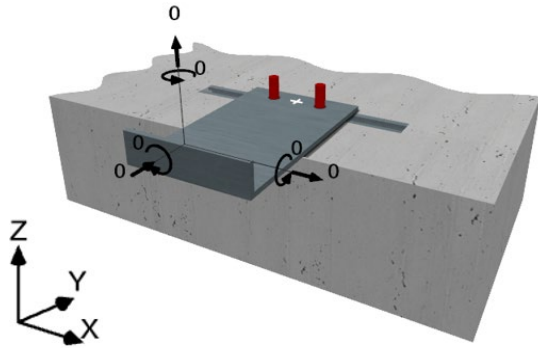
Additional input :

--

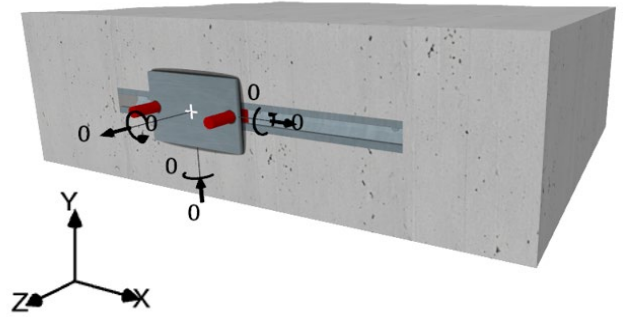
For attachment (drawing/sketch etc. of the arrangement), please attach to the Hilti Online request form.



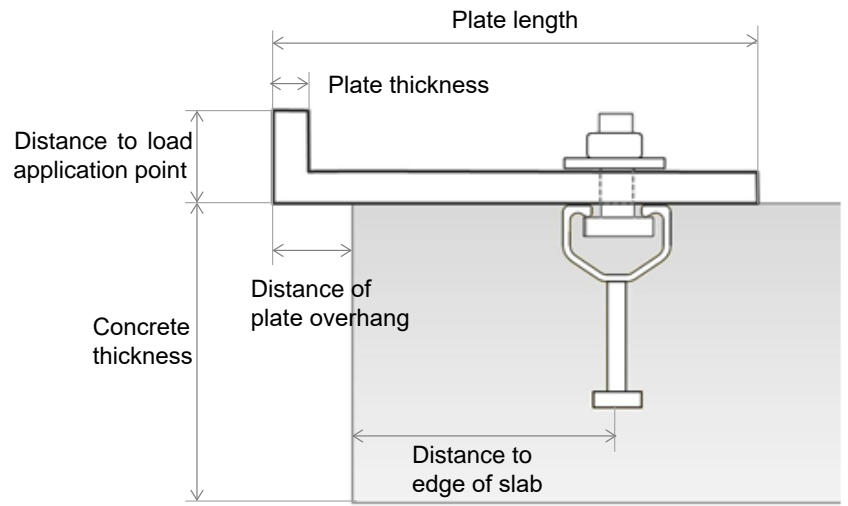
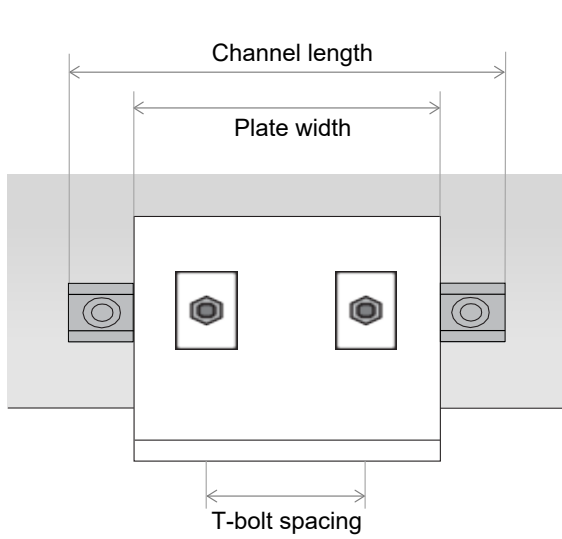
Top



Face



Top



Face

