

HILTI

TE DRS-S

English



1 Information about the documentation




1.1 About this documentation

- Read this documentation before initial operation or use. This is a prerequisite for safe, trouble-free handling and use of the product.
- Observe the safety instructions and warnings in this documentation and on the product.
- Always keep the operating instructions with the product and make sure that the operating instructions are with the product when it is given to other persons.

1.2 Explanation of symbols used



1.2.1 Warnings

Warnings alert persons to hazards that may occur when handling or using the product. The following signal words are used in combination with a symbol:

	DANGER! Draws attention to an imminent hazard that will lead to serious personal injury or fatality.
	WARNING! Draws attention to a potential hazard that could lead to serious personal injury or fatality.
	CAUTION! Draws attention to a potentially dangerous situation that could lead to minor personal injury or material damage.




1.2.2 Symbols in the documentation

The following symbols are used in this document:

	Read the operating instructions before use
	Instructions for use and other useful information

1.2.3 Symbols in the illustrations

The following symbols are used in illustrations:

	These numbers refer to the corresponding illustrations found at the beginning of these operating instructions.
3	The numbering reflects the sequence of operations shown in the illustrations and may deviate from the steps described in the text.
	Item reference numbers are used in the overview illustration and refer to the numbers used in the key in the product overview section.
	This symbol is intended to draw special attention to certain points when handling the product.

1.3 Product information

Hilti products are designed for professional use and may be operated, serviced and maintained only by trained, authorized personnel. This personnel must be informed of any particular hazards that may be encountered. The product and its ancillary equipment can present hazards if used incorrectly by untrained personnel or if used not in accordance with the intended use.

The type designation and serial number are stated on the rating plate.

- ▶ Write down the serial number in the table below. You will be required to state the product details when contacting Hilti Service or your local Hilti organization to inquire about the product.

Product information

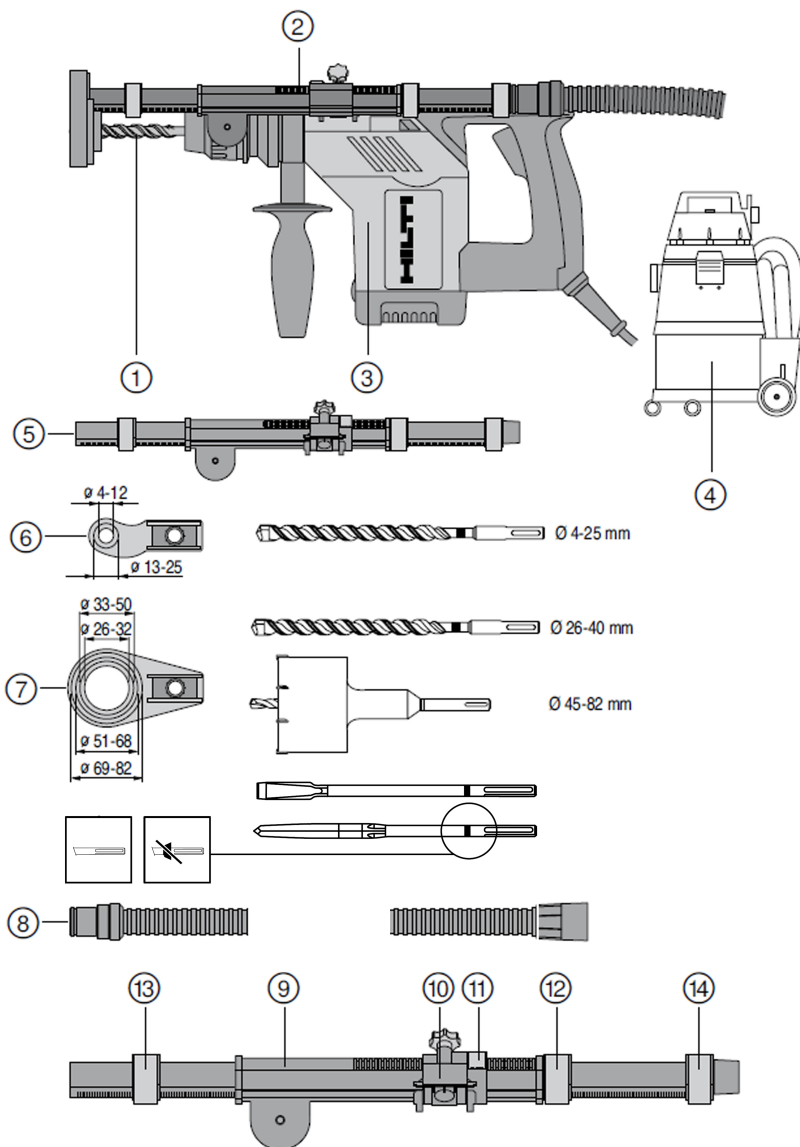
Dust removal module	TE DRS-S
Generation	01
Serial no.	

2.1 Safety instructions

- ▶ The user and persons in the vicinity must wear suitable protective goggles, a hard hat, protective gloves and protective footwear while the device is in use.
- ▶ Wear your personal protective equipment and always wear protective glasses. Depending on the type of power tool you are using and its purpose, wearing safety equipment such as a dust mask, slip-resistant safety shoes, a hard hat or hearing protection will reduce the risk of injury.
- ▶ If devices for dust extraction and collection can be connected, make sure these are connected and used correctly. The use of a dust extraction system can reduce dust-related hazards.
- ▶ Do not drill or chisel on hazardous materials (e.g. asbestos).
- ▶ Before beginning the work, check the hazard classification of the dust that will be produced.
- ▶ Make sure that the working area is well lit and well ventilated.
- ▶ Contact with or inhalation of the dust may cause allergic reactions and/or respiratory diseases among operators or bystanders.
- ▶ Stay alert, watch what you are doing and use common sense when working.
- ▶ Wear suitable work clothes.
- ▶ Use the product only within its specified limits.
- ▶ To help ensure safe and reliable operation, use only genuine Hilti spare parts and consumables.
- ▶ Use an antistatic suction hose in order to avoid electrostatic effects.

3 Description

3.1 Overview of the product



- | | | | |
|---|------------------------------|---|------------------------------|
| ① | Accessory tool | ⑧ | Hose |
| ② | Dust removal module TE DRS-S | ⑨ | Main unit |
| ③ | Device | ⑩ | Holder |
| ④ | Industrial vacuum cleaner | ⑪ | Holder locking lever |
| ⑤ | TE DRS-S telescopic tube | ⑫ | Length stop locking lever |
| ⑥ | Suction head, small | ⑬ | Depth gauge locking lever |
| ⑦ | Suction head, large | ⑭ | Hose connector locking lever |

3.2 Intended use

The TE DRS-S dust removal module is designed for working on mineral materials using rotary hammer drills and combihammers equipped with a depth gauge (max. drilling diameter 8 mm) in combination with a **Hilti** industrial vacuum cleaner. It complies with the OSHA 1926.1153, Table 1 Regulation.

It can be used in all working directions.

It may be used only for dry drilling work and in a dry environment.

It can be used for drilling and chiseling applications.

The dust removal module is not suitable for working on metal.

3.3 Items supplied

Dust removal module, operating instructions.

You can find other system products approved for your product at your local **Hilti** Center or online at: www.hilti.group.

4 Technical data

	TE DRS-S
Operating stroke	≤ 140 mm
Weight	0.5 kg
Length of drill bit / chisel	≤ 140 mm
Minimum performance rating of the industrial vacuum cleaner	≥ 800 W
Cylindrical connector (ø)	33.75 mm
Hose length	3 m ... 5 m
Hose diameter	36.5 mm

5 Operation

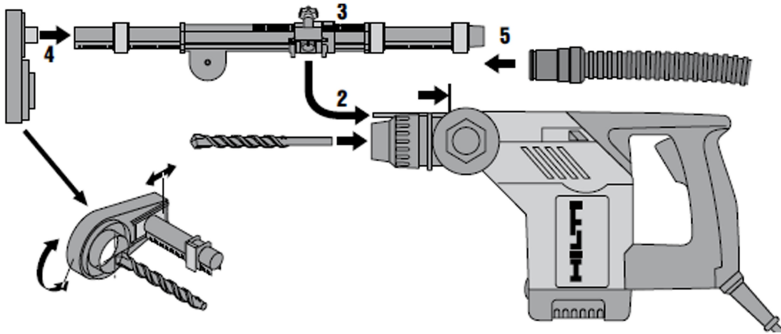
5.1 Operating the tool

- If the following conditions are met, also take this action:

Conditions: Vacuum cleaner with built-in power outlet for tools

- ▶ Connect the rotary hammer to the power outlet on the vacuum cleaner.
- Use the corresponding suction head.

5.2 Fitting the dust removal module



1. Fit the accessory tool (drill bit or chisel).
2. Adjust the depth gauge so that it does not project beyond the tip of the accessory tool.
3. Fit the dust removal module onto the depth gauge.
4. Slide the holder up to the side handle on the power tool.



Note

With long accessory tools, slide the dust removal module onto the depth gauge from the front end.
With short accessory tools, slide the dust removal module onto the depth gauge from the rear.

5. Tighten the screw on the holder so that the dust removal module lies against the side handle.
6. Adjust the suction head. → page 7
7. Connect the suction hose to the hose connector.

5.3 Removing the dust removal module

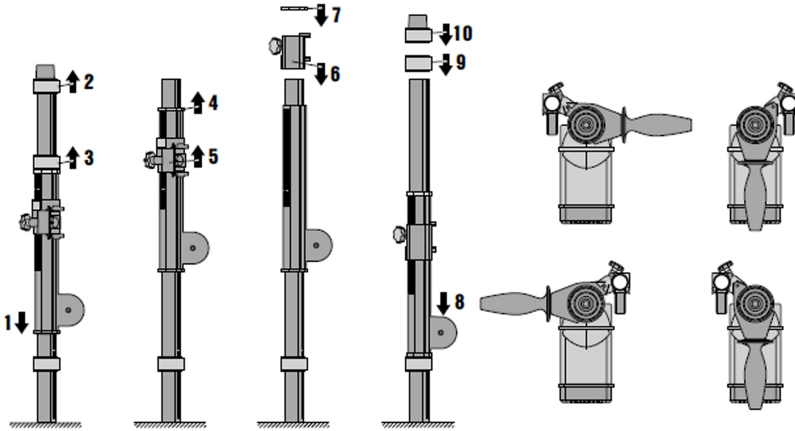
1. Release the hose locking lever and remove the hose.
2. Release the holder locking lever and remove the dust removal module.

5.4 Conversion for variable use



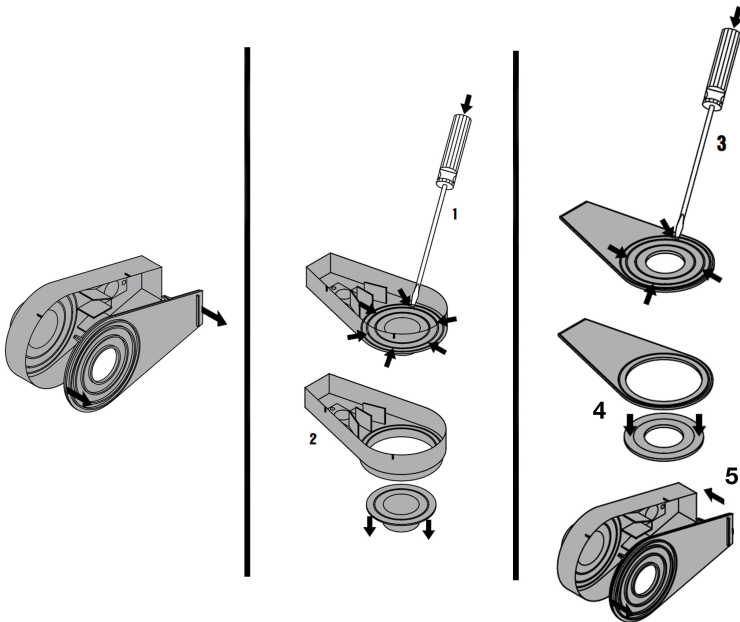
Note

There is a risk that parts may fly off under spring pressure when adjusting / converting the device.



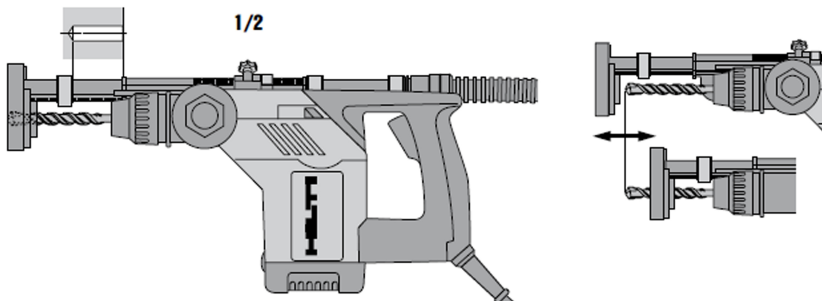
1. Slide the dust removal module down and hold it securely.
2. Open the hose connector locking lever and pull the hose off the hose connector.
3. Open the length stop locking lever and pull the length stop off.
4. Pull off the tensioning piece.
5. Open the holder clamping lever and push the holder off.
6. Turn the holder through 180° and then refit the holder to the dust removal module.
7. Close the holder locking lever.
8. Fit the tensioning piece onto the dust removal module.
9. Slide the dust removal module back and hold it securely.
10. Fit the length stop onto the dust removal module and then lock the length stop in position.
11. Connect the suction hose to the hose connector and then close the hose connector locking lever.

5.5 Breaking out the diameter rings



1. Detach the suction head from the dust removal module.
2. Remove the cover from the suction head.
3. Lay the casing of the suction head on a solid surface.
4. Use a screwdriver to break out the desired ribs completely.
5. Lay the casing of the suction head on a solid surface.
6. Use a screwdriver to break out the desired ribs completely at 4 rib positions.
7. Place the suction head cover in the suction head casing.
8. Fit the suction head to the dust removal module.
9. Adjust the suction head. → page 7

5.6 Adjusting the suction head



1. Open the holder locking lever.

- If the following conditions are met, also take this action:

Conditions: Drilling

- ▶ Position the drill bit with the tip flush with the edge of the suction head.

- If the following conditions are met, also take this action:

Conditions: Chiseling

- ▶ Position the chisel with the working face of the chisel and the chisel shank (10 mm) protruding from the suction head.



Note

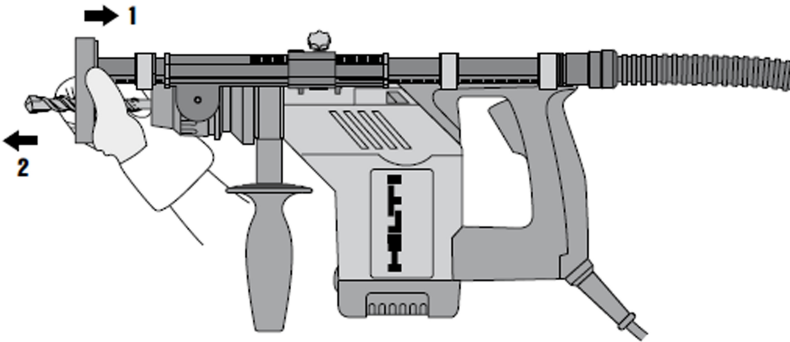
The gap between the chisel shank and the suction head casing must be at least 3 mm.

- Close the holder locking lever.

5.7 Setting the drilling depth

- Open the depth gauge / length stop locking lever.
- Adjust the depth gauge / length stop to the desired drilling depth.
- Close the depth gauge / length stop locking lever.

5.8 Centering the accessory tool



- Pull the dust removal module back.
- Bring the accessory tool into contact with the workpiece and then slowly release the dust removal module.

6 Care and maintenance



WARNING

Danger of electric shock! Carrying out care and maintenance while the supply cord is connected to the power outlet presents a risk of serious injuries including burns.

- ▶ Always unplug the supply cord before carrying out all care and maintenance tasks.


Care

- Carefully remove any dirt that may be adhering to parts.
- Clean the dust removal module with cold water at regular intervals.
- Use only a slightly damp cloth to clean the casing. Do not use cleaning agents containing silicone as these may attack the plastic parts.

Maintenance

- Check all visible parts at regular intervals for signs of damage and make sure that all controls function correctly.
- Do not operate the dust removal module if damage is found or if parts malfunction. Have the tool repaired by **Hilti** Service immediately.
- After cleaning and maintenance, fit all guards or protective devices and check that they function correctly.

7 Disposal

 Most of the materials from which **Hilti** tools and appliances are manufactured can be recycled. The materials must be correctly separated before they can be recycled. In many countries, your old tools, machines or appliances can be returned to **Hilti** for recycling. Ask **Hilti** Service or your Hilti representative for further information.



-
- ▶ Disposal of electric tools or appliances together with household waste is not permissible.
-

8 China RoHS (guideline on restriction of the use of dangerous substances)

The following link takes you to the table of dangerous substances: qr.hilti.com/340602.

You will find a link to the RoHS table, in the form of a QR code, at the end of this document.

9 Manufacturer's warranty

- ▶ Please contact your local **Hilti** representative if you have questions about the warranty conditions.





Hilti Corporation

LI-9494 Schaan

Tel.: +423/234 21 11

Fax: +423/234 29 65

www.hilti.group

Hilti = registered trademark of Hilti Corp., Schaan



20170801