

HILTI

DEG 500-D/ DEG 600-D/-P

Operating instructions

en

Mode d'emploi

fr

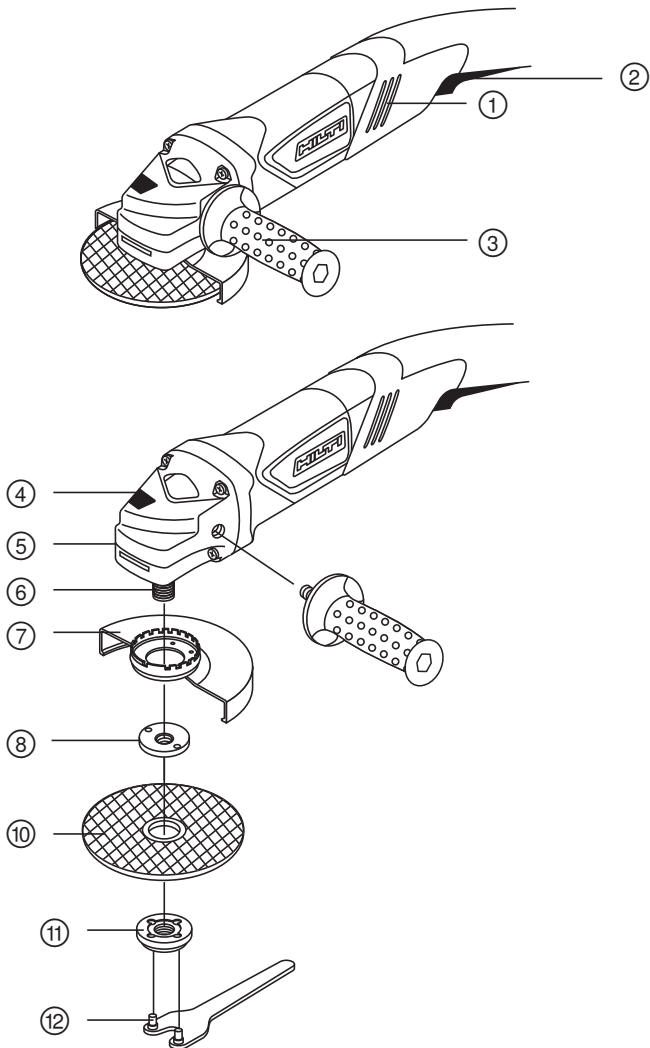
Manual de instrucciones

es

Manual de instruções

pt

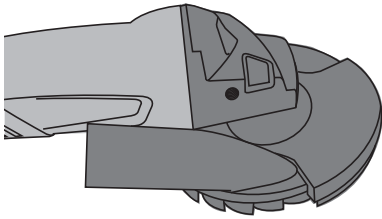




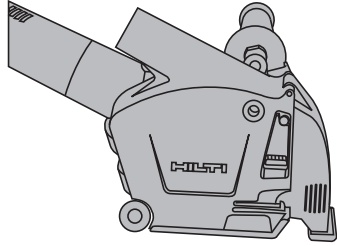
This Product is Certified
Ce produit est homologué
Producto homologado por
Este producto está registrado



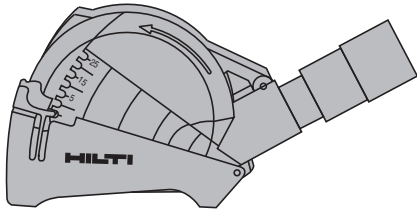
2



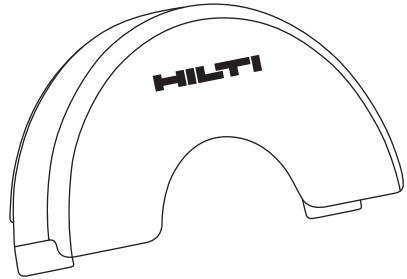
3



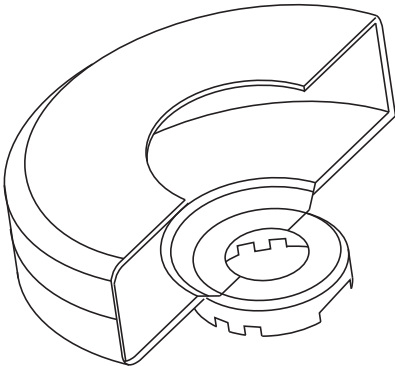
4



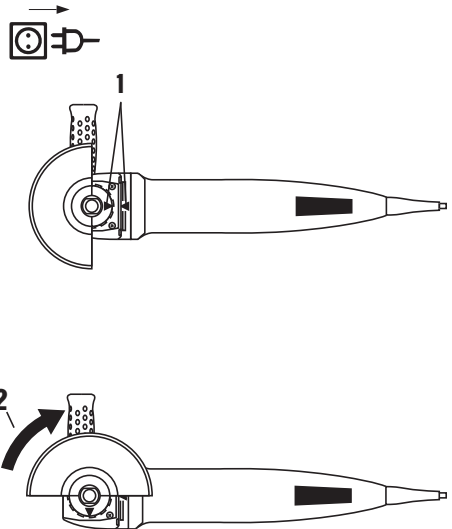
5



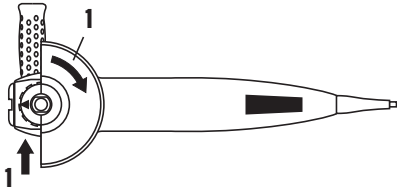
6



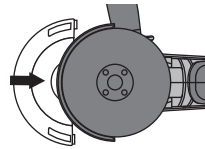
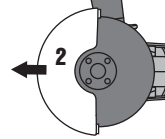
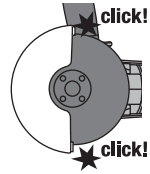
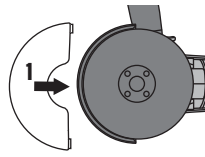
7



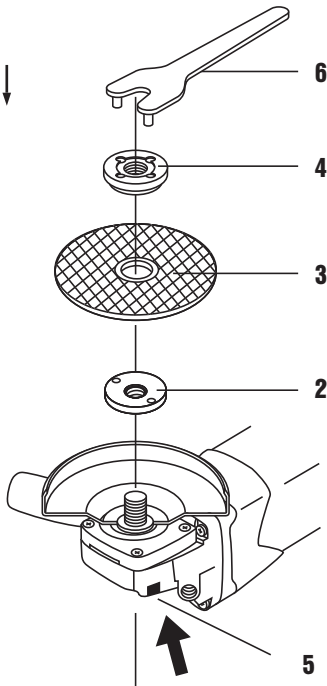
8



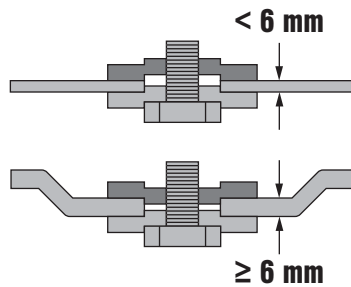
9



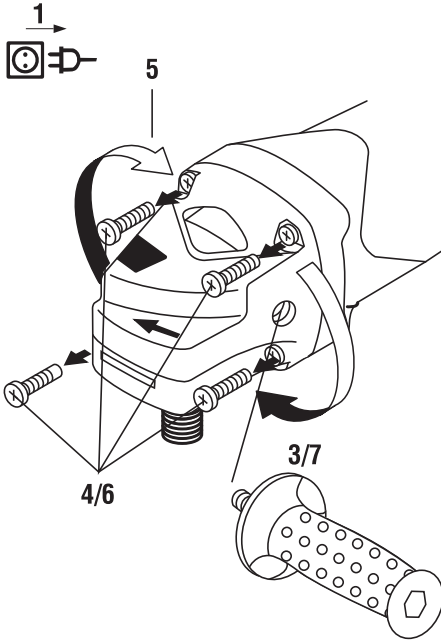
10



11



12



ORIGINAL OPERATING INSTRUCTIONS

DEG 500-D/DEG 600-D/-P angle grinder

It is essential that the operating instructions are read before the power tool is operated for the first time.

Always keep these operating instructions together with the power tool.

Ensure that the operating instructions are with the power tool when it is given to other persons.

Contents	Page
1 General information	1
2 Description	2
3 Consumables	5
4 Technical data	6
5 Safety instructions	6
6 Before use	11
7 Operation	12
8 Care and maintenance	13
9 Troubleshooting	14
10 Disposal	14
11 Manufacturer's warranty - tools	14

1 These numbers refer to the corresponding illustrations. The illustrations can be found on the fold-out cover pages. Keep these pages open while studying the operating instructions.

In these operating instructions, the designation "the power tool" always refers to the DEG 500 or DEG 600 angle grinder.

Operating controls and parts **1**

- ① Ventilation slots
- ② On / off switch (hold to run)
- ③ Vibration-absorbing side handle
- ④ Spindle lockbutton
- ⑤ Guard release button
- ⑥ Spindle
- ⑦ Guard
- ⑧ Clamping flange
- ⑨ Abrasive cutting disc / abrasive grinding disc
- ⑩ Clamping nut
- ⑪ Wrench

en

1 General information

1.1 Safety notices and their meaning

DANGER

Draws attention to imminent danger that will lead to serious bodily injury or fatality.

WARNING

Draws attention to a potentially dangerous situation that could lead to serious personal injury or fatality.

CAUTION

Draws attention to a potentially dangerous situation that could lead to slight personal injury or damage to the equipment or other property.

NOTE

Draws attention to an instruction or other useful information.

1.2 Explanation of the pictograms and other information

Warning signs



General warning



Warning: electricity



Warning: hot surface

Obligation signs



Wear eye protection



Wear a hard hat



Wear ear protection



Wear protective gloves



Wear breathing protection

Symbols



Read the operating instructions before use



Return waste material for recycling.



Volts



Amps



Alternating current



Rated speed



Revolutions per minute



Revolutions per minute



Diameter



Double insulated

Location of identification data on the power tool

The type designation, item number, year of manufacture and technical status can be found on the type identification plate on the machine or tool. The serial no. can be found on the left side of the motor housing. Make a note of this data in your operating instructions and always refer to it when making an enquiry to your Hilti representative or service department.

Type: _____

Serial no.: _____

2 Description

2.1 Use of the product as directed

The power tool is designed for cutting, grinding and brushing metal and mineral materials without use of water. Use of a guide carriage is mandatory for cutting stone.

The working environment may be as follows: construction site, workshop, renovation, conversion or new construction. The power tool may be operated only when connected to a power supply providing a voltage and frequency in compliance with the information given on its type identification plate.

Working with metals: Cutting, grinding, brushing.

Working with mineral materials: Cutting and slitting using the corresponding guard (DC-EX), grinding using the corresponding guard (DG-EX).

Use only discs (abrasive grinding discs, abrasive cutting discs, etc.) that are approved for use at a speed of at least 11000/min, with a maximum thickness of 1/4" (grinding discs) or 1/8" (cutting discs) and a diameter of maximum 5" or, respectively, 6".

Use only synthetic resin-bonded, fiber-reinforced grinding discs or cutting discs approved for use at a permissible peripheral speed of at least 80 m/sec.

The tool may be used only for dry cutting or grinding.

When grinding stone, a vacuum cleaner equipped with a stone dust filter, e.g. a suitable Hilti vacuum cleaner, must be used.

Working on materials hazardous to the health (e.g. asbestos) is not permissible.

Nationally applicable industrial safety regulations must be observed.

Take the influences of the surrounding area into account. Do not use the power tool or appliance where there is a risk of fire or explosion.

To avoid the risk of injury, use only genuine Hilti accessories and insert tools.

Observe the information printed in the operating instructions concerning operation, care and maintenance.

The power tool is designed for professional use and may be operated, serviced and maintained only by trained, authorized personnel. This personnel must be informed of any special hazards that may be encountered. The power tool and its ancillary equipment may present hazards when used incorrectly by untrained personnel or when used not as directed.

Modification of the power tool or tampering with its parts is not permissible.

2.2 Switches

On / off switch (hold to run)

2.3 The items supplied in the cardboard box are:

- 1 Power tool with guard
- 1 Guard
- 1 Side handle
- 1 Clamping flange
- 2 Clamping nut
- 1 Wrench
- 1 Operating instructions
- 1 Cardboard box

2.4 Starting current limitation

The electronic starting current limiter reduces the starting current drawn by the tool and thus prevents the mains fuse blowing. It also allows the tool to start smoothly, without a jolt.

2.5 Constant-speed electronics

Electronic speed control keeps running speed almost constant irrespective of whether the tool is idling or running under load. Constant running speed helps ensure maximum efficiency.

2.6 ATC (Active Torque Control)

The electronics of the tool detects situations where the tool body begins to move too quickly and prevents further rotation of the drive spindle by switching the tool off (does not prevent kickback). The switch must be released and pressed again to restart the tool.

2.7 Restart interlock

The tool does not restart by itself when the switch is locked in the “on” position and the power returns after an interruption in the electric supply. The switch must first be released and then pressed again to restart.

2.8 Temperature-dependent motor protection

The temperature-dependent motor protection system prevents the tool overheating by monitoring current input and motor temperature.

In the event of motor overload due to application of excessive pressure to the disc, performance will drop noticeably or the tool may stop running (avoid stalling the tool in this way).

Permissible tool overload cannot be given as a specific value as it depends on the temperature of the motor.

In the event of the tool being overloaded, release the pressure applied and allow the tool to run under no load for approx. 30 seconds.

2.9 Using extension cords

Use only extension cords of a type approved for the application and with conductors of adequate cross section. The power tool may otherwise lose performance and the extension cord may overheat. Check the extension cord for damage at regular intervals. Replace damaged extension cords.

Recommended minimum conductor cross section and max. cable lengths

Conductor cross section	14 AWG	12 AWG
Mains voltage 110-120 V	75 ft	125 ft

Do not use extension cords with 16 AWG conductor cross section.

2.10 Using extension cords outdoors

When working outdoors, use only extension cords that are approved and correspondingly marked for this application.

2.11 Using a generator or transformer

This power tool may be powered by a generator or transformer when the following conditions are fulfilled: The unit must provide a power output in watts of at least twice the value printed on the type identification plate on the power tool. The operating voltage must remain within +5% and -15% of the rated voltage at all times, frequency must be in the 50 – 60 Hz range and never above 65 Hz, and the unit must be equipped with automatic voltage regulation and starting boost.

Never operate other power tools or appliances from the generator or transformer at the same time. Switching other power tools or appliances on and off may cause undervoltage and / or overvoltage peaks, resulting in damage to the power tool.

2.12 DG-EX 125/5" dust removal hood for grinding 2

The tool is suitable only for occasional use with diamond cup wheels for grinding mineral materials.

CAUTION

Use of this guard for working on metal is not permissible.

NOTE

It is recommended that a dust removal system consisting of matched components, i.e. dust removal hood and a suitable Hilti vacuum cleaner, are used for grinding mineral materials, such as concrete or stone. These serve to protect the operator and increase the life of the power tool and disc used.

2.13 DC-EX 125/5"-M dust removal hood with guide carriage for cutting and slitting 3

Cutting and slitting work on mineral materials may be carried out only when the power tool is equipped with a dust removal hood with guide carriage.

CAUTION

Use of this guard for working on metal is not permissible.

NOTE

It is recommended that a dust removal system consisting of matched components, i.e. dust removal hood and a suitable Hilti vacuum cleaner, are used for cutting and slitting mineral materials, such as concrete or stone. These serve to protect the operator and increase the life of the power tool and disc used.

2.14 DC-EX 125/5"-C compact dust removal hood for cutting 4

For cutting masonry and concrete.

CAUTION

Use of this guard for working on metal is not permissible.

NOTE

It is recommended that a dust removal system consisting of matched components, i.e. dust removal hood and a suitable Hilti vacuum cleaner, are used for cutting and slitting mineral materials, such as concrete or stone. These serve to protect the operator and increase the life of the power tool and disc used.

2.15 Guard with side cover 5

CAUTION

When grinding with straight grinding discs and cutting with cutting discs in metalworking applications, use the guard with cover plate.

2.16 Front cover for the guard (DEG 500-D)

CAUTION

When grinding with straight grinding discs and cutting with cutting discs in metalworking applications, use the guard with front cover.

3 Consumables

Discs with a max. diameter of 125 mm / 5", for a speed of 11000/min, discs with a max. diameter of 150 mm / 6", for a speed of 9300/min and a peripheral speed of 80 m/sec, and a max. disc thickness of 1/4" (abrasive grinding discs) or 1/8" (abrasive cutting discs).

Discs	Application	Designation	Material
Abrasive cutting disc	Cutting	AC-D	metal
Diamond cutting disc	Cutting	DC-D	mineral
Abrasive grinding disc	Rough grinding	AG-D, AF-D, AN-D	metal
Diamond grinding disc	Rough grinding	DG-CW	mineral
Wire brushes	Wire brushes	3CS, 4CS, 3SS, 4SS	metal

Assignment of discs to the DEG 500-D equipment to be used

Item	Equipment	AC-D	AG-D	AF-D	AN-D	DG-CW	DC-D	3CS/3SS/4CS/4SS
A	Guard	X	X	X	X	X	X	X
B	Front cover (in combination with A)	X	-	-	-	-	X	-
C	Guard with cover plate (optional for A, B)	X	-	-	-	-	X	-
D	DG-EX 125/5" surface guard	-	-	-	-	X	-	-
E	DC-EX 125/5" compact guard	-	-	-	-	-	X	-
F	DG-EX 125/5"M mineral cutting guard	-	-	-	-	-	X	-
G	DC-EX SL cutting adapter	-	-	-	-	-	X	-
H	Side handle	X	X	X	X	X	X	X
I	DC BG 125 hoop handle (optional for H)	X	X	X	X	X	X	X
K	Clamping nut (not for use with accessories with integrated thread)	X	X	X	X	X	X	-
L	Clamping flange (not for use with accessories with integrated thread)	X	X	X	X	X	X	-

Assignment of discs to the DEG 600-D/-P equipment to be used

Item	Equipment	AC-D	AG-D	AF-D	AN-D	DG-CW	DC-D	3CS/3SS/4CS/4SS
A	Guard	-	X	X	X	X	X	X

Item	Equipment	AC-D	AG-D	AF-D	AN-D	DG-CW	DC-D	3CS/3SS/4CS/4SS
B	Guard with cover plate (optional for A)	X	-	-	-	-	X	-
C	Side handle	X	X	X	X	X	X	X
D	DC BG 125 hoop grip (optional for C)	X	X	X	X	X	X	X
E	Clamping nut (not for use with accessories with integrated thread)	X	X	X	X	X	X	-
F	Clamping flange (not for use with accessories with integrated thread)	X	X	X	X	X	X	-

4 Technical data

Right of technical changes reserved.

Tool	DEG 500-D	DEG 600-D/-P
Rated current input	Rated voltage 120 V: 11.5 A	Rated voltage 120 V: 11.5 A
Rated frequency	60 Hz	60 Hz
Rated speed	11,000/min	9,300/min
Abrasive cutting discs (Ø)	125 mm (5")	150 mm (6")
Dimensions (L x H x W) without hood	360 mm (14.17") x 103 mm (4.06") x 80 mm (3.15")	360 mm (14.17") x 103 mm (4.06") x 80 mm (3.15")
Weight without accessories	1.9 kg (4.19 lb)	1.9 kg (4.19 lb)

Other information about the power tool

Drive spindle thread (arbor size)	5/8"-11 UNC
Spindle length	6/8"
Protection class	Protection class II (double insulated)

5 Safety instructions

NOTE

The safety rules in section 5.1 contain all general safety rules for power tools which, in accordance with the applicable standards, require to be listed in the operating instructions. Accordingly, some of the rules listed may not be relevant to this tool.

5.1 General Power Tool Safety Warnings

a)  **WARNING**

Read all safety warnings and instructions. Failure to follow the warnings and instructions may result in electric shock, fire and/or serious injury. **Save all warnings and instructions for future reference.** The term "power tool" in the warnings refers to your mains-operated (corded) power tool or battery-operated (cordless) power tool.

5.1.1 Work area safety

- Keep work area clean and well lit.** Cluttered or dark areas invite accidents.
- Do not operate power tools in explosive atmospheres, such as in the presence of flammable liquids, gases or dust.** Power tools create sparks which may ignite the dust or fumes.
- Keep children and bystanders away while operating a power tool.** Distractions can cause you to lose control.

5.1.2 Electrical safety

- Power tool plugs must match the outlet. Never modify the plug in any way. Do not use any adapter plugs with earthed (grounded) power tools.** Un-

modified plugs and matching outlets will reduce risk of electric shock.

- b) **Avoid body contact with earthed or grounded surfaces such as pipes, radiators, ranges and refrigerators.** There is an increased risk of electric shock if your body is earthed or grounded.
- c) **Do not expose power tools to rain or wet conditions.** Water entering a power tool will increase the risk of electric shock.
- d) **Do not abuse the cord. Never use the cord for carrying, pulling or unplugging the power tool. Keep cord away from heat, oil, sharp edges or moving parts.** Damaged or entangled cords increase the risk of electric shock.
- e) **When operating a power tool outdoors, use an extension cord suitable for outdoor use.** Use of a cord suitable for outdoor use reduces the risk of electric shock.
- f) **If operating a power tool in a damp location is unavoidable, use a residual current device (RCD) protected supply.** Use of an RCD reduces the risk of electric shock.

5.1.3 Personal safety

- a) **Stay alert, watch what you are doing and use common sense when operating a power tool. Do not use a power tool while you are tired or under the influence of drugs, alcohol or medication.** A moment of inattention while operating power tools may result in serious personal injury.
- b) **Use personal protective equipment. Always wear eye protection.** Protective equipment such as dust mask, non-skid safety shoes, hard hat, or hearing protection used for appropriate conditions will reduce personal injuries.
- c) **Prevent unintentional starting. Ensure the switch is in the off-position before connecting to power source and/or battery pack, picking up or carrying the tool.** Carrying power tools with your finger on the switch or energising power tools that have the switch on invites accidents.
- d) **Remove any adjusting key or wrench before turning the power tool on.** A wrench or a key left attached to a rotating part of the power tool may result in personal injury.
- e) **Do not overreach. Keep proper footing and balance at all times.** This enables better control of the power tool in unexpected situations.
- f) **Dress properly. Do not wear loose clothing or jewellery. Keep your hair, clothing and gloves away from moving parts.** Loose clothes, jewellery or long hair can be caught in moving parts.
- g) **If devices are provided for the connection of dust extraction and collection facilities, ensure these are connected and properly used.** Use of dust collection can reduce dust-related hazards.

5.1.4 Power tool use and care

- a) **Do not force the power tool. Use the correct power tool for your application.** The correct power tool will do the job better and safer at the rate for which it was designed.

- b) **Do not use the power tool if the switch does not turn it on and off.** Any power tool that cannot be controlled with the switch is dangerous and must be repaired.
- c) **Disconnect the plug from the power source and/or the battery pack from the power tool before making any adjustments, changing accessories, or storing power tools.** Such preventive safety measures reduce the risk of starting the power tool accidentally.
- d) **Store idle power tools out of the reach of children and do not allow persons unfamiliar with the power tool or these instructions to operate the power tool.** Power tools are dangerous in the hands of untrained users.
- e) **Maintain power tools. Check for misalignment or binding of moving parts, breakage of parts and any other condition that may affect the power tool's operation.** If damaged, have the power tool repaired before use. Many accidents are caused by poorly maintained power tools.
- f) **Keep cutting tools sharp and clean.** Properly maintained cutting tools with sharp cutting edges are less likely to bind and are easier to control.
- g) **Use the power tool, accessories and tool bits etc. in accordance with these instructions taking into account the working conditions and the work to be performed.** Use of the power tool for operations different from those intended could result in a hazardous situation.

5.1.5 Service

- a) **Have your power tool serviced by a qualified repair person using only identical replacement parts.** This will ensure that the safety of the power tool is maintained.

5.2 Safety warnings common for grinding, sanding, wire brushing, polishing or abrasive cutting-off operations

- a) **This power tool is intended to function as a grinder, sander, wire brush or cut-off tool. Read all safety warnings, instructions, illustrations and specifications provided with this power tool.** Failure to follow all instructions listed below may result in electric shock, fire and/or serious injury.
- b) **Operations such polishing are not recommended to be performed with this power tool.** Operations for which the power tool was not designed may create a hazard and cause personal injury.
- c) **Do not use accessories which are not specifically designed and recommended by the tool manufacturer.** Just because the accessory can be attached to your power tool, it does not assure safe operation.
- d) **The rated speed of the accessory must be at least equal to the maximum speed marked on the power tool.** Accessories running faster than their rated speed can break and fly apart.
- e) **The outside diameter and the thickness of your accessory must be within the capacity rating of**

your power tool. Incorrectly sized accessories cannot be adequately guarded or controlled.

- f) **Threaded mounting of accessories must match the grinder spindle thread. For accessories mounted by flanges, the arbour hole of the accessory must fit the locating diameter of the flange.** Accessories that do not match the mounting hardware of the power tool will run out of balance, vibrate excessively and may cause loss of control.
- g) **Do not use a damaged accessory. Before each use inspect the accessory such as abrasive wheels for chips and cracks, backing pad for cracks, tear or excess wear, wire brush for loose or cracked wires. If power tool or accessory is dropped, inspect for damage or install an undamaged accessory. After inspecting and installing an accessory, position yourself and bystanders away from the plane of the rotating accessory and run the power tool at maximum no-load speed for one minute.** Damaged accessories will normally break apart during this test time.
- h) **Wear personal protective equipment. Depending on application, use face shield, safety goggles or safety glasses. As appropriate, wear dust mask, hearing protectors, gloves and workshop apron capable of stopping small abrasive or workpiece fragments. The eye protection must be capable of stopping flying debris generated by various operations.** The eye protection must be capable of stopping flying debris generated by various operations. The dust mask or respirator must be capable of filtrating particles generated by your operation. Prolonged exposure to high intensity noise may cause hearing loss.
- i) **Keep bystanders a safe distance away from work area. Anyone entering the work area must wear personal protective equipment.** Fragments of workpiece or of a broken accessory may fly away and cause injury beyond immediate area of operation.
- j) **Hold the power tool by insulated gripping surfaces only, when performing an operation where the cutting accessory may contact hidden wiring or its own cord.** Cutting accessory contacting a "live" wire may make exposed metal parts of the power tool "live" and could give the operator an electric shock.
- k) **Position the cord clear of the spinning accessory.** If you lose control, the cord may be cut or snagged and your hand or arm may be pulled into the spinning accessory.
- l) **Never lay the power tool down until the accessory has come to a complete stop.** The spinning accessory may grab the surface and pull the power tool out of your control.
- m) **Do not run the power tool while carrying it at your side.** Accidental contact with the spinning accessory could snag your clothing, pulling the accessory into your body.
- n) **Regularly clean the power tool's air vents.** The motor's fan will draw the dust inside the housing

and excessive accumulation of powdered metal may cause electrical hazards.

- o) **Do not operate the power tool near flammable materials.** Sparks could ignite these materials.
- p) **Do not use accessories that require liquid coolants.** Using water or other liquid coolants may result in electrocution or shock.

5.3 Kickback and related warnings

Kickback is a sudden reaction to a pinched or snagged rotating wheel, backing pad, brush or any other accessory. Pinching or snagging causes rapid stalling of the rotating accessory which in turn causes the uncontrolled power tool to be forced in the direction opposite of the accessory's rotation at the point of the binding.

For example, if an abrasive wheel is snagged or pinched by the workpiece, the edge of the wheel that is entering into the pinch point can dig into the surface of the material causing the wheel to climb out or kick out. The wheel may either jump toward or away from the operator, depending on direction of the wheel's movement at the point of pinching. Abrasive wheels may also break under these conditions.

Kickback is the result of power tool misuse and/or incorrect operating procedures or conditions and can be avoided by taking proper precautions as given below.

- a) **Maintain a firm grip on the power tool and position your body and arm to allow you to resist kickback forces. Always use auxiliary handle, if provided, for maximum control over kickback or torque reaction during start-up.** The operator can control torque reactions or kickback forces, if proper precautions are taken.
- b) **Never place your hand near the rotating accessory.** Accessory may kickback over your hand.
- c) **Do not position your body in the area where power tool will move if kickback occurs.** Kickback will propel the tool in direction opposite to the wheel's movement at the point of snagging.
- d) **Use special care when working corners, sharp edges etc. Avoid bouncing and snagging the accessory.** Corners, sharp edges or bouncing have a tendency to snag the rotating accessory and cause loss of control or kickback.
- e) **Do not attach a saw chain woodcarving blade or toothed saw blade.** Such blades create frequent kickback and loss of control.

5.4 Safety warnings specific for grinding and abrasive cutting-off operations

- a) **Use only wheel types that are recommended for your power tool and the specific guard designed for the selected wheel.** Wheels for which the power tool was not designed cannot be adequately guarded and are unsafe.
- b) **The grinding surface of centre depressed wheels must be mounted below the plane of the guard lip.** An improperly mounted wheel that projects through

the plane of the guard lip cannot be adequately protected.

- c) **The guard must be securely attached to the power tool and positioned for maximum safety, so the least amount of wheel is exposed towards the operator.** The guard helps to protect operator from broken wheel fragments, accidental contact with wheel and sparks that could ignite clothing.
- d) **Wheels must be used only for recommended applications. For example: do not grind with the side of cut-off wheel.** Abrasive cut-off wheels are intended for peripheral grinding, side forces applied to these wheels may cause them to shatter.
- e) **Always use undamaged wheel flanges that are of correct size and shape for your selected wheel.** Proper wheel flanges support the wheel thus reducing the possibility of wheel breakage. Flanges for cut-off wheels may be different from grinding wheel flanges.
- f) **Do not use worn down wheels from larger power tools.** Wheel intended for larger power tool is not suitable for the higher speed of a smaller tool and may burst.

5.5 Additional safety warnings specific for abrasive cutting-off operations

- a) **Do not "jam" the cut-off wheel or apply excessive pressure. Do not attempt to make an excessive depth of cut.** Overstressing the wheel increases the loading and susceptibility to twisting or binding of the wheel in the cut and the possibility of kickback or wheel breakage.
- b) **Do not position your body in line with and behind the rotating wheel.** When the wheel, at the point of operation, is moving away from your body, the possible kickback may propel the spinning wheel and the power tool directly at you.
- c) **When wheel is binding or when interrupting a cut for any reason, switch off the power tool and hold the power tool motionless until the wheel comes to a complete stop. Never attempt to remove the cut-off wheel from the cut while the wheel is in motion otherwise kickback may occur.** Investigate and take corrective action to eliminate the cause of wheel binding.
- d) **Do not restart the cutting operation in the workpiece. Let the wheel reach full speed and carefully re-enter the cut.** The wheel may bind, walk up or kickback if the power tool is restarted in the workpiece.
- e) **Support panels or any oversized workpiece to minimize the risk of wheel pinching and kickback.** Large workpieces tend to sag under their own weight. Supports must be placed under the workpiece near the line of cut and near the edge of the workpiece on both sides of the wheel.
- f) **Use extra caution when making a "pocket cut" into existing walls or other blind areas.** The protruding wheel may cut gas or water pipes, electrical wiring or objects that can cause kickback.

5.6 Safety warnings specific for wire brushing operations

- a) **Be aware that wire bristles are thrown by the brush even during ordinary operation. Do not overstress the wires by applying excessive load to the brush.** The wire bristles can easily penetrate light clothing and/or skin.
- b) **If the use of a guard is recommended for wire brushing, do not allow any interference of the wire wheel or brush with the guard.** Wire wheel or brush may expand in diameter due to work load and centrifugal forces.

5.7 Additional safety instructions

5.7.1 Personal safety

- a) **Always hold the tool securely with both hands on the grips provided. Keep the grips dry, clean and free from oil and grease.**
- b) **Breathing protection must be worn if the power tool is used without a dust extraction system for work that creates dust.**
- c) **Improve the blood circulation in your fingers by relaxing your hands and exercising your fingers during breaks between working.**
- d) **Avoid touching rotating parts. Switch the power tool on only after bringing it into position at the workpiece.** Touching rotating parts, especially rotating drill bits, discs or blades, etc. may lead to injury.
- e) **Always lead the supply cord and extension cord away from the power tool to the rear while working.** This helps to avoid tripping over the cord while working.
- f) **Children must be instructed not to play with the power tool.**
- g) **The power tool is not intended for use by children, by debilitated persons or those who have received no instruction or training.**
- h) **WARNING: Some dust created by grinding, sanding, cutting and drilling contains chemicals known to cause cancer, birth defects, infertility or other reproductive harm; or serious and permanent respiratory or other injury.** Some examples of these chemicals are: lead from lead-based paints, crystalline silica from bricks, concrete and other masonry products and natural stone, arsenic and chromium from chemically-treated lumber. Your risk from these exposures varies, depending on how often you do this type of work. **To reduce exposure to these chemicals, the operator and bystanders should work in a well-ventilated area, work with approved safety equipment, such as respiratory protection appropriate for the type of dust generated, and designed to filter out microscopic particles and direct dust away from the face and body. Avoid prolonged contact with dust. Wear protective clothing and wash exposed areas with soap and water.** Allowing dust to get into your mouth, eyes, or to remain on your skin may promote absorption of harmful chemicals.

5.7.2 Power tool use and care

- a) Grinding discs must be stored and handled carefully in accordance with the manufacturer's instructions.
- b) Check that the grinding disc is fitted in accordance with the manufacturer's instructions.
- c) If use of a spacer ring or other intermediate part is specified and the part is supplied with the grinding disc, check to ensure that the part is fitted.
- d) Never use the power tool without its matching disc guard.
- e) The workpiece must be fixed securely in place.
- f) Before use, check that the cutting or grinding disc has been fitted correctly and the clamping nut tightened. Then allow the power tool to run for 30 seconds under no load while holding it securely. Switch off the power tool immediately if significant vibration or any other faults are noticed. Should this occur, examine the power tool in order to determine the cause.
- g) Do not use cutting discs for grinding.
- h) Do not use type 27 grinding discs with integrated clamping nut.
- i) After disc breakage, or if the power tool is dropped, falls or suffers other mechanical damage, it must be checked at a Hilti Service Center.
- j) Take steps to ensure that flying sparks from the tool do not present a hazard, i.e. by striking yourself or other persons or by igniting inflammable substances. Adjust the position of the disc guard accordingly.
- k) In case of an interruption in the electric supply: Switch the power tool off and unplug the supply cord. This will prevent accidental restarting when the electric power returns.

5.7.3 Electrical safety



- a) Before beginning work, check the working area (e.g. using a metal detector) to ensure that no concealed electric cables or gas and water pipes are present. External metal parts of the power tool may become live, for example, when an electric cable

is damaged accidentally. This presents a serious risk of electric shock.

- b) Check the power tool's supply cord at regular intervals and have it replaced by a qualified specialist if found to be damaged. If the power tool's supply cord is damaged it must be replaced with a specially-prepared supply cord available from Hilti Customer Service. Check extension cords at regular intervals and replace them if found to be damaged. Do not touch the supply cord or extension cord if it is damaged while working. Disconnect the supply cord plug from the power outlet. Damaged supply cords or extension cords present a risk of electric shock.
- c) Dirty or dusty power tools which have been used frequently for work on conductive materials should be checked at regular intervals at a Hilti Service Center. Under unfavorable circumstances, dampness or dust adhering to the surface of the power tool, especially dust from conductive materials, may present a risk of electric shock.
- d) When working outdoors with an electric tool check to ensure that the tool is connected to the electric supply by way of a ground fault circuit interrupter (GFCI) with a rating of max. 30 mA (tripping current). Use of a ground fault circuit interrupter reduces the risk of electric shock.
- e) Use of a ground fault circuit interrupter (GFCI) with a maximum tripping current of 30 mA is recommended.

5.7.4 Work area

- a) Ensure that the workplace is well lit.
- b) Ensure that the workplace is well ventilated. Exposure to dust at a poorly ventilated workplace may result in damage to the health.

5.7.5 Personal protective equipment



The user and any other persons in the vicinity must wear ANSI Z87.1-approved eye protection, a hard hat, ear protection, protective gloves and breathing protection while the power tool is in use.

6 Before use



WARNING

Never use the power tool without its matching disc guard.

DANGER

Disconnect the plug from the power source before making any adjustments, changing accessories, or storing the tool. Such preventive safety measures reduce the risk of starting the tool accidentally.

CAUTION

Wear gloves when fitting or removing parts, when making adjustments or when remedying malfunctions.

6.1 Fitting the side handle

WARNING

The side handle must be fitted for all types of work.

The side handle may be screwed onto the power tool on the right or left.

6.2 Guard

CAUTION

Adjust the position of the guard to suit the requirements of the work being done.

CAUTION

The closed side of the guard must always face the operator.

6.2.1 Fitting the guard or guard with cover plate 7

NOTE

The guard is equipped with locating lugs that ensure only guards of a type suitable for use with the power tool can be fitted. The locating lugs of the guard fit into the guard mount on the power tool.

1. Fit the guard onto the drive spindle collar so that the two triangular marks on the guard and on the power tool are in alignment.
2. Press the guard onto the drive spindle collar; press the guard release button and then rotate the guard until it engages and the guard release button jumps back to its outset position.

6.2.2 Adjusting the guard 8

1. Press the guard release button and then rotate the guard until it engages in the desired position.

6.2.3 Removing the guard or guard with cover plate

1. Press the guard release button and then rotate the guard until the triangular marks on the guard and the power tool are in alignment.

2. Lift off the guard.

6.2.4 Fitting and removing the front cover (DEG 500-P) 9

1. Press the front cover onto the standard guard, with the closed side positioned as shown in the illustration, until it engages.
2. To remove the front cover, release the catch and then pull the front cover away from the standard guard.

6.3 Fitting and removing the disc 10 11

CAUTION

Wear gloves when fitting or removing parts, when making adjustments or when remedying malfunctions.

DANGER

Check that the speed rating printed on the grinding disc is equal to or higher than the rated speed of the tool.

DANGER

Check the condition of the grinding disc before use. Do not use discs that are broken, cracked or damaged in any way.

NOTE

Diamond discs must be replaced when the cutting or grinding performance drops significantly. This generally is the case when the segments reach a height of less than $\frac{1}{16}$ ". Other discs must be replaced when the cutting performance drops significantly or other parts of the angle grinder (not the disc) come into contact with the material you are working on. Abrasive discs generally have to be replaced when the durability date has been reached.

1. Clean the clamping flange.
2. Fit the clamping flange onto the drive spindle.
3. Fit the insert tool.
4. Screw on the clamping nut corresponding to the type of disc fitted 11.
5. **CAUTION Do not press the spindle lockbutton before the drive spindle has stopped rotating.** Press the spindle lockbutton and hold it in this position.
6. Use the wrench to tighten the clamping nut securely and then release the spindle lockbutton.
7. To remove the module from the power tool, follow the instructions for fitting the module but carry out the steps in the reverse order.

6.4 Fitting and removing accessories (e.g. discs, brushes) with integrated thread

1. Screw the accessory onto the drive spindle.
2. **CAUTION Do not press the spindle lockbutton before the drive spindle has stopped rotating.** Press the spindle lockbutton and hold it in this position.

3. Use the open-end wrench to tighten the accessory securely and then release the spindle lockbutton.
4. To remove this, follow the instructions for fitting the module but carry out the steps in the reverse order.

6.5 Rotating the gearing section

NOTE

To allow the power tool to be used safely and without fatigue in all positions (e.g. on / off switch facing upwards),

the gearing section can be rotated to one of four positions at 90° intervals.

1. Disconnect the supply cord plug from the power outlet.
2. Clean the power tool.
3. Remove the side handle from the power tool.
4. Remove the four screws from the gearing section.
5. Rotate the gearing section to the desired position without pulling it away from the power tool.
6. Secure the gearing section by inserting and tightening the four screws.
7. Fit the side handle.

en

7 Operation



NOTE

Adjust the position of the guard to suit the requirements of the work being done.

DANGER

Wear ear protectors. Exposure to noise can cause hearing loss.

WARNING

Test new cutting or grinding discs by allowing them to run at maximum speed in a protected area for at least 60 seconds.

WARNING

Slits cut in loadbearing walls of buildings or other structures may influence the statics of the structure, especially when steel reinforcing bars or load-bearing components are cut through. **Consult the structural engineer, architect, or person in charge of the building project before beginning the work.**

WARNING

The electric supply voltage must comply with the information given on the type identification plate on the power tool.

WARNING

Always use the side handle with the tool.

WARNING

Never use the power tool without its matching disc guard.

WARNING

Use clamps or a vice to hold the workpiece securely.

WARNING

Cutting or grinding may cause splintering of the material. **Wear eye protection.**

DANGER

The operator and bystanders must wear breathing protection if the work causes dust.

WARNING

Avoid touching rotating parts. Switch the power tool on only after bringing it into position at the workpiece. Touching rotating parts, especially rotating drill bits, discs or blades, etc. may lead to injury.

CAUTION

The insert tool may get hot during use. **Wear protective gloves when changing insert tools.**

WARNING

Reduce the load on the power tool by avoiding tilting the disc in the kerf when cutting. The disc may otherwise break, or the power tool may kick back or stall.

CAUTION

Improve the blood circulation in your fingers by relaxing your hands and exercising your fingers during breaks between working.

WARNING

Keep inflammable materials away from the working area.

CAUTION

In accordance with the applications for which it is designed, the power tool produces a high torque. **Always use the side handle and hold the power tool with both hands.** The user must be prepared for sudden sticking and stalling of the insert tool.

CAUTION

Working on the material may cause it to splinter. **Wear eye protection and protective gloves. Wear breathing protection if no dust removal system is used.** Splintering material presents a risk of injury to the eyes and body.

7.1 Rough grinding

CAUTION

Never use abrasive cutting discs for grinding.

Best results are obtained when the disc maintains an angle of 5° to 30° with the working surface when grinding. Move the power tool to and fro while applying moderate pressure. This will avoid overheating and discoloration of the workpiece and ensure an even surface finish.

7.2 Cutting

When cutting, apply moderate feed pressure and do not tilt the power tool or, respectively, the cutting disc (hold at approx. 90° to the surface being cut). For best results, start cutting at the smallest cross section when cutting profiles and square tube.

7.3 Switching on / off without locking the switch (DEG 500-D or DEG 600-D)

7.3.1 Switching on

1. Plug the supply cord into the power outlet.
2. Slide the on / off switch forward and then press it as far as it will go.

7.3.2 Switching off

Release the on / off switch.

7.4 Switching on / off and locking the switch (DEG 600-P)

NOTE

If the tool is unplugged from the electric supply while the on / off switch is locked in the on position and subsequently plugged back into the electric supply, the tool will not restart. The switch lock must be released while the tool is disconnected from the electric supply before the supply cord is again plugged into the power outlet.

7.4.1 Switching on and locking the switch

1. Plug the supply cord into the power outlet.
2. Slide the on / off switch forward slightly (3 mm) and, while pressing it down, slide it further forward until it locks in position.

7.4.2 Switching off after locking the switch

Press the front part of the on / off switch down (the lock then releases).

7.5 Restart interlock

NOTE

If the power tool is unplugged from the electric supply while the on / off switch is locked in the on-position and subsequently plugged back into the electric supply, it will not restart. The switch lock must be released while the power tool is disconnected from the electric supply before the supply cord is again plugged into the power outlet.

8 Care and maintenance

CAUTION

Disconnect the mains plug from the power outlet.

8.1 Care of the power tool

DANGER

Under extreme conditions, when used for working on metal, conductive dust may accumulate inside the tool. This may have an adverse effect on the tool's protective insulation. **Under such conditions, the tool should be plugged into a ground fault circuit interrupter (GFCI) and use of a stationary dust removal system and frequent cleaning of the tool's cooling air slots is recommended.**

The outer casing of the power tool is made from impact-resistant plastic. Sections of the grip are made from a synthetic rubber material.

Never operate the power tool when the air vents are blocked. Regularly clean the power tool's air vents carefully with a dry brush. Do not permit foreign objects to enter the interior of the tool. The motor's fan will draw dust into the casing and an excessive accumulation of conductive dust (e.g. metal, carbon fiber) may cause electrical hazards. Clean the outside of the power tool at regular intervals with a slightly damp cloth. Do not use a spray, steam pressure cleaning equipment or running

water for cleaning. This may negatively affect the electrical safety of the tool. Always keep the grip surfaces of the tool free from oil and grease. Do not use cleaning agents which contain silicone.

NOTE

Frequent work on conductive materials (e.g. metal, carbon fiber) may make shorter maintenance intervals necessary. Take your individual work place risk assessment into account.

8.2 Maintenance

WARNING

Do not operate the tool if parts are damaged or when the controls do not function faultlessly. Have the power tool repaired by Hilti Service.

WARNING

Repairs to the electrical section of the power tool may be carried out only by trained electrical specialists.

Check all external parts of the power tool for damage at regular intervals and check that all controls operate faultlessly.

8.3 Checking the power tool after care and maintenance

After carrying out care and maintenance work on the power tool, check that all protective and safety devices are fitted and that they function faultlessly.

en

9 Troubleshooting

Fault	Possible cause	Remedy
The power tool doesn't start.	Interruption in the electric supply.	Plug in another electric appliance and check whether it works.
	Supply cord or plug defective.	Have the supply cord and plug checked by an electrical specialist and replaced if necessary.
The power tool doesn't achieve full power.	The extension cord's conductor cross section is inadequate.	Use an extension cord with an adequate conductor cross section.

10 Disposal



Most of the materials from which Hilti power tools or appliances are manufactured can be recycled. The materials must be correctly separated before they can be recycled. In many countries, Hilti has already made arrangements for taking back your old power tools or appliances for recycling. Please ask your Hilti customer service department or Hilti representative for further information.

11 Manufacturer's warranty - tools

Hilti warrants that the tool supplied is free of defects in material and workmanship. This warranty is valid so long as the tool is operated and handled correctly, cleaned and serviced properly and in accordance with the Hilti Operating Instructions, and the technical system is maintained. This means that only original Hilti consumables, components and spare parts may be used in the tool.

This warranty provides the free-of-charge repair or replacement of defective parts only over the entire lifespan of the tool. Parts requiring repair or replacement as a result of normal wear and tear are not covered by this warranty.

Additional claims are excluded, unless stringent national rules prohibit such exclusion. In particular, Hilti is not obligated for direct, indirect, incidental or consequential damages, losses or expenses in connection with, or by reason of, the use of, or inability to use the tool for any purpose. Implied warranties of merchantability or fitness for a particular purpose are specifically excluded.

For repair or replacement, send the tool or related parts immediately upon discovery of the defect to the address of the local Hilti marketing organization provided.

This constitutes Hilti's entire obligation with regard to warranty and supersedes all prior or contemporaneous comments and oral or written agreements concerning warranties.

DEG 500-D/DEG 600-D/-P Meuleuse d'angle

Avant de mettre l'appareil en marche, lire impérativement son mode d'emploi et bien respecter les consignes.

Le présent mode d'emploi doit toujours accompagner l'appareil.

Ne pas prêter ou céder l'appareil à un autre utilisateur sans lui fournir le mode d'emploi.

Sommaire	Page
1 Consignes générales	15
2 Description	16
3 Consommables	19
4 Caractéristiques techniques	20
5 Consignes de sécurité	21
6 Mise en service	26
7 Utilisation	27
8 Nettoyage et entretien	29
9 Guide de dépannage	29
10 Recyclage	29
11 Garantie constructeur des appareils	30

❏ Les chiffres renvoient aux illustrations respectives. Les illustrations qui se rapportent au texte se trouvent sur les pages rabattables. Pour lire le mode d'emploi, rabattre ces pages de manière à voir les illustrations.

Dans le présent mode d'emploi, « l'appareil » désigne toujours la meuleuse d'angle DEG 500 ou DEG 600.

Organes de commande et éléments de l'appareil ❏

- ❶ Fentes de ventilation
- ❷ Interrupteur Marche / Arrêt (maintenir enfoncé)
- ❸ Poignée latérale antivibrations
- ❹ Bouton de blocage de la broche
- ❺ Bouton de déverrouillage des carters
- ❻ Broche
- ❼ Carter de protection
- ❽ Flasque de serrage
- ❾ Meule à tronçonner / meule à ébarber
- ❿ Écrou de serrage
- ⓫ Clé de serrage

1 Consignes générales

1.1 Termes signalant un danger et leur signification

DANGER

Pour un danger imminent qui peut entraîner de graves blessures corporelles ou la mort.

AVERTISSEMENT

Pour attirer l'attention sur une situation pouvant présenter des dangers susceptibles d'entraîner des blessures corporelles graves ou la mort.

ATTENTION

Pour attirer l'attention sur une situation pouvant présenter des dangers susceptibles d'entraîner des blessures corporelles légères ou des dégâts matériels.

REMARQUE

Pour des conseils d'utilisation et autres informations utiles.

1.2 Explication des pictogrammes et autres symboles d'avertissement

Symboles d'avertissement



Avertissement danger général



Avertissement tension électrique dangereuse



Avertissement surfaces chaudes

Symboles d'obligation



Porter des lunettes de protection



Porter un casque de protection



Porter un casque antibruit



Porter des gants de protection

fr



Porter un masque respiratoire léger

Symboles



Lire le mode d'emploi avant d'utiliser l'appareil



Recycler les déchets

V

Volt

A

Ampère



Courant alternatif

n

Vitesse de rotation de référence

/min

Tours par minute

RPM

Tours par minute



Diamètre



Double isolation

Emplacement des détails d'identification sur l'appareil

La désignation du modèle, le code d'article, l'année de fabrication et l'état technique de l'appareil figurent sur sa plaque signalétique. Son numéro de série figure sur le côté gauche du carter moteur. Inscrire ces renseignements dans le mode d'emploi et toujours s'y référer pour communiquer avec notre représentant ou agence Hilti.

Type :

N° de série :

2 Description

2.1 Utilisation conforme à l'usage prévu

Cet appareil a été conçu pour le tronçonnage, l'ébarbage et le brossage de matériaux métalliques et minéraux sans utilisation d'eau. Pour le tronçonnage de la pierre, utiliser impérativement une glissière de guidage.

L'environnement de travail peut être : chantiers, ateliers, sites de rénovation, sites de constructions nouvelles ou de constructions en cours de réaménagement.

L'appareil ne doit fonctionner qu'avec la tension réseau et la fréquence réseau indiquées sur la plaque signalétique.

Travaux sur métaux : Tronçonnage, ébarbage, brossage.

Travaux sur surfaces minérales : Tronçonnage par abrasion, rainurage avec les capots appropriés (DC-EX), ébarbage avec les capots appropriés (DG-EX).

Utiliser uniquement des outils de travail (meules à ébarber, meules à tronçonner, etc.), homologués pour une vitesse de rotation minimale de 11000 /min, une épaisseur maximale de meule à ébarber de 1/4", une épaisseur maximale de meule à tronçonner de 1/8" et un Ø 5" ou 6" max.

Utiliser uniquement des meules à ébarber ou à tronçonner par abrasion renforcées aux fibres et liées à la résine présentant une vitesse périphérique admissible de 80 m/s.

L'appareil ne doit être utilisé que pour le meulage / la coupe à sec.

Pour meuler la pierre, il est indispensable d'utiliser un système d'aspiration des poussières muni d'un filtre pour poussières fines (par exemple : un aspirateur Hilti approprié).

Ne pas travailler sur des matériaux susceptibles de nuire à la santé (par ex. amiante).

Il convient également d'observer la législation locale en matière de protection au travail.

Prêter attention aux influences de l'environnement de l'espace de travail. Ne pas utiliser l'appareil dans des endroits présentant un danger d'incendie ou d'explosion.

Pour éviter tout risque de blessure, utiliser uniquement les accessoires et outils Hilti d'origine.

Bien respecter les consignes concernant l'utilisation, le nettoyage et l'entretien de l'appareil qui figurent dans le présent mode d'emploi.

L'appareil est destiné aux utilisateurs professionnels et ne doit être utilisé, entretenu et réparé que par un personnel agréé, formé à cet effet. Ce personnel doit être au courant des dangers inhérents à l'utilisation de l'appareil. L'appareil et ses accessoires peuvent s'avérer dangereux s'ils sont utilisés de manière incorrecte par un personnel non qualifié ou de manière non conforme à l'usage prévu.

Toute manipulation ou modification de l'appareil est interdite.

2.2 Interrupteur

Interrupteur Marche / Arrêt (maintenir enfoncé)

2.3 L'équipement livré dans l'emballage en carton comprend

- 1 Appareil avec recouvrement
- 1 Carter de protection
- 1 Poignée latérale
- 1 Flasque de serrage
- 2 Écrou de serrage
- 1 Clé de serrage
- 1 Mode d'emploi
- 1 Emballage en carton

2.4 Régulateur électronique de limitation du courant de démarrage

Du fait du régulateur électronique, le courant de démarrage est réduit de manière à éviter que le fusible du secteur ne réagisse. Ceci permet d'assurer que l'appareil démarre sans à-coups.

2.5 Système électronique de maintien de la vitesse de rotation / Régulateur de vitesse électronique

Le régulateur de vitesse électronique maintient la vitesse de rotation pratiquement constante, entre la marche à vide et la marche sous charge. La vitesse de rotation constante garantit un travail optimal du matériau.

2.6 ATC (Active Torque Control : correcteur de couple actif)

Le système électronique de l'appareil détecte quand le carter de l'appareil commence à se déplacer trop rapidement et empêche la broche de continuer à tourner en arrêtant l'appareil (mais n'empêche pas le recul). Pour remettre l'appareil en marche, l'interrupteur doit être relâché et à nouveau enfoncé.

2.7 Blocage contre toute mise en marche intempestive

Après une éventuelle coupure de courant, l'appareil ne se remet pas spontanément en marche lorsque l'interrupteur est bloqué. L'interrupteur doit d'abord être relâché puis être à nouveau enfoncé.

2.8 Système de protection thermique du moteur

Ce système de protection supervise l'intensité absorbée ainsi que le réchauffement du moteur, écartant ainsi tout risque de surchauffe de l'appareil.

Si le moteur vient à être en surcharge du fait d'une pression exercée trop importante, la puissance de l'appareil est considérablement réduite ou l'appareil peut s'arrêter (un arrêt devrait cependant être évité).

La surcharge admissible pour l'appareil n'est pas une valeur fixe mais variable en fonction de la température du moteur.

En cas de surcharge, dégager l'appareil et le laisser tourner à vide pendant 30 secondes environ.

2.9 Utilisation de câbles de rallonge

Utiliser uniquement des câbles de rallonge homologués pour le champ d'action correspondant et de section suffisante afin d'éviter toute perte de puissance de l'appareil et toute surchauffe du câble. Contrôler régulièrement si le câble de rallonge n'est pas endommagé. Remplacer les câbles de rallonge endommagés.

Section minimale recommandée et longueurs de câble maximales :

Section du conducteur	14 AWG	12 AWG
Tension du secteur 110 – 120 V	75 ft	125 ft

Ne pas utiliser de câble de rallonge d'une section de conducteur de 16 AWG.

2.10 Câbles de rallonge à l'extérieur

À l'extérieur, n'utiliser que des câbles de rallonge homologués avec le marquage correspondant.

2.11 Utilisation d'un générateur ou d'un transformateur

Cet appareil peut être alimenté par un générateur ou un transformateur (non fourni), si les conditions suivantes sont respectées : une puissance délivrée en watts au moins égale au double de la puissance indiquée sur la plaque signalétique de l'appareil, la tension de service doit être en permanence située dans une plage de tolérance de +5 % et -15 % par rapport à la tension nominale, la fréquence doit être comprise entre 50 et 60 Hz, sans jamais dépasser 65 Hz, et un régulateur de tension automatique avec système d'amplification au démarrage doit être présent.

Ne jamais faire fonctionner d'autres appareils simultanément sur le générateur / transformateur. La mise en marche ou à l'arrêt d'autres appareils peut entraîner des pointes de sous-tension et / ou de surtension pouvant endommager l'appareil.

2.12 Capot dépolvéiseur pour les travaux de meulage DG-EX 125/5" 2

L'appareil est uniquement destiné à un ébarbage occasionnel de matériaux d'origine minérale à l'aide de meules « boisseau » diamantées.

ATTENTION

Les travaux sur métaux sont interdits avec ce carter.

REMARQUE

D'une manière générale, il est recommandé d'utiliser un carter dépolvéiseur dans un système adéquat ainsi qu'un système d'aspiration Hilti approprié pour l'ébarbage de matériaux d'origine minérale comme le béton ou la pierre. Cela, afin de protéger l'utilisateur mais aussi de prolonger la durée de vie de l'appareil et de l'outil.

2.13 Carter dépolvéiseur pour travaux de tronçonnage par abrasion et de rainurage DC-EX 125/5"-M avec glissière de guidage 3

Les travaux de tronçonnage par abrasion et de rainurage sur les matériaux d'origine minérale ne doivent être effectués qu'avec un carter dépolvéiseur et une glissière de guidage.

ATTENTION

Les travaux sur métaux sont interdits avec ce carter.

REMARQUE

D'une manière générale, il est recommandé d'utiliser un carter dépolvéiseur dans le système coordonné, ainsi qu'un système d'aspiration Hilti approprié pour le tronçonnage par abrasion et le rainurage de matériaux d'origine minérale comme le béton ou la pierre. Cela, afin de protéger l'utilisateur mais aussi de prolonger la durée de vie de l'appareil et de l'outil.

2.14 Carter dépolvéiseur compact pour travaux de tronçonnage DC-EX 125/5"-C 4

Pour le tronçonnage par abrasion dans la brique et le béton.

ATTENTION

Les travaux sur métaux sont interdits avec ce carter.

REMARQUE

D'une manière générale, il est recommandé d'utiliser un carter dépolvéiseur dans le système coordonné, ainsi qu'un système d'aspiration Hilti approprié pour le tronçonnage par abrasion et le rainurage de matériaux d'origine minérale

comme le béton ou la pierre. Cela, afin de protéger l'utilisateur mais aussi de prolonger la durée de vie de l'appareil et de l'outil.

2.15 Carter de protection avec recouvrement **5**

ATTENTION

Pour l'ébarbage avec des meules à ébarber et pour le tronçonnage par abrasion avec des meules à tronçonner par abrasion lors de travaux sur des matières métalliques, utiliser uniquement le carter de protection avec recouvrement.

fr

2.16 Recouvrement avant pour carter de protection (DEG 500-D) **6**

ATTENTION

Pour l'ébarbage avec des meules à ébarber et pour le tronçonnage par abrasion avec des meules à tronçonner par abrasion lors de travaux sur des matières métalliques, utiliser uniquement le carter de protection avec cache avant.

3 Consommables

Meules pour max. Ø 125 mm / 5", 11000/min, meules pour max. Ø 150 mm / 6", 9300/min et une vitesse périphérique de 80 m/s, une épaisseur de meule à ébarber de max. ¼" et une épaisseur de meule à tronçonner maximale de ⅙".

Meules	Application	Symbole	Matériau support
Meule à tronçonner abrasive	Tronçonnage	AC-D	métallique
Meules à tronçonner diamant	Tronçonnage	DC-D	minéral
Meule à ébarber abrasive	Ébarbage	AG-D, AF-D, AN-D	métallique
Meule à ébarber diamant	Ébarbage	DG-CW	minéral
Brosses métalliques	Brosses métalliques	3CS, 4CS, 3SS, 4SS	métallique

Affectation des meules aux différents équipements DEG 500-D

Pos.	Équipement	AC-D	AG-D	AF-D	AN-D	DG-CW	DC-D	3CS/3SS/4CS/4SS
A	Carter de protection	X	X	X	X	X	X	X
B	Cache avant (en liaison avec A)	X	-	-	-	-	X	-
C	Carter de protection avec recouvrement (en option pour A, B)	X	-	-	-	-	X	-
D	Capot superficiel DG-EX 125/5"	-	-	-	-	X	-	-
E	Carter compact DC-EX 125/5"	-	-	-	-	-	X	-
F	Capot de tronçonnage de minéraux DG-EX 125/5"M	-	-	-	-	-	X	-
G	Adaptateur DC-EX SL	-	-	-	-	-	X	-
H	Poignée latérale	X	X	X	X	X	X	X
I	Poignée étrier DC BG 125 (en option pour H)	X	X	X	X	X	X	X
K	Écrou tendeur (pas pour outils à monter avec filetage intégré)	X	X	X	X	X	X	-

Pos.	Équipement	AC-D	AG-D	AF-D	AN-D	DG-CW	DC-D	3CS/3SS/4CS/4SS
L	Bride de serrage (pas pour outils à monter avec filetage intégré)	X	X	X	X	X	X	-

Affectation des meules aux différents équipements DEG 600-D/-P

Pos.	Équipement	AC-D	AG-D	AF-D	AN-D	DG-CW	DC-D	3CS/3SS/4CS/4SS
A	Carter de protection	-	X	X	X	X	X	X
B	Carter de protection avec recouvrement (en option pour A)	X	-	-	-	-	X	-
C	Poignée latérale	X	X	X	X	X	X	X
D	Poignée-étrier DC BG 125 (en option pour C)	X	X	X	X	X	X	X
E	Écrou tendeur (pas pour outils à monter avec filetage intégré)	X	X	X	X	X	X	-
F	Bride de serrage (pas pour outils à monter avec filetage intégré)	X	X	X	X	X	X	-

4 Caractéristiques techniques

Sous réserve de modifications techniques !

Appareil	DEG 500-D	DEG 600-D/-P
Courant nominal	Tension nominale 120 V : 11,5 A	Tension nominale 120 V : 11,5 A
Fréquence de référence	60 Hz	60 Hz
Vitesse de rotation de référence	11.000/min	9.300/min
Meules à tronçonner (Ø)	125 mm (5")	150 mm (6")
Dimensions (L x l x h) sans capot	360 mm (14,17 ") x 103 mm (4,06 ") x 80 mm (3,15 ")	360 mm (14,17 ") x 103 mm (4,06 ") x 80 mm (3,15 ")
Poids sans les accessoires	1,9 kg (4,19 lb)	1,9 kg (4,19 lb)

Appareils et informations sur les applications

Filetage de la broche d'entraînement	5/8 "-11 UNC
Longueur de broche	5/8 "
Classe de protection	Classe de protection II (double isolation)

5 Consignes de sécurité

REMARQUE

Les indications de sécurité du chapitre 5.1 contiennent toutes les indications générales de sécurité pour les appareils électriques qui, selon les normes applicables, doivent être spécifiées dans le présent mode d'emploi. Par conséquent, il est possible que certaines indications ne se rapportent pas à cet appareil.

5.1 Indications générales de sécurité pour les appareils électriques

a) AVERTISSEMENT

Lire et comprendre toutes les consignes de sécurité et instructions. Le non-respect des consignes de sécurité et instructions indiquées ci-après peut entraîner un choc électrique, un incendie et / ou de graves blessures sur les personnes. **Les consignes de sécurité et instructions doivent être intégralement conservées pour les utilisations futures.** La notion d'« outil électroportatif » mentionnée dans les consignes de sécurité se rapporte à des outils électriques raccordés au secteur (avec câble de raccordement) et à des outils électriques à batterie (sans câble de raccordement).

5.1.1 Sécurité sur le lieu de travail

- a) **Maintenez l'endroit de travail propre et bien éclairé.** Un lieu de travail en désordre ou mal éclairé augmente le risque d'accidents.
- b) **N'utilisez pas l'outil électroportatif dans un environnement présentant des risques d'explosion et où se trouvent des liquides, des gaz ou poussières inflammables.** Les outils électroportatifs génèrent des étincelles risquant d'enflammer les poussières ou les vapeurs.
- c) **Tenez les enfants et autres personnes éloignés durant l'utilisation de l'outil électroportatif.** En cas d'inattention vous risquez de perdre le contrôle de l'appareil.

5.1.2 Sécurité relative au système électrique

- a) **La fiche de secteur de l'outil électroportatif doit être appropriée à la prise de courant. Ne modifiez en aucun cas la fiche. N'utilisez pas de fiches d'adaptateur avec des outils électroportatifs avec mise à la terre.** Les fiches non modifiées et les prises de courant appropriées réduisent le risque de choc électrique.
- b) **Éviter le contact physique avec des surfaces mises à la terre tels que tuyaux, radiateurs, cuisinières et réfrigérateurs.** Il y a un risque élevé de choc électrique au cas où votre corps serait relié à la terre.
- c) **N'exposez pas les outils électroportatifs à la pluie ou à l'humidité.** La pénétration d'eau dans un outil électroportatif augmente le risque d'un choc électrique.
- d) **N'utilisez pas le câble à d'autres fins que celles prévues, n'utilisez pas le câble pour porter l'ou-**

til électroportatif ou pour l'accrocher ou encore pour le débrancher de la prise de courant. Maintenez le câble éloigné des sources de chaleur, des parties grasses, des bords tranchants ou des parties de l'appareil en rotation. Un câble endommagé ou torsadé augmente le risque d'un choc électrique.

- e) **Au cas où vous utiliseriez l'outil électroportatif à l'extérieur, utilisez uniquement une rallonge homologuée pour les applications extérieures.** L'utilisation d'une rallonge électrique homologuée pour les applications extérieures réduit le risque d'un choc électrique.
- f) **Si l'utilisation de l'outil électroportatif dans un environnement humide ne peut pas être évitée, un interrupteur de protection contre les courants de court-circuit doit être utilisé.** L'utilisation d'un tel interrupteur de protection réduit le risque d'une décharge électrique.

5.1.3 Sécurité des personnes

- a) **Restez vigilant, surveillez ce que vous faites. Faites preuve de bon sens en utilisant l'outil électroportatif. N'utilisez pas l'outil électroportatif lorsque vous êtes fatigué ou après avoir consommé de l'alcool, des drogues ou avoir pris des médicaments.** Un moment d'inattention lors de l'utilisation de l'outil électroportatif peut entraîner de graves blessures sur les personnes.
- b) **Portez des équipements de protection. Portez toujours des lunettes de protection.** Le fait de porter des équipements de protection personnels tels que masque antipoussière, chaussures de sécurité antidérapantes, casque de protection ou protection acoustique suivant le travail à effectuer, réduit le risque de blessures.
- c) **Éviter une mise en service par mégarde. S'assurer que l'outil électroportatif est arrêté avant de le brancher à la source de courant et/ou au bloc-accu, de le prendre ou de le porter.** Le fait de porter l'outil électroportatif avec le doigt sur l'interrupteur ou de brancher l'appareil sur la source de courant lorsque l'interrupteur est en position de fonctionnement, peut entraîner des accidents.
- d) **Enlevez tout outil de réglage ou toute clé avant de mettre l'outil électroportatif en fonctionnement.** Une clé ou un outil se trouvant sur une partie en rotation peut causer des blessures.
- e) **Adoptez une bonne posture. Veillez à garder toujours une position stable et équilibrée.** Ceci vous permet de mieux contrôler l'outil électroportatif dans des situations inattendues.
- f) **Portez des vêtements appropriés. Ne portez pas de vêtements amples ni de bijoux. Maintenez cheveux, vêtements et gants éloignés des parties de l'appareil en rotation.** Des vêtements amples, des bijoux ou des cheveux longs peuvent être happés par des pièces en mouvement.

fr

- g) Si des dispositifs servant à aspirer ou à recueillir les poussières doivent être utilisés, vérifiez que ceux-ci sont effectivement raccordés et qu'ils sont correctement utilisés. L'utilisation d'un dispositif d'aspiration peut réduire les risques dus aux poussières.

5.1.4 Utilisation et maniement de l'outil électroportatif

- a) **Ne surchargez pas l'appareil. Utilisez l'outil électroportatif approprié au travail à effectuer.** Avec l'outil électroportatif approprié, vous travaillerez mieux et avec plus de sécurité à la vitesse pour laquelle il est prévu.
- b) **N'utilisez pas un outil électroportatif dont l'interrupteur est défectueux.** Un outil électroportatif qui ne peut plus être mis en ou hors fonctionnement est dangereux et doit être réparé.
- c) **Retirez la fiche de la prise de courant et/ou le bloc-accu avant d'effectuer des réglages sur l'appareil, de changer les accessoires, ou de ranger l'appareil.** Cette mesure de précaution empêche une mise en fonctionnement par mégarde de l'outil électroportatif.
- d) **Gardez les outils électroportatifs non utilisés hors de portée des enfants. Ne permettez pas l'utilisation de l'appareil à des personnes qui ne se sont pas familiarisées avec celui-ci ou qui n'ont pas lu ces instructions.** Les outils électroportatifs sont dangereux lorsqu'ils sont utilisés par des personnes non initiées.
- e) **Prendre soin des outils électroportatifs. Vérifier que les parties en mouvement fonctionnent correctement et qu'elles ne sont pas coincées, et contrôler si des parties sont cassées ou endommagées de sorte que le bon fonctionnement de l'outil électroportatif s'en trouve entravé. Faire réparer les parties endommagées avant d'utiliser l'appareil.** De nombreux accidents sont dus à des outils électroportatifs mal entretenus.
- f) **Maintenez les outils de coupe aiguisés et propres.** Des outils soigneusement entretenus avec des bords tranchants bien aiguisés se coincent moins souvent et peuvent être guidés plus facilement.
- g) **L'outil électroportatif, les accessoires, les outils à monter, etc. doivent être utilisés conformément à ces instructions. Tenez compte également des conditions de travail et du travail à effectuer.** L'utilisation des outils électroportatifs à d'autres fins que celles prévues peut entraîner des situations dangereuses.

5.1.5 Service

- a) **Ne faire réparer l'outil électroportatif que par un personnel qualifié et seulement avec des pièces de rechange d'origine.** Ceci permet d'assurer la sécurité de l'outil électroportatif.

5.2 Consignes de sécurité communes pour le meulage, le meulage au papier émeri, les travaux avec brosses métalliques et meules à tronçonner

- a) **Cet outil électroportatif doit être utilisé comme meuleuse, meuleuse au papier émeri, brosse métallique et tronçonneuse. Tenir compte de toutes les indications de sécurité, instructions, illustrations et données qui accompagnent l'appareil.** Le non-respect des instructions suivantes peut entraîner un choc électrique, un incendie et/ou de graves blessures sur les personnes.
- b) **Cet outil électroportatif n'est pas conçu pour le polissage.** Les applications pour lesquelles l'outil électroportatif n'est pas prévu peuvent présenter un danger et provoquer des blessures.
- c) **N'utiliser aucun accessoire qui n'a pas été prévu spécifiquement pour cet appareil électrique ni recommandé par le fabricant.** Le simple fait de pouvoir fixer l'accessoire sur l'outil électroportatif ne garantit pas une utilisation sûre.
- d) **La vitesse admissible de l'accessoire doit au moins être égale à la vitesse supérieure indiquée sur l'outil électroportatif.** Les accessoires dont la vitesse de rotation est supérieure à celle admissible risquent de se briser ou de voltiger.
- e) **Le diamètre extérieur et l'épaisseur de l'accessoire doivent correspondre aux cotes de l'outil électroportatif.** Des accessoires mal dimensionnés peuvent ne pas être suffisamment protégés ou contrôlés.
- f) **Les outils à monter munis d'un filetage doivent correspondre exactement au filetage de la broche de meulage. Dans le cas d'outils à monter qui sont montés au moyen d'une bride, le diamètre du trou de l'outil à monter doit coïncider avec le diamètre de préhension de la bride.** Les outils à monter qui ne s'adaptent pas exactement à l'outil électroportatif ne tournent pas de manière uniforme, vibrent fortement et risquent d'entraîner une perte de contrôle.
- g) **Ne pas utiliser d'accessoires endommagés. Avant chaque utilisation, vérifier que les accessoires tels que les disques à meuler ne sont ni écaillés ni fendus, que les plateaux ne sont pas fendus, usés ou fortement détériorés, et que les brosses métalliques n'ont pas de fils manquants ou cassés. En cas de chute de l'outil électroportatif ou de l'accessoire, contrôler s'il est endommagé et, le cas échéant, utiliser un accessoire non endommagé. Une fois l'accessoire contrôlé et monté, l'utilisateur ainsi que les personnes se trouvant à proximité doivent se tenir en dehors du plan de l'accessoire rotatif et veiller à laisser tourner l'appareil pendant une minute à la vitesse de rotation maximale. Les accessoires endommagés se cassent le plus souvent lors de cette période de test.**
- h) **Porter des équipements de protection individuelle. Utiliser, selon l'application, une**

protection du visage, une protection des yeux ou des lunettes de protection. Dans la mesure où ces équipements sont appropriés, porter un masque anti-poussière, un casque antibruit, des gants de protection ou un tablier spécial qui permettent de maintenir à distance les particules de matériau et de meulage. Les yeux devraient être protégés contre les corps étrangers en suspension dans l'air, produits par diverses applications. Les masques anti-poussière ou respiratoire doivent filtrer la poussière résultant de l'utilisation. En cas d'exposition prolongée à un bruit important, il y a risque de perte d'audition.

- i) **Veiller à ce que les autres personnes se tiennent à une distance de sécurité de l'espace de travail. Toute personne accédant à l'espace de travail doit porter des équipements de protection individuelle.** Des éclats de la pièce travaillée ou des accessoires cassés risquent d'être projetés en l'air et de provoquer des blessures même à l'extérieur de l'espace de travail direct.
- j) **Tenir l'appareil seulement par les surfaces isolées des poignées lors des travaux pendant lesquels l'accessoire risque de toucher des câbles électriques cachés ou son propre câble d'alimentation réseau.** Le contact avec un câble sous tension risque de mettre les parties métalliques de l'appareil sous tension et de provoquer une décharge électrique.
- k) **Tenir le câble d'alimentation réseau éloigné des accessoires rotatifs.** En cas de perte de contrôle de l'appareil, le câble d'alimentation réseau peut être sectionné ou intercepté, et la main ou le bras de l'utilisateur risque de toucher l'accessoire rotatif.
- l) **Ne jamais poser l'outil électroportatif avant que l'accessoire soit complètement arrêté.** L'accessoire rotatif peut entrer en contact avec la surface sur laquelle l'outil électroportatif est posé, risquant d'entraîner ainsi une perte de contrôle de l'outil électroportatif.
- m) **Ne pas laisser l'outil tourner pendant son transport.** Les vêtements risquent d'être happés par un contact accidentel avec l'accessoire rotatif et l'outil électroportatif risque de perforer le corps de l'utilisateur.
- n) **Nettoyer régulièrement les fentes de ventilation de l'outil électroportatif.** Le ventilateur du moteur attire la poussière dans le carter, et une forte accumulation de poussière métallique peut représenter des dangers électriques.
- o) **Ne pas utiliser l'outil électroportatif à proximité de matériaux inflammables.** Des étincelles risquent d'enflammer ces matériaux.
- p) **Ne pas utiliser d'accessoires qui requièrent l'utilisation de réfrigérants liquides.** L'utilisation d'eau ou d'autres réfrigérants liquides risque de provoquer une décharge électrique.

5.3 Contrecoup et indications de sécurité correspondantes

Un contrecoup est une réaction soudaine d'un accessoire rotatif qui est resté accroché ou bloqué, comme un disque à meuler, un plateau de ponçage, une brosse

métallique, etc. L'accrochage ou le blocage entraîne un arrêt brutal de l'accessoire rotatif. De ce fait, un outil électroportatif incontrôlé est accéléré, à l'endroit du blocage, dans le sens de rotation opposé à celui de l'accessoire.

Lorsqu'un disque à meuler par ex. reste accroché ou se bloque dans la pièce, l'arête du disque à meuler plongée dans la pièce peut rester accrochée et provoquer l'éclatement du disque à meuler ou un contrecoup. Le disque à meuler se déplace alors vers l'utilisateur ou s'éloigne de lui, selon le sens de rotation du disque à l'endroit du blocage. Ce faisant, les disques à meuler risquent en outre de se casser.

Un contrecoup est la conséquence d'une mauvaise utilisation ou d'une utilisation incorrecte de l'outil électroportatif. Il peut être évité en prenant les mesures de précaution adaptées telles que décrites ci-dessous.

- a) **Bien tenir l'outil électroportatif, et garder le corps et les bras dans une position permettant d'amortir les forces de contrecoup. Toujours utiliser la poignée supplémentaire, si celle-ci est présente, afin d'avoir le meilleur contrôle possible sur les forces de contrecoup ou les couples antagonistes lors de l'accélération à pleine vitesse.** L'utilisateur peut maîtriser les forces de contrecoup et antagonistes en prenant les précautions appropriées.
- b) **Ne jamais approcher la main des accessoires rotatifs.** En cas de contrecoup, l'accessoire risque d'aller sur la main de l'utilisateur.
- c) **Éviter de se tenir dans l'espace dans lequel l'outil électroportatif serait en mouvement en cas de contrecoup.** Le contrecoup entraîne l'outil électroportatif dans le sens opposé au déplacement du disque à l'endroit du blocage.
- d) **Travailler avec une extrême prudence dans les coins, arêtes vives, etc. Éviter que les accessoires rebondissent sur la pièce à travailler et se coincent.** L'accessoire rotatif s'incline dans les coins, les arêtes vives ou lorsqu'il rebondit et de plus, se coince. Ceci entraîne une perte de contrôle ou un contrecoup.
- e) **Ne pas utiliser de lames de scie à chaîne ou dentées.** De tels accessoires entraînent souvent un contrecoup ou la perte de contrôle de l'outil électroportatif.

5.4 Consignes de sécurité particulières pour le meulage et le tronçonnage

- a) **Utiliser exclusivement les meules autorisées pour l'outil électroportatif concerné et les capots de protection prévus pour ces meules.** Les meules qui ne sont pas conçues pour l'outil électroportatif peuvent ne pas être suffisamment protégées et ne sont pas sûres.
- b) **Les disques à meuler coudés doivent être montés de sorte à ce que leur surface de meulage ne dépasse pas le bord du carter de protection.** Un disque à meuler monté de manière inappropriée, c.-à-d. dont la surface de meulage dépasse le bord du carter de protection, ne peut pas être suffisamment protégé.

- c) **Le carter de protection doit être solidement fixé sur l'outil électroportatif et réglé de manière à atteindre la sécurité maximale, c.-à-d. que la plus petite partie possible de la meule doit être ouverte en direction de l'utilisateur.** Le carter de protection doit protéger l'utilisateur des éclats et d'un contact accidentel avec la meule, ainsi que des étincelles qui risquent d'enflammer les vêtements.
- d) **Les meules doivent uniquement être utilisées pour les possibilités d'applications recommandées. Par ex. : Ne jamais meuler avec la surface latérale d'un disque à tronçonner.** Les disques à tronçonner sont prévus pour attaquer le matériau avec l'arête du disque. Une action latérale sur ces meules risque de le casser.
- e) **Toujours utiliser des flasques de serrage en parfait état, de dimensions et de forme adaptées au disque à meuler choisi.** Les flasques adaptés soutiennent le disque et réduisent le risque de cassure du disque à meuler. Les flasques de serrage destinés aux disques à tronçonner peuvent être différents des flasques pour d'autres disques à meuler.
- f) **Ne pas utiliser de disques à meuler usés provenant d'outils électroportatifs plus grands.** Les disques à meuler destinés aux outils électroportatifs plus grands ne sont pas dimensionnés pour les vitesses supérieures des outils électroportatifs plus petits et risquent de se casser.

5.5 Autres consignes de sécurité particulières relatives au tronçonnage

- a) **Éviter de bloquer le disque à tronçonner et de le soumettre à une pression trop forte. Ne pas effectuer de coupes de profondeur excessive.** Une surcharge du disque à tronçonner augmente sa sollicitation et la probabilité de pliage ou blocage, et par conséquent l'éventualité d'un contrecoup ou de cassure de la meule.
- b) **Éviter la zone devant et derrière le disque à tronçonner rotatif.** Si l'utilisateur écarte de lui le disque à tronçonner dans la pièce à travailler, l'outil électroportatif avec le disque rotatif risquent, en cas de contrecoup, d'être projetés directement sur l'utilisateur.
- c) **Si le disque à tronçonner se coince ou que le travail est interrompu, débrancher l'appareil et attendre tranquillement jusqu'à ce que le disque s'arrête.** Ne jamais essayer de sortir le disque encore en rotation de la coupe, sinon un contrecoup risque de se produire. Déterminer et résoudre la cause du coincement.
- d) **Ne jamais remettre l'outil électroportatif en marche tant qu'il se trouve dans la pièce à travailler. Attendre que le disque à tronçonner atteigne la pleine vitesse avant de poursuivre prudemment la coupe.** Dans le cas contraire, le disque risque de s'accrocher, de sauter de la pièce ou d'entraîner un contrecoup.
- e) **Soutenir les panneaux ou grandes pièces à travailler afin de réduire le risque d'un contrecoup causé par un disque à tronçonner coincé.** De grandes pièces à travailler peuvent se courber sous

leur propre poids. La pièce à travailler doit être soutenue des deux côtés, aussi bien à proximité de la coupe que sur l'arête.

- f) **Procéder avec une extrême prudence en cas de « coupes en plongée » dans les murs existants ou autres zones imprévisibles.** Le disque à tronçonner plongeant risque de sectionner des conduites d'eau ou de gaz, des câbles ou gaines électriques, ou d'autres objets, et de causer un contrecoup.

5.6 Consignes de sécurité particulières pour les travaux avec brosses métalliques

- a) **Veiller à ce que la brosse métallique ne perde pas de morceaux de fil pendant l'usage courant. Ne pas surcharger les fils du fait d'une pression exercée trop importante.** Les morceaux de fil en suspension dans l'air peuvent très facilement passer à travers les vêtements fins et/ou la peau.
- b) **Si un capot de protection est recommandé, éviter que le capot de protection et la brosse métallique ne se touchent.** Le diamètre des brosses plateau et « boisseau » peut être agrandi par la pression exercée et les forces centrifuges.

5.7 Consignes de sécurité supplémentaires

5.7.1 Sécurité des personnes

- a) **Toujours tenir l'appareil des deux mains par les poignées prévues à cet effet. Veiller à ce que les poignées soient toujours sèches, propres et exemptes de traces de graisse et d'huile.**
- b) **Si l'appareil fonctionne sans dispositif d'aspiration de poussières et si le travail effectué dégage de la poussière, porter un masque respiratoire léger.**
- c) **Faire régulièrement des pauses et des exercices de relaxation et de massage des doigts pour favoriser l'irrigation sanguine dans les doigts.**
- d) **Éviter de toucher des pièces en rotation. Brancher l'appareil uniquement dans l'espace de travail.** Le fait de toucher des pièces en rotation, en particulier des outils en rotation, risque d'entraîner des blessures.
- e) **Pendant le travail, toujours tenir le câble d'alimentation réseau et de rallonge à l'arrière de l'appareil.** Ceci permet d'éviter tout risque de chute en trébuchant sur le câble pendant le travail.
- f) **Avertir les enfants et veiller à ce qu'ils ne jouent pas avec l'appareil.**
- g) **L'appareil n'est pas destiné à être utilisé par des enfants ou des personnes affaiblies sans encadrement.**
- h) **AVERTISSEMENT : Certains types de poussières générées par ébarbage, meulage, tronçonnage et perçage contiennent des substances chimiques, connues pour être cancérigènes, qui risquent d'entraîner des malformations congénitales, une infertilité, des lésions permanentes des voies respiratoires ou d'autres natures.** Quelques-unes de ces substances chimiques sont le plomb contenu dans les peintures au plomb, le quartz cristallin provenant des briques, du béton, de la maçonnerie ou de

pierres naturelles, ou encore l'arsenic ou le chrome provenant de bois de construction traités chimiquement. Les risques pour l'utilisateur varient en fonction de la fréquence de ces travaux. **Afin de réduire la charge de ces substances chimiques, l'utilisateur et les tierces personnes doivent travailler dans une pièce bien ventilée et utiliser les équipements de sécurité homologués. Porter un masque respiratoire adapté au type de poussière déterminé, qui filtre les particules microscopiques et permet d'éviter tout contact de la poussière avec le visage ou le corps. Éviter tout contact prolongé avec la poussière. Porter des vêtements de protection et laver à l'eau et au savon la portion de peau qui a été en contact avec la poussière.** L'absorption de poussières par la bouche ou les yeux, ou le contact prolongé des poussières avec la peau, risque de favoriser l'absorption de substances chimiques nocives pour la santé.

5.7.2 Utilisation et emploi soigneux de l'outil électroportatif

- a) Stocker et manipuler les disques conformément aux instructions du fabricant.
- b) S'assurer que le disque est monté selon les instructions du fabricant.
- c) Veiller à utiliser des porte-disques lorsqu'ils sont fournis avec les disques ou requis.
- d) Ne jamais utiliser l'outil électroportatif sans le carter de protection correspondant.
- e) L'outil doit être suffisamment fixé.
- f) Avant de commencer à travailler, s'assurer que la meuleuse est bien en place et fixée, et laisser l'outil tourner à vide pendant 30s dans un endroit sûr. Arrêter immédiatement l'appareil si d'importantes vibrations se produisent ou si d'autres défauts sont constatés. Si cela se produit, contrôler la machine pour en déterminer la cause.
- g) Ne jamais ébarber avec un disque à tronçonner.
- h) Ne pas utiliser de disques à meuler de Type 27 avec écrou de serrage intégré.
- i) Si le disque est cassé, après une chute de l'appareil ou tout autre endommagement mécanique, faire contrôler l'appareil par le S.A.V. Hilti.
- j) Veiller à ce que les projections d'étincelles engendrées par l'utilisation de l'appareil n'entraînent pas de dangers, par exemple, qu'elles ne risquent pas de toucher l'utilisateur ou d'autres personnes, ou d'enflammer des produits inflammables. Pour ce faire, mettre le carter de protection bien en place.
- k) En cas de coupure de courant : mettre l'appareil sur arrêt, débrancher la fiche. Cette mesure de précaution empêche une mise en fonctionnement par mégarde de l'appareil lorsque le courant est rétabli.

5.7.3 Sécurité relative au système électrique



- a) Avant d'entamer le travail, vérifier, par exemple à l'aide d'un détecteur de métaux, qu'il n'y a pas de câbles ou gaines électriques, tuyaux de gaz ou d'eau cachés dans la zone d'intervention. Toutes pièces métalliques extérieures de l'appareil peuvent devenir conductrices, par exemple, lorsqu'un câble électrique est endommagé par inadvertance. Cela peut entraîner un grave danger d'électrocution.
- b) Contrôler régulièrement les câbles de raccordement de l'appareil et les faire remplacer par un spécialiste s'ils sont endommagés. Si le câble de raccordement de l'appareil électrique est endommagé, il doit être remplacé par un câble de raccordement spécialement préparé, disponible auprès du service après-vente. Contrôler régulièrement les câbles de rallonge et les remplacer s'ils sont endommagés. Si le câble d'alimentation réseau ou de rallonge est endommagé pendant le travail, ne pas le toucher. Débrancher la fiche de la prise. Les cordons d'alimentation et câbles de rallonge endommagés représentent un danger d'électrocution.
- c) Si le travail s'effectue souvent sur des matériaux conducteurs, faire réviser les appareils encrassés par le S.A.V. Hilti à intervalles réguliers. Dans de mauvaises conditions d'utilisation, la poussière collée à la surface de l'appareil, surtout la poussière de matériaux conducteurs, ou l'humidité, peut entraîner une électrocution.
- d) Lorsqu'un appareil électrique est utilisé en plein air, s'assurer que l'appareil est raccordé au réseau par le biais d'un interrupteur de protection contre les courants de court-circuit (GFCI) avec un courant de déclenchement maximal de 30 mA. L'utilisation d'un tel interrupteur de protection réduit le risque d'une décharge électrique.
- e) Par principe, il est recommandé d'utiliser un interrupteur de protection contre les courants de court-circuit (GFCI) avec un courant de déclenchement maximal de 30 mA.

5.7.4 Place de travail

- a) Veiller à ce que la place de travail soit bien éclairée.
- b) Veiller à ce que la place de travail soit bien ventilée. Des places de travail mal ventilées peuvent nuire à la santé du fait de la présence excessive de poussière.

5.7.5 Équipement de protection individuelle



fr

L'utilisateur et les personnes se trouvant à proximité pendant l'utilisation de l'appareil doivent porter des

lunettes de protection adaptées homologuées selon ANSI Z87.1, un casque de protection, un casque antibruit, des gants de protection et un masque respiratoire léger.

6 Mise en service



AVERTISSEMENT

Ne jamais utiliser l'outil électroportatif sans le carter de protection correspondant.

DANGER

Retirez la fiche de la prise de courant avant d'effectuer des réglages sur l'appareil, de changer les accessoires, ou de ranger l'appareil. Cette mesure de précaution empêche une mise en fonctionnement par mégarde.

ATTENTION

Porter des gants de protection pour les travaux de montage, démontage, réglages et dépannage.

6.1 Montage de la poignée latérale

AVERTISSEMENT

Pour tous les travaux, la poignée latérale doit être montée.

Visser la poignée latérale à partir du côté gauche ou du côté droit de l'appareil.

6.2 Carter de protection

ATTENTION

Adapter la position du carter de protection en fonction des conditions requises par la procédure de travail.

ATTENTION

Le côté fermé du carter de protection doit toujours être orienté vers l'utilisateur.

6.2.1 Montage du carter de protection ou du carter de protection avec recouvrement 7

REMARQUE

Le carter de protection présente des cames codées qui permettent d'assurer que seul un carter de protection approprié peut être monté sur l'appareil. Le carter de

protection glisse avec ses cames codées dans le logement du carter de l'appareil.

1. Positionner le carter de protection sur le collet de la broche de manière à ce que les deux repères en forme de triangle sur le carter de protection et sur l'appareil soient l'un en face de l'autre.
2. Appuyer le carter de protection sur le collet de la broche ; appuyer le bouton de déverrouillage du carter et tourner le carter de protection jusqu'à ce qu'il s'encliquette et que le bouton de déverrouillage du carter ressorte.

6.2.2 Réglage du carter de protection 8

1. Appuyer le bouton de déverrouillage du carter et le tourner jusqu'à ce que le carter de protection s'encliquette dans la position souhaitée.

6.2.3 Démontage du carter de protection ou du carter de protection avec recouvrement

1. Appuyer sur le bouton de déverrouillage du carter et tourner le carter de protection jusqu'à ce que les deux repères en forme de triangle, sur le carter de protection et sur l'appareil, soient l'un en face de l'autre.
2. Retirer le carter de protection.

6.2.4 Montage et démontage du recouvrement avant (DEG 500-P) 9

1. Mettre le cache avant en place avec le côté fermé, comme représenté sur l'illustration, sur le carter de protection standard, en poussant jusqu'à ce que le mécanisme de verrouillage s'enclenche.
2. Pour démonter le cache avant, ouvrir le mécanisme de verrouillage du cache avant et le tirer hors du carter de protection standard.

6.3 Montage et démontage de l'outil à monter 10 11

ATTENTION

Porter des gants de protection pour les travaux de montage, démontage, réglages et dépannage.

DANGER

S'assurer que la vitesse de rotation indiquée sur le disque est au moins égale ou supérieure au régime à vide maximal de l'appareil.

DANGER

Contrôler l'état du disque à meuler avant utilisation. Ne pas utiliser de produits cassés, fendus ou présentant d'autres endommagements.

REMARQUE

Les disques diamantés doivent être remplacés, sitôt que les performances de tronçonnage resp. de meulage sont nettement réduites. C'est d'une manière générale le cas, lorsque la hauteur des segments diamantés est inférieure à 1/16". D'autres types de disques doivent être remplacés sitôt que les performances de tronçonnage sont nettement réduites, ou que des parties de la meuleuse d'angle (hormis le disque) entrent en contact avec le matériau travaillé en cours d'intervention. Les disques abrasifs doivent être remplacés à expiration de la date de péremption.

1. Nettoyer la bride de serrage.
2. Placer le flasque de serrage sur la broche de meulage.
3. Monter l'outil à monter.
4. Visser le flasque de serrage en fonction de l'outil utilisé **11**.
5. **ATTENTION Le bouton de blocage de la broche doit seulement être utilisé lorsque la broche de meulage est immobile.**
Appuyer sur le bouton de blocage de la broche et le maintenir enfoncé.

6. Serrer l'écrou de serrage à l'aide de la clé de serrage et relâcher ensuite le bouton de blocage de la broche.
7. Pour démonter le module, suivre les instructions dans l'ordre inverse des étapes de montage.

6.4 Montage et démontage de l'outil à monter avec filetage intégré

1. Visser l'outil à monter sur la broche de meulage.
2. **ATTENTION Le bouton de blocage de la broche doit seulement être utilisé lorsque la broche de meulage est immobile.**
Appuyer sur le bouton de blocage de la broche et le maintenir enfoncé.
3. Bien serrer l'outil à monter à l'aide d'une clé à fourche et relâcher ensuite le bouton de blocage de la broche.
4. Pour le démontage, suivre les instructions dans l'ordre inverse des étapes de montage.

6.5 Rotation de la tête de la machine **12**

REMARQUE

Afin de pouvoir travailler en toute sécurité et sans se fatiguer quelle que soit la position (par exemple : interrupteur Marche / Arrêt orienté vers le haut), la tête de la machine peut être inclinée quatre fois de 90°.

1. Débrancher la fiche de la prise.
2. Nettoyer l'appareil.
3. Retirer la poignée latérale de l'appareil.
4. Dévisser les quatre vis situées sur la tête de l'appareil.
5. Faire tourner la tête de l'appareil, sans la déplacer vers l'avant, jusqu'à obtention de la position souhaitée.
6. Fixer la tête de l'appareil en revissant les quatre vis.
7. Remonter la poignée latérale.

7 Utilisation



REMARQUE

Adapter la position du carter de protection en fonction des conditions requises par la procédure de travail.

DANGER

Porter un casque antibruit. Le bruit peut entraîner des pertes auditives.

AVERTISSEMENT

Si le disque à meuler est neuf, le tester dans un espace de travail sécurisé en le faisant tourner à vide pendant au moins 60 secondes à sa vitesse maximale.

AVERTISSEMENT

Les fentes dans des murs et autres structures porteurs sont susceptibles de modifier la statique de la construction, en particulier lors d'interventions sur des armatures métalliques ou des éléments porteurs. **Avant de commencer le travail, consulter le staticien, l'architecte ou le chef de chantier compétent.**

AVERTISSEMENT

La tension du secteur doit correspondre à celle indiquée sur la plaquette signalétique.

AVERTISSEMENT

Toujours porter l'appareil par la poignée latérale.

AVERTISSEMENT

Ne jamais utiliser l'outil électroportatif sans le carter de protection correspondant.

AVERTISSEMENT

Pour bloquer les pièces, utiliser un dispositif de serrage ou un étai.

AVERTISSEMENT

Lors du meulage, des éclats dangereux peuvent être projetés dans l'air. **Porter des lunettes de protection.**

DANGER

L'utilisateur de l'appareil et toute personne se tenant près de lui doivent porter un masque antipoussière adéquat.

AVERTISSEMENT

Éviter de toucher des pièces en rotation. Brancher l'appareil uniquement dans l'espace de travail. Le fait de toucher des pièces en rotation, en particulier des outils en rotation, risque d'entraîner des blessures.

ATTENTION

Après utilisation, l'appareil peut être très chaud. **Lors du changement d'outil, porter des gants de protection.**

AVERTISSEMENT

Lors de travaux de tronçonnage, veiller à ne pas incliner le disque par rapport au plan de tronçonnage et à ne pas surcharger l'appareil. Sinon, l'appareil risque de s'arrêter, entraînant un recul ou la cassure du disque.

ATTENTION

Faire régulièrement des pauses et des exercices de relaxation et de massage des doigts pour favoriser l'irrigation sanguine dans les doigts.

AVERTISSEMENT

Tenir tout matériau inflammable éloigné de l'espace de travail.

ATTENTION

Du fait de ses applications, l'appareil a un couple de rotation élevé. **Utiliser la poignée latérale et toujours travailler en tenant l'appareil des deux mains.** L'utilisateur doit être préparé à l'éventualité d'un blocage soudain de l'outil.

ATTENTION

Il y a risque de projection d'éclats de matériau durant les travaux sur le support. **Porter des lunettes de protection, des gants de protection et, si aucun aspirateur de poussière n'est utilisé, porter un masque respiratoire léger.** Les éclats de matériau peuvent entraîner des blessures corporelles et oculaires.

7.1 Ébarbage**ATTENTION**

Ne jamais ébarber avec une meule à tronçonner.

Pour l'ébarbage, le meilleur résultat est obtenu avec un angle d'attaque compris entre 5° et 30°. Avancer et reculer l'appareil avec une pression modérée. Ceci permet d'éviter que la pièce à travailler ne s'échauffe, ne se colore et qu'il se forme des rainures.

7.2 Tronçonnage

Lors de travaux de tronçonnage, veiller à travailler en avançant modérément et à ne pas incliner l'appareil ni la meule à tronçonner (90° env. par rapport au plan de tronçonnage). Pour découper des profils ou des petits tuyaux carrés, le meilleur résultat est obtenu sur la section la plus petite.

7.3 Mise en marche / Arrêt sans blocage (DEG 500-D ou DEG 600-D)**7.3.1 Mise en marche**

1. Brancher la fiche dans la prise.
2. Pousser l'interrupteur Marche / Arrêt vers l'avant puis le pousser complètement en arrière.

7.3.2 Arrêt

Relâcher l'interrupteur Marche / Arrêt.

7.4 Mise en marche / Arrêt avec blocage (DEG 600-P)**REMARQUE**

Si, alors que l'interrupteur Marche / Arrêt est bloqué, la fiche est retirée de la prise secteur puis à nouveau branchée, l'appareil ne se met pas en marche. La fiche étant débranchée du secteur, il faut d'abord débloquent l'interrupteur avant de brancher la fiche dans la prise.

7.4.1 Mise en marche et blocage

1. Brancher la fiche dans la prise.
2. Pousser l'interrupteur Marche / Arrêt vers l'avant (3 mm), le pousser complètement en arrière, puis le repousser à nouveau vers l'avant en position enfoncée jusqu'à ce qu'il soit bloqué.

7.4.2 Arrêt après blocage

Appuyer sur l'avant de l'interrupteur Marche / Arrêt. (Le blocage s'ouvre)

7.5 Blocage contre toute mise en marche intempestive**REMARQUE**

Si, alors que l'interrupteur Marche / Arrêt est bloqué, la fiche est retirée de la prise secteur puis à nouveau branchée, l'appareil ne se met pas en marche. La fiche étant débranchée du secteur, il faut d'abord débloquent l'interrupteur avant de brancher la fiche à la prise.

8 Nettoyage et entretien

ATTENTION

Débrancher la fiche de la prise.

8.1 Nettoyage de l'appareil

DANGER

Dans des conditions d'utilisation extrêmes lors de travaux sur des métaux, une poussière conductrice peut se déposer à l'intérieur de l'appareil. La classe de protection de l'appareil risque d'être compromise. **Dans de tels cas, il est recommandé d'utiliser une installation d'aspiration stationnaire, de nettoyer régulièrement les fentes de ventilation et d'activer préalablement un interrupteur de protection contre les courants de court-circuit (GFCI).**

La coque extérieure du boîtier de l'appareil est fabriquée en plastique résilient. La partie préhensible est en élastomère.

Ne jamais faire fonctionner l'appareil si ses ouïes d'aération sont bouchées ! Nettoyer régulièrement les ouïes d'aération avec précaution au moyen d'une brosse sèche. Éviter toute pénétration de corps étrangers à l'intérieur de l'appareil. Le ventilateur du moteur attire la poussière dans le carter, et une forte accumulation de poussière conductrice (p. ex. métal, fibres de carbone) peut représenter des dangers électriques. Nettoyer régulièrement l'extérieur de l'appareil avec un chiffon légèrement humide. N'utiliser ni pulvérisateur, ni appareil à jet de vapeur, ni eau courante pour nettoyer l'appareil, afin de garantir sa sûreté électrique. Toujours essuyer les parties préhensibles de l'appareil pour supprimer toute trace

d'huile et de graisse. Ne pas utiliser de nettoyeurs à base de silicone.

REMARQUE

Des interventions fréquentes sur des matériaux conducteurs conductrice (p. ex. métal, fibres de carbone) peuvent entraîner une réduction des intervalles d'entretien. Tenir compte de l'analyse des risques spécifique au lieu d'intervention.

8.2 Entretien

AVERTISSEMENT

Ne pas utiliser l'appareil si des pièces sont abîmées ou si des organes de commande ne fonctionnent pas parfaitement. Faire réparer l'appareil par le S.A.V. Hilti.

AVERTISSEMENT

Toute réparation des pièces électriques ne doit être effectuée que par un électricien qualifié.

Vérifier régulièrement toutes les pièces extérieures de l'appareil pour voir si elles ne sont pas abîmées et s'assurer que tous les organes de commande fonctionnent correctement.

8.3 Contrôle après des travaux de nettoyage et d'entretien

Après des travaux de nettoyage et d'entretien, vérifier si tous les équipements de protection sont bien en place et fonctionnent parfaitement.

9 Guide de dépannage

Défauts	Causes possibles	Solutions
L'appareil ne se met pas en marche.	L'alimentation réseau est coupée.	Brancher un autre appareil électrique, contrôler son fonctionnement.
	Le câble d'alimentation réseau ou le connecteur est défectueux.	Le faire vérifier par un électricien et, si nécessaire, le remplacer.
L'appareil n'atteint pas la pleine puissance.	La section du câble de rallonge n'est pas suffisante.	Utiliser un câble de rallonge de section suffisante.

10 Recyclage



Les appareils Hilti sont fabriqués en grande partie avec des matériaux recyclables dont la réutilisation exige un tri correct. Dans de nombreux pays, Hilti est déjà équipé pour reprendre votre ancien appareil afin d'en recycler les composants. Consultez le service clients Hilti ou votre conseiller commercial.

11 Garantie constructeur des appareils

fr

Hilti garantit l'appareil contre tout vice de matières et de fabrication. Cette garantie s'applique à condition que l'appareil soit utilisé et manipulé, nettoyé et entretenu correctement, en conformité avec le mode d'emploi Hilti, et que l'intégrité technique soit préservée, c'est-à-dire sous réserve de l'utilisation exclusive de consommables, accessoires et pièces de rechange d'origine Hilti.

Cette garantie se limite strictement à la réparation gratuite ou au remplacement gracieux des pièces défectueuses pendant toute la durée de vie de l'appareil. Elle ne couvre pas les pièces soumises à une usure normale.

Toutes autres revendications sont exclues pour autant que des dispositions légales nationales impératives ne s'y opposent pas. En particulier, Hilti ne

saurait être tenu pour responsable de toutes détériorations, pertes ou dépenses directes, indirectes, accidentelles ou consécutives, en rapport avec l'utilisation ou dues à une incapacité à utiliser l'appareil dans quelque but que ce soit. Hilti exclut en particulier les garanties implicites concernant l'utilisation et l'aptitude dans un but bien précis.

Pour toute réparation ou tout échange, renvoyer l'appareil ou les pièces concernées au réseau de vente Hilti compétent, sans délai, dès constatation du défaut.

La présente garantie couvre toutes les obligations d'Hilti et annule et remplace toutes les déclarations antérieures ou actuelles, de même que tous accords oraux ou écrits concernant des garanties.

Amoladora angular DEG 500-D/DEG 600-D/-P

Lea detenidamente el manual de instrucciones antes de la puesta en servicio.

Conserve siempre este manual de instrucciones cerca de la herramienta.

No entregue nunca la herramienta a otras personas sin adjuntar el manual de instrucciones.

Índice	Página
1 Indicaciones generales	31
2 Descripción	32
3 Material de consumo	35
4 Datos técnicos	36
5 Indicaciones de seguridad	37
6 Puesta en servicio	42
7 Manejo	43
8 Cuidado y mantenimiento	44
9 Localización de averías	45
10 Reciclaje	45
11 Garantía del fabricante de las herramientas	45

Los números hacen referencia a las ilustraciones que pueden encontrarse en las páginas desplegadas correspondientes. Manténgalas desplegadas mientras estudia el manual de instrucciones.

En el texto de este manual de instrucciones "la herramienta" se refiere siempre a la amoladora angular DEG 500 o DEG 600.

Elementos de mando y componentes de la herramienta

- ① Rejillas de ventilación
- ② Interruptor de conexión y desconexión (Hold to run)
- ③ Empuñadura lateral de amortiguación de vibraciones
- ④ Botón de bloqueo del husillo
- ⑤ Botón de desbloqueo del protector
- ⑥ Husillo
- ⑦ Cubierta protectora
- ⑧ Brida de apriete
- ⑨ Disco tronzador/disco de desbastado
- ⑩ Tuerca de apriete
- ⑪ Llave de apriete

1 Indicaciones generales

1.1 Señales de peligro y su significado

PELIGRO

Término utilizado para un peligro inminente que puede ocasionar lesiones graves o incluso la muerte.

ADVERTENCIA

Término utilizado para una posible situación peligrosa que puede ocasionar lesiones graves o la muerte.

PRECAUCIÓN

Término utilizado para una posible situación peligrosa que puede ocasionar lesiones o daños materiales leves.

INDICACIÓN

Término utilizado para indicaciones de uso y demás información de interés.

1.2 Explicación de los pictogramas y otras indicaciones

Símbolos de advertencia



Advertencia de peligro en general



Advertencia de tensión eléctrica peligrosa



Advertencia ante superficie caliente

Señales prescriptivas



Utilizar protección para los ojos



Utilizar casco de protección



Utilizar protección para los oídos



Utilizar guantes de protección

es



Utilizar mascarilla ligera

Símbolos



Leer el manual de instrucciones antes del uso



Reciclar los materiales usados

V

Voltios

A

Amperios



Corriente alterna

n

Velocidad de medición

/min

Revoluciones por minuto

RPM

Revoluciones por minuto



Diámetro



Aislamiento doble

Ubicación de los datos identificativos de la herramienta

La placa de identificación de su herramienta incluye la denominación del modelo, el número de artículo, el año de fabricación y el estado de la técnica. La identificación del número de serie se encuentra en la parte izquierda de la carcasa del motor. Anote estos datos en su manual de instrucciones y notifíquelos siempre que realice alguna consulta a nuestros representantes o al departamento de servicio técnico.

Modelo:

N.º de serie:

2 Descripción

2.1 Uso conforme a las prescripciones

La herramienta está destinada al tronzado, desbastado y cepillado de materiales metálicos y minerales sin el empleo de agua. Para el tronzado de piedra se requiere la utilización de un carro de guía.

El entorno de trabajo puede ser: obra, taller, renovaciones, mudanzas y obra nueva.

Un funcionamiento correcto sólo es posible con la frecuencia y tensión de alimentación especificada en la placa de identificación.

Trabajar metal: tronzado, desbastado, cepillado.

Trabajar superficies minerales: tronzar, entallar con las respectivas protecciones (DC EX); desbastar con las respectivas protecciones (DG EX).

Utilice únicamente herramientas de trabajo (discos tronzadores, discos de desbastado, etc.) aptas para una velocidad de al menos 11 000 r.p.m. y que tengan un grosor máximo del disco de desbastado de 1/4", un grosor máximo del disco tronzador de 1/8" y un Ø máximo de 5" o 6".

Utilice únicamente discos de desbastado o tronzadores aglomerados con resina sintética y reforzados con fibras que admitan una velocidad periférica de 80 m/s.

La herramienta sólo puede utilizarse para el lijado o corte en seco.

Para trabajos de lijado en piedra será necesario utilizar una aspiración con filtro para polvo de piedra, por ejemplo, un aspirador de Hilti apropiado.

No deben trabajarse materiales nocivos para la salud (p. ej., amianto).

Observe asimismo la normativa nacional vigente sobre prevención de riesgos laborales.

Tenga en cuenta las condiciones ambientales. No utilice la herramienta en lugares donde exista peligro de incendio o explosión.

A fin de evitar el riesgo de lesiones, utilice exclusivamente accesorios y herramientas de Hilti.

Siga las indicaciones relativas al manejo, cuidado y mantenimiento que se describen en el manual de instrucciones.

Esta herramienta ha sido diseñada para el usuario profesional y solo debe ser manejada, conservada y reparada por personal autorizado y debidamente formado. Este personal debe estar especialmente instruido en lo referente a los riesgos de uso. La herramienta y sus dispositivos auxiliares pueden conllevar riesgos para el usuario en caso de manejarse de forma inadecuada por personal no cualificado o utilizarse para usos diferentes a los que están destinados.

No está permitido efectuar manipulaciones o modificaciones en la herramienta.

2.2 Interruptor

Interruptor de conexión y desconexión (Hold to run)

2.3 El suministro en el embalaje de cartón incluye

- 1 Herramienta con cubierta protectora
- 1 Cubierta protectora
- 1 Empuñadura lateral
- 1 Brida de apriete
- 2 Tuerca de apriete
- 1 Llave de apriete
- 1 Manual de instrucciones
- 1 Embalaje de cartón

2.4 Limitación de la corriente de arranque

Mediante la limitación electrónica de la corriente de arranque se reduce la corriente de conexión de manera que no reacciona el fusible de la red. De esta forma se evita un arranque brusco de la herramienta.

2.5 Electrónica constante / Electrónica de regulación del tacómetro

La regulación electrónica de revoluciones mantiene casi constante la velocidad entre la marcha en vacío y la carga. Esto se traduce en un óptimo trabajo sobre el material mediante una velocidad de trabajo constante.

2.6 ATC (Control de Par Activo)

El sistema electrónico detecta un movimiento excesivamente rápido de la carcasa y evita que el husillo siga girando mediante la desconexión del aparato (no se evita que pueda producirse un rebote). Para encender la herramienta de nuevo será necesario soltar el interruptor y accionarlo de nuevo.

2.7 Bloqueo de re arranque

Si el interruptor está bloqueado, la herramienta no arrancará por sí sola después de haberse producido un posible corte de la corriente. Será necesario soltar primero el interruptor y accionarlo de nuevo.

2.8 Protección de la herramienta en función de la temperatura

La protección del motor controla el consumo de corriente y el calentamiento del motor en función de la temperatura y protege así la herramienta de un sobrecalentamiento.

En caso de sobrecarga del motor a causa de una presión de apriete demasiado alta, la potencia de la herramienta disminuye notablemente o puede provocar la parada de la herramienta (se debería evitar que se produzca una parada). La sobrecarga admisible de la herramienta no es un valor predeterminado, sino que depende en cada caso de la temperatura del motor.

En caso de que se produzca una sobrecarga, deberá dejar libre de carga la herramienta y mantenerla durante aprox. 30 segundos en velocidad de giro en vacío.

2.9 Utilización de alargadores

Utilice sólo el alargador autorizado con una sección suficiente para el campo de aplicación. De lo contrario podría generarse una pérdida de potencia de la herramienta y un sobrecalentamiento del cable. Controle regularmente el alargador por si estuviera dañado. Sustituya los alargadores dañados.

Sección mínima recomendada y longitud máxima del cable:

Sección de cable	14 AWG	12 AWG
Tensión de alimentación 110-120 V	75 ft	125 ft

No utilice alargadores con una sección de cable 16 AWG.

2.10 Alargador para trabajar al aire libre

Al trabajar al aire libre, utilice únicamente alargadores autorizados que estén correspondientemente identificados.

2.11 Utilización de un generador o transformador

Este equipo puede accionarse desde un generador o transformador (por cuenta de la empresa explotadora) si se cumplen las siguientes condiciones: la potencia útil en vatios debe ser al menos el doble de la potencia que figura en la placa de identificación de la herramienta; la tensión de servicio debe oscilar siempre entre +5% y -15% respecto a la tensión nominal y la frecuencia debe ser de 50 a 60 Hz (nunca debe superar 65 Hz); debe existir, además, un regulador de tensión automático con refuerzo de arranque.

No utilice el generador o el transformador con varias herramientas a la vez. La conexión y desconexión de otras herramientas puede ocasionar picos de subtensión o sobretensión que podrían dañar la herramienta.

2.12 Protector antipolvo para trabajos de lijado DG EX 125/5" 2

La herramienta solo es apta de forma limitada para el desbastado ocasional de superficies minerales con muelas de vaso de diamante.

PRECAUCIÓN

Quedan prohibidos los trabajos en metal con esta protección.

INDICACIÓN

En general, para trabajos de desbastado de superficies minerales, como el hormigón o la piedra, se recomienda utilizar una protección de aspiración de polvo con un aspirador de Hilti adecuado. Esta cubierta sirve como protección para el usuario y aumenta la vida útil de la herramienta y del útil.

2.13 Protector antipolvo para trabajos de tronzado y entallado DC EX 125/5"-M con carro de guía 3

Los trabajos de tronzado y entallado en minerales solo pueden realizarse con un protector antipolvo y un carro de guía.

PRECAUCIÓN

Quedan prohibidos los trabajos en metal con esta protección.

INDICACIÓN

En general, para trabajos de tronzado y entallado de superficies minerales, como el hormigón o la piedra, se recomienda utilizar una protección de aspiración de polvo con un aspirador de Hilti adecuado. Esta cubierta sirve como protección para el usuario y aumenta la vida útil de la herramienta y del útil.

2.14 Protector compacto antipolvo para trabajos de tronzado DC-EX 125/5"-C 4

Para el tronzado en mampostería y hormigón.

PRECAUCIÓN

Quedan prohibidos los trabajos en metal con esta protección.

INDICACIÓN

En general, para trabajos de tronzado y entallado de superficies minerales, como el hormigón o la piedra, se recomienda utilizar una protección de aspiración de polvo con un aspirador de Hilti adecuado. Esta cubierta sirve como protección para el usuario y aumenta la vida útil de la herramienta y del útil.

2.15 Cubierta protectora de chapa **5**

PRECAUCIÓN

Para desbastar con discos de desbastado rectos y para tronzar materiales metálicos con discos tronzadores, utilice siempre la cubierta protectora de chapa.

2.16 Tapa delantera para cubierta protectora (DEG 500-D) **6**

PRECAUCIÓN

Para desbastar con discos de desbastado rectos y para tronzar materiales metálicos con discos tronzadores, utilice siempre la cubierta protectora con tapa delantera.

es

3 Material de consumo

Discos para máx. Ø 125 mm/5", 11 000 r.p.m., discos para máx. Ø 150 mm/6", 9300 r.p.m., una velocidad periférica de 80 m/s, un grosor máximo del disco de desbastado de ¼" y un grosor máximo del disco tronizador de ⅛".

Discos	Aplicación	Abreviatura	Superficie de trabajo
Disco tronizador abrasivo	Tronzado	AC-D	Metálico
Disco tronizador de diamante	Tronzado	DC-D	Mineral
Disco de desbastado abrasivo	Desbastado	AG-D, AF-D, AN-D	Metálico
Disco de desbastado de diamante	Desbastado	DG-CW	Mineral
Cepillos de alambre	Cepillos de alambre	3CS, 4CS, 3SS, 4SS	Metálico

Asignación de los discos al equipo que se debe utilizar DEG 500-D

Pos.	Equipo	AC-D	AG-D	AF-D	AN-D	DG-CW	DC-D	3CS/3SS/4CS/4SS
A	Cubierta protectora	X	X	X	X	X	X	X
B	Cubierta delantera (en combinación con A)	X	-	-	-	-	X	-
C	Cubierta protectora de chapa (opcional para A, B)	X	-	-	-	-	X	-
D	Cubierta superficial DG-EX 125/5"	-	-	-	-	X	-	-
E	Cubierta compacta DC-EX 125/5"	-	-	-	-	-	X	-
F	Cubierta tronzadora mineral DG-EX 125/5"M	-	-	-	-	-	X	-
G	Adaptador de tronizado DC-EX SL	-	-	-	-	-	X	-
H	Empuñadura lateral	X	X	X	X	X	X	X
I	Empuñadura de puente DC BG 125 (opcional para H)	X	X	X	X	X	X	X
K	Tuerca de apriete (no para útiles de inserción con rosca integrada)	X	X	X	X	X	X	-

Pos.	Equipo	AC-D	AG-D	AF-D	AN-D	DG-CW	DC-D	3CS/3SS/4CS/4SS
L	Brida de apriete (no para útiles de inserción con rosca integrada)	X	X	X	X	X	X	-

Asignación de los discos al equipo que se debe utilizar DEG 600-D/-P

Pos.	Equipo	AC-D	AG-D	AF-D	AN-D	DG-CW	DC-D	3CS/3SS/4CS/4SS
A	Cubierta protectora	-	X	X	X	X	X	X
B	Cubierta protectora de chapa (opcional para A)	X	-	-	-	-	X	-
C	Empuñadura lateral	X	X	X	X	X	X	X
D	Empuñadura de puente DC BG 125 (opcional para C)	X	X	X	X	X	X	X
E	Tuerca de apriete (no para útiles de inserción con rosca integrada)	X	X	X	X	X	X	-
F	Brida de apriete (no para útiles de inserción con rosca integrada)	X	X	X	X	X	X	-

4 Datos técnicos

Reservado el derecho a introducir modificaciones técnicas.

Herramienta	DEG 500-D	DEG 600-D/-P
Intensidad nominal	Voltaje nominal 120 V: 11,5 A	Voltaje nominal 120 V: 11,5 A
Frecuencia nominal	60 Hz	60 Hz
Velocidad de medición	11.000/min	9.300/min
Discos de desbastado (Ø)	125 mm (5")	150 mm (6")
Dimensión (L x Al x An) sin protección	360 mm (14,17") x 103 mm (4,06") x 80 mm (3,15")	360 mm (14,17") x 103 mm (4,06") x 80 mm (3,15")
Peso sin accesorios	1,9 kg (4,19 lb)	1,9 kg (4,19 lb)

Información sobre la herramienta y su aplicación

Husillo de accionamiento roscado	5/8"-11 UNC
Longitud del husillo	6/8"
Clase de protección	Clase de protección II (aislamiento doble)

5 Indicaciones de seguridad

INDICACIÓN

Las indicaciones de seguridad del capítulo 5.1 incluyen todas las indicaciones de seguridad generales para herramientas eléctricas que deben mencionarse en el manual de instrucciones de acuerdo con las normas aplicables. Por consiguiente, pueden incluirse indicaciones que no son relevantes para esta herramienta.

5.1 Indicaciones generales de seguridad para herramientas eléctricas

a) ADVERTENCIA

Lea con atención todas las instrucciones e indicaciones de seguridad. En caso de no respetar las instrucciones e indicaciones de seguridad que se describen a continuación, podría producirse una descarga eléctrica, incendio y/o lesiones graves. **Conserve todas las instrucciones e indicaciones de seguridad para futuras consultas.** El término «herramienta eléctrica» empleado en las indicaciones de seguridad se refiere a herramientas eléctricas portátiles, ya sea con cable de red o sin cable, en caso de ser accionadas por batería.

5.1.1 Seguridad en el puesto de trabajo

- a) **Mantenga su área de trabajo limpia y bien iluminada.** El desorden o una iluminación deficiente de las zonas de trabajo pueden provocar accidentes.
- b) **No utilice la herramienta eléctrica en un entorno con peligro de explosión, en el que se encuentren combustibles líquidos, gases o material en polvo.** Las herramientas eléctricas producen chispas que pueden llegar a inflamar los materiales en polvo o vapores.
- c) **Mantenga alejados a los niños y otras personas de su puesto de trabajo al emplear la herramienta eléctrica.** Una distracción le puede hacer perder el control sobre la herramienta.

5.1.2 Seguridad eléctrica

- a) **El enchufe de la herramienta eléctrica debe corresponder con la toma de corriente utilizada. No está permitido modificar el enchufe en forma alguna. No utilice enchufes adaptadores para las herramientas eléctricas con puesta a tierra.** Los enchufes sin modificar adecuados a las respectivas tomas de corriente reducen el riesgo de descarga eléctrica.
- b) **Evite el contacto corporal con superficies que tengan puesta a tierra, como pueden ser tubos, calefacciones, cocinas y frigoríficos.** El riesgo a quedar expuesto a una descarga eléctrica es mayor si su cuerpo tiene contacto con el suelo.
- c) **No exponga las herramientas eléctricas a la lluvia y evite que penetren líquidos en su interior.** El riesgo de recibir descargas eléctricas aumenta si penetra agua en la herramienta eléctrica.
- d) **No utilice el cable de red para transportar o colgar la herramienta eléctrica ni tire de él para**

extraer el enchufe de la toma de corriente. Mantenga el cable de red alejado de fuentes de calor, aceite, aristas afiladas o piezas móviles de la herramienta. Los cables de red dañados o enredados pueden provocar descargas eléctricas.

- e) **Cuando trabaje al aire libre con una herramienta eléctrica, utilice exclusivamente un alargador adecuado para exteriores.** La utilización de un cable de prolongación adecuado para su uso en exteriores reduce el riesgo de una descarga eléctrica.
- f) **Cuando no pueda evitarse el uso de la herramienta eléctrica en un entorno húmedo, utilice un interruptor de corriente de defecto.** La utilización de un interruptor de corriente de defecto evita el riesgo de una descarga eléctrica.

5.1.3 Seguridad de las personas

- a) **Permanezca atento, preste atención durante el trabajo y utilice la herramienta eléctrica con prudencia. No utilice la herramienta eléctrica si está cansado, ni tampoco después de haber consumido alcohol, drogas o medicamentos.** Un momento de descuido al utilizar la herramienta eléctrica podría producir graves lesiones.
- b) **Utilice el equipo de protección adecuado y lleve siempre gafas de protección.** El riesgo de lesiones se reduce considerablemente si, según el tipo y la aplicación de la herramienta eléctrica empleada, se utiliza un equipo de cubierta protectora adecuado como una mascarilla antipolvo, zapatos de seguridad con suela antideslizante, casco o protectores auditivos.
- c) **Evite una puesta en marcha fortuita de la herramienta. Asegúrese de que la herramienta eléctrica está apagada antes de alzarla, transportarla, conectarla a la alimentación de corriente y/o insertar la batería.** Si transporta la herramienta eléctrica sujetándola por el interruptor de conexión/desconexión o si introduce el enchufe en la toma de corriente con la herramienta conectada, podría producirse un accidente.
- d) **Retire las herramientas de ajuste o llaves fijas antes de conectar la herramienta eléctrica.** Una herramienta o llave colocada en una pieza giratoria puede producir lesiones al ponerse en funcionamiento.
- e) **Evite adoptar posturas forzadas. Procure que la postura sea estable y manténgase siempre en equilibrio.** De esta forma podrá controlar mejor la herramienta eléctrica en caso de presentarse una situación inesperada.
- f) **Utilice ropa adecuada. No utilice vestimenta amplia ni joyas. Mantenga su pelo, vestimenta y guantes alejados de las piezas móviles.** La vestimenta suelta, las joyas y el pelo largo se pueden enganchar con las piezas móviles.
- g) **Siempre que sea posible utilizar equipos de aspiración o captación de polvo, asegúrese de que**

están conectados y de que se utilizan correctamente. El uso de un sistema de aspiración reduce los riesgos derivados del polvo.

5.1.4 Uso y manejo de la herramienta eléctrica

- a) **No sobrecargue la herramienta. Utilice la herramienta adecuada para el trabajo que se dispone a realizar.** Con la herramienta apropiada podrá trabajar mejor y de modo más seguro dentro del margen de potencia indicado.
- b) **No utilice herramientas con el interruptor defectuoso.** Las herramientas que no se puedan conectar o desconectar son peligrosas y deben repararse.
- c) **Extraiga el enchufe de la toma de corriente y/o la batería antes de efectuar cualquier ajuste en la herramienta, cambiar accesorios o en caso de no utilizar la herramienta durante un tiempo prolongado.** Esta medida preventiva reduce el riesgo de conexión accidental de la herramienta eléctrica.
- d) **Guarde las herramientas fuera del alcance de los niños. Evite que personas no familiarizadas con su uso o que no hayan leído este manual de instrucciones utilicen la herramienta.** Las herramientas utilizadas por personas inexpertas son peligrosas.
- e) **Cuide su herramienta eléctrica adecuadamente. Compruebe si las piezas móviles de la herramienta funcionan correctamente y sin atascarse, y si existen piezas rotas o deterioradas que pudieran afectar al funcionamiento de la herramienta eléctrica. Encargue la reparación de las piezas defectuosas antes de usar la herramienta eléctrica.** Muchos accidentes son consecuencia de un mantenimiento inadecuado de la herramienta eléctrica.
- f) **Mantenga los útiles limpios y afilados.** Las herramientas de corte bien cuidadas y con aristas afiladas se atascan menos y se guían con más facilidad.
- g) **Utilice la herramienta eléctrica, los accesorios, útiles, etc., de acuerdo con estas instrucciones. Para ello, tenga en cuenta las condiciones de trabajo y la tarea que se va a realizar.** El uso de herramientas eléctricas para trabajos diferentes de aquellos para los que han sido concebidas puede resultar peligroso.

5.1.5 Servicio técnico

- a) **Solicite que un profesional lleve a cabo la reparación de su herramienta eléctrica y que utilice exclusivamente piezas de repuesto originales.** Solamente así se mantiene la seguridad de la herramienta eléctrica.

5.2 Indicaciones de seguridad generales para las aplicaciones de lijado, lijado con papel de lija, trabajos con cepillos de alambre y tronzado con muelas

- a) **Esta herramienta eléctrica debe utilizarse como lijadora, amoladora con papel de lija, cepillo de alambre y tronzadora de muela. Tenga en cuenta las indicaciones de seguridad, las representacio-**

nes y los datos que se adjuntan con la herramienta. El incumplimiento de las siguientes indicaciones podría conllevar descargas eléctricas, incendios o lesiones graves.

- b) **Esta herramienta eléctrica no es adecuada para pulir.** El uso de la herramienta eléctrica para fines no previstos puede provocar descargas eléctricas o lesiones.
- c) **No utilice accesorios que el fabricante no haya previsto ni recomendado especialmente para esta herramienta eléctrica.** El simple hecho de que el accesorio encaje en su herramienta eléctrica no garantiza un uso seguro.
- d) **La velocidad admisible del útil debe alcanzar, como mínimo, el valor máximo indicado en la herramienta eléctrica.** Los accesorios que giren a una velocidad superior a la autorizada pueden romperse o salir despedidos.
- e) **El diámetro exterior y la anchura del útil deben corresponder con las indicaciones de su herramienta eléctrica.** Los útiles de dimensiones incorrectas no pueden controlarse ni protegerse de forma adecuada.
- f) **Los útiles con inserción roscada deben adaptarse perfectamente a la rosca del husillo de lijado. En el caso de útiles montados mediante bridas, el diámetro del orificio del útil debe adaptarse perfectamente al diámetro del alojamiento de la brida.** Los útiles que no queden perfectamente fijados a la herramienta eléctrica pueden provocar giros irregulares, fuertes vibraciones e incluso la pérdida de control.
- g) **No utilice herramientas dañadas. Antes de utilizar la herramienta eléctrica, compruebe si hay indicios de desgaste en los discos lijadores o de agrietamiento y desgaste en los discos abrasivos, así como si hay alambres rotos o sueltos en los cepillos de alambre. En caso de caída, compruebe si la herramienta eléctrica o el útil ha resultado dañado y utilice en tal caso un útil no dañado. Después de verificar y utilizar la herramienta, tanto el usuario como las personas que se encuentren a su alrededor deben mantenerse alejadas de la herramienta en movimiento y dejar que funcione a máxima velocidad durante un minuto.** Generalmente, las herramientas dañadas se rompen en el período de prueba.
- h) **Utilice el equipo de seguridad personal. Utilice protección completa para la cara, protección para los ojos o gafas de protección, en función de la aplicación. Cuando la aplicación lo requiera, utilice mascarilla antipolvo, protección para los oídos, guantes de protección o un delantal especial que le sirva de pantalla frente a pequeñas partículas que puedan desprenderse en los trabajos de lijado. Utilice protección para los ojos para evitar que penetren materiales extraños que puedan desprenderse en las diferentes aplicaciones. Tanto la mascarilla antipolvo como la mascarilla ligera filtran el polvo que se produce en determinadas aplica-**

ciones. La exposición prolongada a fuertes ruidos puede ocasionar una pérdida de audición.

- i) **Controle que terceras personas mantengan una distancia de seguridad respecto a su zona de trabajo. Todas las personas que se encuentren en la zona de trabajo deben llevar el equipo de seguridad personal.** Los fragmentos que pueden desprenderse de la pieza de trabajo o las herramientas rotas pueden salir despedidos y provocar lesiones incluso fuera de la zona de trabajo.
- j) **Sujete la herramienta por las empuñaduras aisladas cuando realice trabajos en los que la herramienta puede entrar en contacto con cables eléctricos ocultos o con el propio cable de la herramienta.** El contacto con los cables conductores puede traspasar la conductividad a las partes metálicas y producir descargas eléctricas.
- k) **Mantenga el cable de red alejado de las herramientas en movimiento.** Si pierde el control sobre la herramienta, el cable de red puede desconectarse o engancharse y la herramienta en movimiento podría ocasionarle lesiones en las manos o brazos.
- l) **Nunca guarde la herramienta eléctrica hasta que no se haya detenido por completo.** El útil en movimiento puede entrar en contacto con la superficie de trabajo haciéndole perder el control sobre la herramienta eléctrica.
- m) **No transporte la herramienta eléctrica en funcionamiento.** Su ropa puede entrar en contacto con la herramienta en movimiento de forma accidental, engancharse con ella e incluso llegar a ocasionarle lesiones.
- n) **Limpie las rejillas de ventilación con regularidad.** El ventilador del motor conduce el polvo aspirado al interior de la carcasa, de modo que una concentración elevada de polvo de metal puede dar lugar a averías eléctricas.
- o) **No utilice la herramienta eléctrica cerca de materiales inflamables.** Las chispas podrían inflamar dichos materiales.
- p) **No utilice útiles que requieran refrigerante líquido.** El uso de agua u otros refrigerantes líquidos puede producir descargas eléctricas.

5.3 Descripción del rebote e indicaciones de seguridad correspondientes

El rebote es la reacción repentina causada por una herramienta atascada o bloqueada en movimiento, del tipo, por ejemplo, de discos lijadores, discos abrasivos, cepillos de alambre, etc. El atascamiento o el bloqueo origina una parada brusca de la herramienta en movimiento. Por ello, una herramienta eléctrica incontrolada se acelera en la dirección de giro opuesta respecto a la posición de bloqueo.

Si, por ejemplo, un disco lijador se atasca o bloquea en una pieza de trabajo, el borde del disco lijador que penetra en la pieza de trabajo puede engancharse y, como consecuencia, romperse o dar lugar a un rebote. El disco lijador avanza hacia el usuario o se aleja de él, según la dirección de giro del disco respecto a la posición de bloqueo. En este caso, los discos lijadores también pueden romperse.

El rebote se debe a un uso incorrecto de la herramienta eléctrica. Puede evitarse cumpliendo las medidas de seguridad pertinentes que se describen a continuación.

- a) **Sujete bien la herramienta eléctrica y mantenga su cuerpo y brazos en una posición que le permita hacer frente a las fuerzas de rebote. Utilice siempre la empuñadura adicional, en caso de existir, para tener el máximo control sobre las fuerzas de rebote o los momentos de retroceso a plena marcha.** Tomar las medidas de precaución adecuadas contribuye a tener un control absoluto sobre las fuerzas de rebote y retroceso.
- b) **No coloque nunca la mano cerca de los útiles en movimiento.** La herramienta puede efectuar movimientos bruscos a causa del rebote y alcanzarle la mano.
- c) **Mantenga una distancia de seguridad respecto a la zona de movimiento del rebote.** El rebote empuja la herramienta eléctrica en dirección opuesta al movimiento del disco lijador respecto a la posición de bloqueo.
- d) **Tenga especial cuidado cerca de las esquinas y cantos afilados y evite que los útiles reboten o se enganchen con la pieza de trabajo.** La herramienta en movimiento tiende a engancharse con las esquinas o cantos afilados en caso de rebote. Ello puede comportar la pérdida de control o el rebote de la herramienta.
- e) **No utilice ninguna hoja de sierra de cadena o dentada.** Estos útiles a menudo ocasionan el rebote o la pérdida de control de la herramienta eléctrica.

5.4 Indicaciones de seguridad especiales para los trabajos de lijado y tronzado con muela

- a) **Utilice únicamente cuerpos de lijado apropiados para su herramienta eléctrica y la cubierta protectora indicada para el lijado de cada cuerpo.** Los cuerpos de lijado cuyo uso no está previsto para una herramienta determinada no pueden protegerse de forma apropiada y, como consecuencia, su aplicación no es segura.
- b) **Los discos lijadores acodados deben colocarse de forma que la superficie de lijado no sobresalga sobre la superficie del borde de la cubierta de protección.** Un disco lijador montado de forma inadecuada, que sobresalga sobre la superficie del borde de la cubierta de protección, no puede protegerse de forma adecuada.
- c) **La cubierta de protección debe colocarse de forma segura en la herramienta eléctrica y ajustarse, con la finalidad de conseguir el máximo de seguridad, de modo que sólo apunte directamente hacia el usuario la parte más pequeña posible del cuerpo de lijado.** La cubierta de protección sirve para proteger al usuario frente a fragmentos, contacto accidental con el cuerpo de lijado o chispas, que podrían prender fuego a la ropa.
- d) **Los cuerpos de lijado solamente pueden utilizarse para las aplicaciones de uso recomendadas: p. ej., no lije nunca con la superficie lateral de un disco tronzador.** Los discos tronzadores están diseñados

para arrancar material con el borde. La acción de la fuerza lateral puede romper los cuerpos de lijado.

- e) **Utilice siempre bridas de apriete no dañadas de tamaño y forma adecuados para los discos lijadores elegidos.** Las bridas apropiadas sirven de soporte para los discos lijadores y reducen el riesgo de rotura de los mismos. Las bridas para discos tronadores pueden diferenciarse de las bridas para otros discos lijadores.
- f) **No utilice discos lijadores desgastados de herramientas eléctricas de mayores dimensiones.** Los discos lijadores para herramientas eléctricas más grandes no son apropiados para las elevadas velocidades desarrolladas por las herramientas eléctricas de menor tamaño, puesto que podrían romperse.

5.5 Otras indicaciones de seguridad especiales para tronzado con muela

- a) **Evite el bloqueo del disco tronador y una presión de apriete demasiado alta. No realice cortes excesivamente profundos.** La sobrecarga de los discos tronadores aumenta el desgaste y la tendencia al atascamiento o bloqueo y, con ello, la posibilidad de rebote o rotura del disco lijador.
- b) **Evite traspasar la zona trasera y delantera del disco tronador.** Si aparta mucho de su cuerpo el disco tronador insertado en la pieza de trabajo, en caso de rebote la herramienta eléctrica con el disco en movimiento puede salir disparada directamente hacia usted.
- c) **Si el disco tronador se atasca o el trabajo se interrumpe, desconecte la herramienta y espere a que el disco deje de girar. Nunca extraiga el disco tronador de la herramienta antes de que se haya detenido por completo; en caso contrario, podría producirse un rebote.** Detecte la causa del atascamiento y subsane el problema.
- d) **No vuelva a conectar la herramienta eléctrica hasta que ésta no se encuentre en la pieza de trabajo. Deje que el disco tronador alcance su máxima velocidad antes de continuar con el corte y proceda con el máximo cuidado.** En caso contrario, el disco puede engancharse, soltarse bruscamente de la pieza de trabajo o rebotar.
- e) **Sujete las placas o las piezas de trabajo grandes para evitar el efecto rebote inducido por discos tronadores atascados.** Las piezas de trabajo grandes pueden doblarse por su propio peso. La pieza de trabajo debe hallarse sostenida por ambos lados, tanto cerca del corte de separación como en la esquina.
- f) **Tenga especial cuidado con los "cortes tipo bolsa" en las paredes o en otras zonas ocultas.** Los discos tronadores pueden provocar un rebote al cortar conductos de gas o agua, cables eléctricos u otros objetos.

5.6 Indicaciones de seguridad especiales para los trabajos con cepillos de alambre

- a) **Tenga en cuenta que los cepillos de alambre también pierden fragmentos de alambre durante su**

uso habitual. No sobrecargue los alambres con una presión de apriete demasiado alta. Los fragmentos de alambre que se desprenden pueden atravesar la ropa delgada o penetrar fácilmente en la piel.

- b) **Si se recomienda una cubierta protectora, evite que dicha protección entre en contacto con los cepillos de alambre.** El diámetro de los cepillos de vaso y de plato puede incrementarse a causa de la presión de apriete y las fuerzas centrífugas.

5.7 Indicaciones de seguridad adicionales

5.7.1 Seguridad de personas

- a) **Sujete siempre la herramienta con ambas manos por las empuñaduras previstas. Sujete las empuñaduras secas, limpias y libres de aceite o grasa.**
- b) **Si la herramienta se utiliza sin un sistema de aspiración de polvo, debe utilizar una mascarilla ligera cuando realice trabajos que produzcan polvo.**
- c) **Efectúe pausas durante el trabajo, así como ejercicios de relajación y estiramiento de los dedos para mejorar la circulación.**
- d) **Evite tocar las piezas en movimiento. Conecte la herramienta una vez se encuentre en la zona de trabajo.** Si se tocan las piezas en movimiento, en especial las herramientas rotativas, pueden ocasionarse lesiones.
- e) **Mantenga siempre el cable eléctrico y el alargador por detrás de la herramienta mientras trabaje.** De esta forma se evita el peligro de que se produzcan tropezos por culpa del cable mientras se trabaja.
- f) **Es conveniente advertir a los niños de que no deben jugar con la herramienta.**
- g) **La herramienta no es apta para el uso por parte de niños o de personas físicamente no preparadas que no tengan la debida instrucción.**
- h) **ADVERTENCIA:** Ciertos tipos de polvo que se producen al realizar trabajos de desbarbado, lijado, tronzado y taladrado, contienen sustancias químicas, conocidas por provocar cáncer, que ocasionan malformaciones en el feto, esterilidad, problemas en las vías respiratorias y otras lesiones. Entre estas sustancias químicas se encuentran el plomo de la pintura de plomo, el cuarzo cristalino derivado de ladrillos secos, hormigón, mampostería o piedras naturales, o el arsénico y el cromo derivados de la madera de construcción tratada con productos químicos. El nivel de riesgo varía dependiendo de la frecuencia con la que se realizan estos trabajos. **Para reducir los efectos de estas sustancias químicas, tanto el usuario como terceras personas deben trabajar en espacios con buena ventilación y usar siempre equipos de seguridad autorizados. Utilice una mascarilla adecuada para determinados tipos de polvo que pueda filtrar además partículas microscópicas y mantenga alejado el polvo de la cara y el cuerpo. Evite un contacto prolongado con el polvo. Utilice prendas protectoras y lave con agua y jabón las partes de su cuerpo que hayan estado en contacto con el polvo.** La inhalación de partículas de

polvo a través de la boca y el contacto prolongado del polvo con la piel y los ojos puede favorecer la ingestión de sustancias químicas perjudiciales para la salud.

5.7.2 Manipulación y utilización segura de las herramientas eléctricas

- a) Los discos lijadores tienen que ser almacenados y manipulados con cuidado según las indicaciones del fabricante.
- b) Asegúrese de que las herramientas para lijar están montadas según las indicaciones del fabricante.
- c) Utilice capas intermedias, si se ponen a disposición con la herramienta para lijar y en caso de que se requiera su utilización.
- d) No utilice la herramienta eléctrica sin protección.
- e) Fije la pieza de trabajo de forma adecuada.
- f) Compruebe antes de su uso que la herramienta para lijar esté colocada y sujeta de forma correcta y, a continuación, deje funcionar la herramienta en ralentí durante 30 segundos en una posición segura. Desconecte inmediatamente la herramienta si aparecen fuertes oscilaciones o se detectan deficiencias en el funcionamiento. En caso de producirse esta situación, compruebe la máquina para determinar su causa.
- g) No utilice discos tronzadores para realizar trabajos de desbastado.
- h) No utilice discos lijadores de tipo 27 con tuerca de apriete integrada.
- i) Encargue la revisión de la herramienta al servicio técnico de Hilti en caso de que sufra una caída, se rompa un disco o se produzcan otros impactos mecánicos.
- j) Procure que las chispas producidas durante la utilización de la herramienta no provoquen ninguna situación de peligro, por ejemplo, que le alcancen directamente a usted, terceras personas o entren en contacto con sustancias inflamables. Para ello coloque la protección correctamente.
- k) En caso de una interrupción de la corriente: desconecte la herramienta y extraiga el enchufe. Esto evita la puesta en servicio involuntaria de la herramienta en caso de que vuelva la corriente.

5.7.3 Seguridad eléctrica



- a) Compruebe (sirviéndose, por ejemplo, de un detector de metales) antes de empezar a trabajar si la zona de trabajo oculta cables eléctricos, tuberías de gas o cañerías de agua. Las partes metálicas exteriores de la herramienta pueden conducir

electricidad si, por ejemplo, se ha dañado accidentalmente una conducción eléctrica. Esto conlleva un peligro grave de descarga eléctrica.

- b) **Compruebe con regularidad la línea de conexión de la herramienta y en caso de que tuviera daños, encargue su sustitución a un profesional experto en la materia. Si el cable de conexión de la herramienta eléctrica está dañado debe reemplazarse por un cable especial que encontrará en nuestro servicio postventa. Inspeccione regularmente los alargadores y sustitúyalos en caso de que estuvieran dañados. Si se daña el cable de red o el alargador durante el trabajo, evite tocar el cable. Extraiga el enchufe de red de la toma de corriente.** Los cables de conexión y los alargadores dañados son un peligro porque pueden ocasionar una descarga eléctrica.
- c) **Encargue la revisión de la herramienta al servicio técnico de Hilti en caso de tratar con frecuencia materiales conductores a intervalos regulares.** El polvo adherido a la superficie de la herramienta, sobre todo el de los materiales conductivos, o la humedad pueden provocar descargas eléctricas bajo condiciones desfavorables.
- d) **Al trabajar con una herramienta eléctrica al aire libre, asegúrese de que la herramienta esté conectada mediante un interruptor de corriente de defecto (GFCl) con un máximo de 30 mA de corriente de activación a la red eléctrica.** El uso de un interruptor de corriente de defecto reduce el riesgo de una descarga eléctrica.
- e) **Se recomienda en principio la utilización de un interruptor de corriente de defecto (GFCl) con una corriente de desconexión máxima de 30 mA.**

5.7.4 Puesto de trabajo

- a) Procure que haya una buena iluminación en la zona de trabajo.
- b) Procure que haya una buena ventilación del lugar de trabajo. Los lugares de trabajo mal ventilados pueden perjudicar la salud debido a la carga de polvo.

5.7.5 Equipo de seguridad personal



El usuario y las personas que se encuentren en las inmediaciones de la zona de uso de la herramienta deberán llevar gafas protectoras, casco de protección, protección para los oídos, guantes de protección y una mascarilla ligera homologados según la norma ANSI Z87.1.

6 Puesta en servicio



ADVERTENCIA

No utilice la herramienta eléctrica sin protección.

ES

PELIGRO

Extraiga el enchufe de la toma de corriente antes de realizar cualquier ajuste, cambiar de accesorio o al guardar la herramienta. Esta medida preventiva reduce el riesgo de conectar accidentalmente la herramienta.

PRECAUCIÓN

Utilice siempre guantes de protección a la hora de realizar el montaje, el desmontaje, los trabajos de ajuste y al reparar averías.

6.1 Montaje de la empuñadura lateral

ADVERTENCIA

La empuñadura lateral debe montarse para realizar cualquier trabajo.

Atornille la empuñadura lateral a la parte izquierda o derecha de la herramienta.

6.2 Cubierta de protección

PRECAUCIÓN

Adapte la posición de la cubierta de protección a las exigencias de cada proceso de trabajo.

PRECAUCIÓN

La parte cerrada de la cubierta debe estar siempre dirigida hacia el usuario.

6.2.1 Montaje de la cubierta protectora o de la cubierta protectora de chapa

INDICACIÓN

La cubierta protectora dispone de unos salientes que aseguran que solo se pueda montar una cubierta adecuada para la herramienta. La cubierta protectora entra con los salientes en el alojamiento de la herramienta.

1. Monte la cubierta protectora de forma que los dos triángulos de la protección y la herramienta estén uno frente a otro.
2. Presione el husillo de la cubierta protectora; presione el botón de desbloqueo y gire la cubierta hasta que encaje y el botón de desbloqueo de la protección rebote.

6.2.2 Ajuste de la cubierta protectora

1. Presione el botón de desbloqueo de la cubierta y gírela en dirección a la posición deseada hasta que encaje.

6.2.3 Desmontaje de la cubierta protectora o de la cubierta protectora de chapa

1. Presione el botón de desbloqueo del protector y gire la protección hasta que los dos triángulos, el de la protección y el de la herramienta, queden uno frente a otro.
2. Eleve la protección.

6.2.4 Montaje y desmontaje de la tapa delantera (DEG 500-P)

1. Coloque la tapa delantera con el lateral cerrado sobre la cubierta de protección estándar, tal y como se muestra en la figura, hasta que el cierre se enclave.
2. Para desmontar la tapa delantera, abra el cierre de la misma y retirela de la cubierta de protección estándar.

6.3 Montaje y desmontaje de la herramienta de inserción

PRECAUCIÓN

Utilice siempre guantes de protección a la hora de realizar el montaje, el desmontaje, los trabajos de ajuste y al reparar averías.

PELIGRO

Asegúrese de que la velocidad indicada en la herramienta para lijar es igual o mayor a la velocidad de medición de la lijadora.

PELIGRO

Compruebe el estado del disco lijador siempre antes de su utilización. No utilice productos rotos, agrietados o dañados de cualquier otra forma.

INDICACIÓN

Los discos de diamante deben sustituirse cuando su capacidad de corte y de lijado disminuya notablemente. En general esto sucede cuando la altura del segmento de diamante es inferior a $\frac{1}{16}$ ". El resto de clases de discos deben sustituirse cuando la capacidad de corte disminuya notablemente o cuando alguna parte de la amoladora angular (excepto el disco) entre en contacto con el material de trabajo durante su uso. Los discos abrasivos deben sustituirse cuando así lo indique su fecha de caducidad.

1. Limpie la brida de apriete.
2. Coloque la brida de apriete sobre el husillo de amarlar.
3. Coloque la herramienta de inserción.
4. Apriete la tuerca de apriete en función de la herramienta empleada

5. **PRECAUCIÓN El botón de bloqueo del husillo sólo se puede accionar si el husillo de lijado está parado.**
Pulse y mantenga pulsado el botón de bloqueo del husillo.
6. Apriete la tuerca de apriete con la llave de mandril y a continuación suelte el botón de bloqueo del husillo.
7. Para desmontar el módulo, realice el procedimiento descrito en orden inverso.

6.4 Montaje y desmontaje de del útil de inserción con rosca integrada

1. Atornille el útil de inserción al husillo de lijado.
2. **PRECAUCIÓN El botón de bloqueo del husillo sólo se puede accionar si el husillo de lijado está parado.**
Pulse el botón de bloqueo y manténgalo pulsado.
3. Fije el útil de inserción con una llave de boca y a continuación suelte el botón de bloqueo del husillo.

4. Para el desmontaje, realice el procedimiento descrito en orden inverso.

6.5 Procedimiento de giro de la cabeza 12

INDICACIÓN

Para poder trabajar en cualquier posición de forma segura y sin fatigarse (p. ej., el interruptor de conexión y desconexión hacia arriba) la cabeza se puede girar cuatro veces 90°.

1. Extraer el enchufe de red de la toma de corriente.
2. Limpie la herramienta.
3. Desmonte la empuñadura lateral de la herramienta.
4. Suelte los cuatro tornillos en la cabeza del engranaje.
5. Gire la cabeza del engranaje a la posición deseada, sin tirarla hacia la parte delantera de la herramienta.
6. Sujete la cabeza del engranaje con los cuatro tornillos.
7. Monte la empuñadura lateral.

es

7 Manejo



INDICACIÓN

Adapte la posición de la cubierta de protección a las exigencias de cada proceso de trabajo.

PELIGRO

Utilice protección para los oídos. El ruido constante puede reducir la capacidad auditiva.

ADVERTENCIA

Como prueba, deje funcionar las herramientas nuevas para lijar a la velocidad de giro en vacío máxima durante un mínimo de 60 segundos en un lugar seguro.

ADVERTENCIA

Las grietas en paredes portantes pueden influir en la estética, especialmente al seccionar hierro reforzador o elementos portadores. Antes de comenzar el trabajo pregunte al ingeniero, al arquitecto o a la dirección de construcción responsable.

ADVERTENCIA

La tensión de alimentación debe coincidir con los datos que aparecen en la placa de identificación de la herramienta.

ADVERTENCIA

Utilice siempre la herramienta con la empuñadura lateral.

ADVERTENCIA

No utilice la herramienta eléctrica sin protección.

ADVERTENCIA

Fije las piezas de trabajo sueltas con un dispositivo de sujeción o un tornillo de banco.

ADVERTENCIA

Durante el proceso de lijado pueden desprenderse virutas de material. Utilice protección para los ojos.

PELIGRO

El usuario y las personas que se encuentren en las inmediaciones del área de trabajo de la herramienta deben llevar mascarillas ligeras cuando se realicen trabajos que producen polvo.

ADVERTENCIA

Evite tocar las piezas en movimiento. Conecte la herramienta una vez se encuentre en la zona de trabajo. Si se tocan las piezas en movimiento, en especial las herramientas rotativas, pueden ocasionarse lesiones.

PRECAUCIÓN

La herramienta puede calentarse durante el funcionamiento. Utilice guantes de protección al cambiar de útil.

ADVERTENCIA

Al realizar trabajos de tronzado, no ladee el disco en el plano de tronzado y no fuerce la herramienta demasiado. De lo contrario, puede producirse la parada de la herramienta, un rebote o la rotura del disco.

PRECAUCIÓN

Efectúe pausas durante el trabajo, así como ejercicios de relajación y estiramiento de los dedos para mejorar la circulación.

ADVERTENCIA

Mantenga alejados materiales inflamables de la zona de trabajo.

PRECAUCIÓN

La herramienta tiene un par de giro demasiado elevado con respecto a su aplicación. **Utilice la empuñadura lateral y sujete la herramienta siempre con ambas manos.** En cualquier momento puede producirse un bloqueo inesperado de la herramienta, por tanto debe estar preparado.

PRECAUCIÓN

Durante el trabajo pueden desprenderse virutas de material. **Utilice gafas de protección, guantes protectores y, si no utiliza aspiración de polvo, una mascarilla ligera.** El material que sale disparado puede ocasionar lesiones en los ojos y en el cuerpo.

7.1 Desbastado

PRECAUCIÓN

Nunca utilice discos tronzadores para realizar trabajos de desbastado.

Con un ángulo de incidencia de 5° a 30° se consiguen los mejores resultados de desbastado. Mueva la herramienta aplicando una presión moderada. De este modo, la pieza de trabajo no alcanza una temperatura demasiado elevada, no cambia de color ni se generan estrías.

7.2 Tronzado

Durante el tronzado, trabaje a un ritmo de avance moderado y no ladee la herramienta (aprox. 90° respecto a la superficie de tronzado). La mejor forma de tronzar perfiles y tubos cuadrados es utilizando la sección más pequeña.

7.3 Conexión/desconexión sin bloqueo (DEG 500-D o DEG 600-D)

7.3.1 Conexión

1. Inserte el enchufe de la herramienta en la toma de corriente.
2. Empuje el interruptor de conexión y desconexión hacia adelante y, a continuación, apriételo completamente hacia dentro.

7.3.2 Desconexión

Suelte el interruptor de conexión y desconexión.

7.4 Conexión/desconexión con bloqueo (DEG 600-P)

INDICACIÓN

Si saca el enchufe de red de la toma de corriente con el interruptor de conexión y desconexión bloqueado y lo inserta a continuación otra vez, la herramienta no se enciende. Primero deberá soltar el bloqueo en estado libre de tensión e insertar después el enchufe de red en la toma de corriente.

7.4.1 Conexión y bloqueo

1. Inserte el enchufe de la herramienta en la toma de corriente.
2. Empuje el interruptor de conexión y desconexión hacia adelante (3 mm), púlselo y empújelo otra vez en la posición pulsada hacia adelante hasta que quede bloqueado.

7.4.2 Desconexión después del bloqueo

Presione la parte delantera del interruptor de conexión/desconexión (el bloqueo se suelta).

7.5 Bloqueo de rearmar

INDICACIÓN

Si saca el enchufe de red de la toma de corriente con el interruptor de conexión y desconexión bloqueado y lo inserta a continuación otra vez, la herramienta no se enciende. Primero deberá soltar el bloqueo en estado libre de tensión e insertar después el enchufe de red en la toma de corriente.

8 Cuidado y mantenimiento

PRECAUCIÓN

Extraiga el enchufe de red de la toma de corriente.

8.1 Cuidado de la herramienta

PELIGRO

En condiciones de uso extremas al tratar metales puede depositarse polvo conductor en el interior de la herramienta. El aislamiento de protección de la herramienta podría verse afectado. **En estos casos se recomienda el uso de un dispositivo de aspiración estacionario, una limpieza profunda de las rejillas de ventilación y la conexión de un interruptor de corriente de defecto (GFCI).**

La carcasa exterior de la herramienta está fabricada en plástico resistente a los golpes. La empuñadura es de un material elastómero.

No utilice nunca la herramienta si esta tiene obstruidas las ranuras de ventilación. Limpie periódicamente y con cuidado las rejillas de ventilación con un cepillo seco. Evite la penetración de cuerpos extraños en el interior de la herramienta. El ventilador del motor conduce el polvo aspirado al interior de la carcasa, de modo que una concentración elevada de polvo (p. ej., metal, fibra de carbono) puede dar lugar a averías eléctricas. Limpie regularmente el exterior de la herramienta con un paño ligeramente humedecido. No utilice pulverizadores,

aparatos de chorro de vapor o agua corriente para la limpieza, ya que podría afectar a la seguridad eléctrica de la herramienta. Mantenga siempre las empuñaduras de la herramienta limpias de aceite y grasa. No utilice ningún producto de limpieza que contenga silicona.

INDICACIÓN

El mecanizado continuo de materiales conductores (p. ej. metal, fibra de carbono) puede reducir los intervalos de mantenimiento. Tenga en cuenta el análisis de riesgos individual del puesto de trabajo.

8.2 Mantenimiento

ADVERTENCIA

No use la herramienta si alguna parte está dañada o si alguno de los elementos de manejo no funciona bien.

Encargue la reparación de la herramienta al servicio técnico de Hilti.

ADVERTENCIA

La reparación de los componentes eléctricos solo puede llevarla a cabo un técnico electricista cualificado.

Compruebe regularmente que ninguna de las partes exteriores de la herramienta esté dañada y que todos los elementos de manejo funcionen correctamente.

8.3 Control después de las tareas de cuidado y mantenimiento

Una vez realizadas las tareas de cuidado y mantenimiento deberá comprobarse si están colocados todos los dispositivos de protección y si estos funcionan correctamente.

es

9 Localización de averías

Fallo	Posible causa	Solución
La herramienta no se pone en marcha.	Suministro de corriente interrumpido.	Enchufe otra herramienta eléctrica y compruebe si funciona.
	Cable de red o enchufe defectuosos.	Comprobación por parte de un técnico especializado y sustitución en caso necesario.
La herramienta no desarrolla toda la potencia.	Alargador con sección insuficiente.	Utilice un cable alargador con sección suficiente.

10 Reciclaje



Gran parte de las herramientas Hilti están fabricadas con materiales reutilizables. La condición para dicha reutilización es una separación de materiales adecuada. En muchos países, Hilti ya dispone de un servicio de recogida de la herramienta usada. Póngase en contacto con el servicio de atención al cliente de Hilti o con su asesor de ventas.

11 Garantía del fabricante de las herramientas

Hilti garantiza la herramienta suministrada contra todo fallo de material y de fabricación. Esta garantía se otorga a condición de que la herramienta sea utilizada, manejada, limpiada y revisada en conformidad con el manual de instrucciones de Hilti, y de que el sistema técnico sea salvaguardado, es decir, que se utilicen en la herramienta exclusivamente consumibles, accesorios y piezas de recambio originales de Hilti.

Esta garantía abarca la reparación gratuita o la sustitución sin cargo de las piezas defectuosas durante toda la vida útil de la herramienta. La garantía no cubre las piezas sometidas a un desgaste normal.

Quedan excluidas otras condiciones que no sean las expuestas, siempre que esta condición no sea contraria a las prescripciones nacionales vigentes. Hilti no acepta la responsabilidad especialmente en relación con deterioros, pérdidas o gastos directos, indirectos, accidentales o consecutivos, en relación con la utilización o a causa de la imposibilidad de utilización de la herramienta para cualquiera de sus finalidades. Quedan excluidas en particular todas las garantías tácitas relacionadas con la utilización y la idoneidad para una finalidad precisa.

Para toda reparación o recambio, les rogamos que envíen la herramienta o las piezas en cuestión a la dirección de su organización de venta Hilti más cercana inmediatamente después de la constatación del defecto.

Estas son las únicas obligaciones de Hilti en materia de garantía, las cuales anulan toda declaración anterior o contemporánea, del mismo modo que todos los acuerdos orales o escritos en relación con las garantías.

Rebarbadora angular DEG 500-D/DEG 600-D/-P

Antes de utilizar a ferramenta, por favor leia atentamente o manual de instruções.

Conserve o manual de instruções sempre junto da ferramenta.

Entregue a ferramenta a outras pessoas apenas juntamente com o manual de instruções.

Índice	Página
1 Informações gerais	47
2 Descrição	48
3 Consumíveis	51
4 Características técnicas	52
5 Normas de segurança	52
6 Antes de iniciar a utilização	57
7 Utilização	59
8 Conservação e manutenção	60
9 Avarias possíveis	61
10 Reciclagem	61
11 Garantia do fabricante - Ferramentas	61

1 Estes números referem-se a figuras. Estas encontram-se nas contracapas desdobráveis. Ao ler as instruções, mantenha as contracapas abertas. Nestas instruções, a palavra «ferramenta» refere-se sempre à rebarbadora angular DEG 500 ou DEG 600.

Comandos operativos e componentes **1**

- ① Saídas de ar
- ② Interruptor (Posição de bloqueio)
- ③ Punho auxiliar com amortecedor de vibração
- ④ Botão de bloqueio do veio
- ⑤ Botão de destravamento do resguardo
- ⑥ Veio
- ⑦ Resguardo do disco
- ⑧ Falange de aperto
- ⑨ Disco de corte por abrasão / Disco de desbaste por abrasão
- ⑩ Porca tensora
- ⑪ Chave de aperto

pt

1 Informações gerais

1.1 Indicações de perigo e seu significado

PERIGO

Indica perigo iminente que pode originar acidentes pessoais graves ou até mesmo fatais.

AVISO

Indica uma situação potencialmente perigosa que pode causar graves ferimentos pessoais, até mesmo fatais.

CUIDADO

Indica uma situação potencialmente perigosa que pode originar ferimentos ligeiros ou danos na ferramenta ou noutros materiais.

NOTA

Indica instruções ou outras informações úteis.

1.2 Significado dos pictogramas e outras notas

Sinais de aviso



Perigo geral



Perigo: electricidade



Perigo: superfície quente

Sinais de obrigação



Use óculos de protecção



Use capacete de segurança



Use protecção auricular



Use luvas de protecção



Use máscara antipoeiras

Símbolos



Leia o manual de instruções antes de utilizar a ferramenta.



Recicle os desperdícios

V

Volt

A

Ampere

pt



Corrente alternada

n

Velocidade nominal

/min

Rotações por minuto

RPM

Rotações por minuto



Diâmetro



com duplo isolamento

Localização da informação na ferramenta

A designação, código do artigo e ano de fabrico, bem como as condições técnicas constam da placa de características da sua ferramenta. O número de série figura no lado esquerdo da carcaça do motor. Anote estes dados no seu manual de instruções e faça referência a estas indicações sempre que necessitar de qualquer peça/acessório para a ferramenta.

Tipo:

Número de série:

2 Descrição

2.1 Utilização correcta

A ferramenta foi concebida para cortar por abrasão, desbastar por abrasão e escovar materiais metálicos e minerais sem a utilização de água. Para cortar pedra é necessário o carril-guia.

A ferramenta é apropriada para trabalhar em obra, em oficina, em trabalhos de renovação, reconstrução e construção de raiz.

Certifique-se de que a corrente eléctrica à qual a ferramenta é ligada está de acordo com a mencionada na placa de características.

Trabalhos em metal: cortar por abrasão, desbastar por abrasão, escovar.

Trabalhos em materiais minerais: cortar por abrasão, abrir roços com o resguardo correspondente (DC-EX), desbastar por abrasão com o resguardo correspondente (DG-EX).

Use somente acessórios (discos de desbaste por abrasão, discos de corte por abrasão, etc.) aprovados para uma velocidade recomendada de pelo menos 11000 rpm, que possuam uma espessura máxima do disco de desbaste por abrasão de ¼", uma espessura máxima do disco de corte por abrasão de ⅛" e no máx. 5" ou 6".

Utilize apenas discos de desbaste por abrasão ou de corte por abrasão de resina sintética reforçados a fibra com uma velocidade periférica permitida de 80 m/s.

Esta ferramenta só pode ser utilizada para cortar e rebarbar a seco.

Deve utilizar um aspirador equipado com filtro para pó de pedra (por exemplo, um aspirador Hilti adequado) ao lixar pedra.

Materiais nocivos para a saúde (p. ex., amianto) não podem ser trabalhados.

Respeite também os requisitos nacionais de segurança no trabalho.

Considere as influências ambientais. Não utilize a ferramenta onde possa existir risco de incêndio ou explosão.

Para evitar ferimentos/danos, use apenas acessórios e equipamento auxiliar Hilti.

Leia as instruções contidas neste manual sobre utilização, conservação e manutenção da ferramenta.

A ferramenta foi concebida para uso profissional e só deve ser utilizada, feita a sua manutenção e reparada por pessoal autorizado e devidamente credenciado. Estas pessoas deverão ser informadas sobre os potenciais perigos que a ferramenta representa. A ferramenta e seu equipamento auxiliar podem representar perigo se usados incorrectamente por pessoas não qualificadas ou se usados para fins diferentes daqueles para os quais foram concebidos.

Não é permitida a modificação ou manipulação da ferramenta.

2.2 Interruptor

Interruptor (Posição de bloqueio)

2.3 Incluído no fornecimento (em caixa de cartão):

- 1 Ferramenta com resguardo de disco
- 1 Resguardo do disco
- 1 Punho auxiliar
- 1 Falange de aperto
- 2 Porca tensora
- 1 Chave de aperto
- 1 Manual de instruções
- 1 Caixa de cartão

2.4 Regulação da corrente de arranque

O regulador electrónico de corrente reduz a corrente inicial, absorvida pela ferramenta, evitando que o fusível da corrente eléctrica dispare. Garante também que a ferramenta arranque suavemente, sem "coice" inicial.

2.5 Velocidade electrónica constante

O comando electrónico de velocidade mantém a velocidade do veio a um nível quase constante quer a ferramenta esteja em vazio quer esteja em carga. Esta velocidade de rotação constante garante a máxima eficiência da ferramenta.

2.6 ATC (Active Torque Control)

O sistema electrónico da ferramenta detecta quando a respectiva carcaça começa a movimentar-se demasiado depressa e impede que o veio continue a rodar, desligando a ferramenta (não impede um coice). Para colocar a ferramenta novamente a trabalhar é necessário soltar o interruptor e voltar a accioná-lo.

2.7 Bloqueio de arranque

Se o interruptor estiver bloqueado, a ferramenta não arranca automaticamente após uma falha de energia. É necessário soltar o interruptor e voltar a accioná-lo.

2.8 Protecção da ferramenta dependente da temperatura

O sistema de protecção do motor evita que este entre em sobreaquecimento, monitorizando a potência de entrada e a temperatura do motor.

Em caso de sobrecarga do motor devido a excessiva pressão sobre o disco, a potência da ferramenta diminuirá consideravelmente, podendo até o motor parar (evite parar o motor desta forma).

Não é possível informar qual o valor de sobrecarga da ferramenta uma vez que depende da temperatura do motor.

Caso se verifique sobrecarga da ferramenta, alivie a pressão exercida e deixe a ferramenta a trabalhar sem carga por aproximadamente 30 segundos.

2.9 Utilização de extensões de cabo

Utilize apenas extensões de cabo aprovadas para o tipo de aplicação em causa e com a secção adequada. A inobservância desta recomendação pode resultar numa perda de potência da ferramenta e no sobreaquecimento do cabo. Examine o cabo periodicamente em relação a eventuais danos. Substitua os cabos de extensão danificados.

Secções de cabo mínimas e comprimentos máximos recomendados:

Secção do cabo	14 AWG	12 AWG
Tensão de rede 110-120 V	75 ft	125 ft

Não utilize extensões de cabo com secções de 16 AWG.

2.10 Utilização de extensões eléctricas em trabalhos de exterior

Em trabalhos de exterior, utilize apenas extensões de cabo com secção apropriada e correspondentemente indicadas.

2.11 Utilização de um gerador ou transformador

Esta ferramenta pode ser alimentada por um gerador ou transformador se as seguintes condições forem reunidas: potência de saída, em watt, no mínimo o dobro da potência indicada na placa de características da ferramenta, a tensão em carga deverá estar entre os +5 % e os -15 % da tensão nominal e a frequência deverá estar entre 50 e 60 Hz, mas nunca superior a 65 Hz. Deve utilizar-se um regulador automático de tensão com arrancador. O gerador ou transformador nunca deve ser usado para alimentar outros equipamentos em simultâneo. Ligar outras ferramentas ou dispositivos pode provocar variações na voltagem (falha ou sobrecarga), causando danos na ferramenta.

2.12 Dispositivo de extracção de pó de rebarbar DG-EX 125/5" 2

Esta ferramenta só é indicada de forma limitada para desbastar por abrasão materiais minerais com mó diamantada (trabalhos ocasionais).

CUIDADO

Não é permitido trabalhar metal com este resguardo.

NOTA

Geralmente recomendamos a utilização de um dispositivo de extracção de pó ligado a um aspirador Hilti para todos os trabalhos de desbaste por abrasão em materiais minerais, como betão ou pedra. Este protege o utilizador e aumenta o tempo de vida útil da ferramenta e do acessório.

2.13 Dispositivo de extracção de pó para trabalhos de corte por abrasão e abertura de roços DC-EX 125/5"-M com carril-guia 3

Trabalhos de corte por abrasão e abertura de roços em materiais minerais só podem ser executados com um dispositivo de extracção de pó e carril-guia.

CUIDADO

Não é permitido trabalhar metal com este resguardo.

NOTA

Geralmente recomendamos a utilização de um dispositivo de extracção de pó no sistema adaptado, ligado a um aspirador Hilti para todos os trabalhos de corte por abrasão e abertura de roços em materiais minerais, como betão ou pedra. Este protege o utilizador e aumenta o tempo de vida útil da ferramenta e do acessório.

2.14 Dispositivo de extracção de pó para trabalhos de corte, resguardo compacto DC-EX 125/5"-C 4

Para cortar alvenaria e betão por abrasão.

CUIDADO

Não é permitido trabalhar metal com este resguardo.

NOTA

Geralmente recomendamos a utilização de um dispositivo de extracção de pó no sistema adaptado, ligado a um aspirador Hilti para todos os trabalhos de corte por abrasão e abertura de roços em materiais minerais, como betão ou pedra. Este protege o utilizador e aumenta o tempo de vida útil da ferramenta e do acessório.

2.15 Resguardo de disco com chapa de cobertura 5

CUIDADO

Ao trabalhar materiais metálicos, utilize o resguardo de disco com chapa de cobertura para desbastar por abrasão com discos de desbaste por abrasão rectos e para cortar por abrasão com discos de corte por abrasão.

2.16 Tampa dianteira para resguardo de disco (DEG 500-D) 6

CUIDADO

Ao trabalhar materiais metálicos, utilize o resguardo de disco com tampa dianteira para desbastar por abrasão com discos de desbaste por abrasão rectos e para cortar por abrasão com discos de corte por abrasão.

3 Consumíveis

Discos de diâmetro máx. 125 mm/5", 11 000 rpm, discos de diâmetro máx. 150 mm/6", 9300 rpm e uma velocidade periférica de 80 m/s, uma espessura dos discos de desbaste por abrasão de máx. ¼" e uma espessura dos discos de corte por abrasão de máx. ⅛".

Discos	Aplicação	Sigla	Material base
Disco abrasivo de corte por abrasão	Separar por disco de corte	AC-D	metálico
Disco diamantado de corte por abrasão	Separar por disco de corte	DC-D	mineral
Disco abrasivo de desbaste por abrasão	Desbastar por abrasão	AG-D, AF-D, AN-D	metálico
Disco diamantado de desbaste por abrasão	Desbastar por abrasão	DG-CW	mineral
Escovas de arame	Escovas de arame	3CS, 4CS, 3SS, 4SS	metálico

Atribuição dos discos ao equipamento a utilizar DEG 500-D

Pos.	Equipamento	AC-D	AG-D	AF-D	AN-D	DG-CW	DC-D	3CS/3SS/4CS/4SS
A	Resguardo do disco	X	X	X	X	X	X	X
B	Tampa dianteira (em combinação com A)	X	-	-	-	-	X	-
C	Resguardo de disco com chapa de cobertura (opcional para A, B)	X	-	-	-	-	X	-
D	Resguardo da superfície DG-EX 125/5"	-	-	-	-	X	-	-
E	Resguardo compacto DC-EX 125/5"	-	-	-	-	-	X	-
F	Resguardo para disco de corte, mineral DG-EX 125/5"M	-	-	-	-	-	X	-
G	Adaptador para disco de corte DC-EX SL	-	-	-	-	-	X	-
H	Punho auxiliar	X	X	X	X	X	X	X
I	Punho em arco DC BG 125 (opcional para H)	X	X	X	X	X	X	X
K	Porca tensora (não para acessórios com rosca incorporada)	X	X	X	X	X	X	-
L	Falange de aperto (não para acessórios com rosca incorporada)	X	X	X	X	X	X	-

pt

Atribuição dos discos ao equipamento a utilizar DEG 600-D/-P

Pos.	Equipamento	AC-D	AG-D	AF-D	AN-D	DG-CW	DC-D	3CS/3SS/4CS/4SS
A	Resguardo do disco	-	X	X	X	X	X	X
B	Resguardo de disco com chapa de cobertura (opcional para A)	X	-	-	-	-	X	-
C	Punho auxiliar	X	X	X	X	X	X	X
D	Punho em arco DC BG 125 (opcional para C)	X	X	X	X	X	X	X
E	Porca tensora (não para acessórios com rosca incorporada)	X	X	X	X	X	X	-
F	Falange de aperto (não para acessórios com rosca incorporada)	X	X	X	X	X	X	-

4 Características técnicas

Reservamo-nos o direito de proceder a alterações técnicas!

Ferramenta	DEG 500-D	DEG 600-D/-P
Corrente nominal	Tensão nominal 120 V: 11,5 A	Tensão nominal 120 V: 11,5 A
Frequência	60 Hz	60 Hz
Velocidade nominal	11 000/min	9 300/min
Discos de corte por abrasão (Ø)	125 mm (5")	150 mm (6")
Dimensão (C x A x L) sem resguardo	360 mm (14,17") x 103 mm (4,06") x 80 mm (3,15")	360 mm (14,17") x 103 mm (4,06") x 80 mm (3,15")
Peso sem acessórios	1,9 kg (4,19 lb)	1,9 kg (4,19 lb)

Outras informações sobre a ferramenta

Rosca do veio	5/8"-11 UNC
Comprimento do veio	6/8"
Classe de protecção	Classe II de protecção (com duplo isolamento)

5 Normas de segurança

NOTA

As Normas de segurança no capítulo 5.1 contêm todas as normas gerais de segurança para ferramentas eléctricas, que, de acordo com as normas aplicáveis, devem ser indicadas no manual de instruções. Por conseguinte, podem estar incluídas indicações que não são relevantes para esta ferramenta.

5.1 Normas de segurança gerais para ferramentas eléctricas

- a)  **AVISO**

Leia todas as normas de segurança e instruções. O não cumprimento das normas de segurança e instruções pode resultar em choque eléctrico, incêndio e/ou lesões graves. **Guarde bem todas as normas**

de segurança e instruções para futura referência. O termo "ferramenta eléctrica" utilizado nas normas de segurança refere-se a ferramentas com ligação à corrente eléctrica (com cabo de alimentação) ou ferramentas a bateria (sem cabo).

5.1.1 Segurança no posto de trabalho

- a) **Mantenha a sua área de trabalho limpa e bem iluminada.** Locais desarrumados ou mal iluminados podem ocasionar acidentes.
- b) **Não utilize a ferramenta eléctrica em ambientes explosivos ou na proximidade de líquidos ou gases inflamáveis.** Ferramentas eléctricas produzem faíscas que podem provocar a ignição de pó e vapores.
- c) **Mantenha crianças e terceiros afastados durante os trabalhos.** Distracções podem conduzir à perda de controlo sobre a ferramenta.

5.1.2 Segurança eléctrica

- a) **A ficha da ferramenta eléctrica deve servir na tomada. A ficha não deve ser modificada de modo algum. Não utilize quaisquer adaptadores com ferramentas eléctricas com ligação terra.** Fichas originais (não modificadas) e tomadas adequadas reduzem o risco de choque eléctrico.
- b) **Evite o contacto do corpo com superfícies ligadas à terra, como, por exemplo, canos, radiadores, fogões e frigoríficos.** Existe um risco elevado de choque eléctrico se o corpo estiver em contacto com a terra.
- c) **As ferramentas eléctricas não devem ser expostas à chuva nem à humidade.** A infiltração de água numa ferramenta eléctrica aumenta o risco de choque eléctrico.
- d) **Não use o cabo para transportar, arrastar ou desligar a ferramenta eléctrica da tomada. Mantenha o cabo afastado de calor, óleo, arestas vivas ou partes em movimento da ferramenta.** Cabos danificados ou emaranhados aumentam o risco de choque eléctrico.
- e) **Quando operar uma ferramenta eléctrica ao ar livre, utilize apenas cabos de extensão próprios para utilização no exterior.** A utilização de cabos de extensão próprios para exterior reduz o risco de choque eléctrico.
- f) **Utilize um disjuntor diferencial se não puder ser evitada a utilização da ferramenta eléctrica em ambiente húmido.** A utilização de um disjuntor diferencial reduz o risco de choque eléctrico.

5.1.3 Segurança física

- a) **Esteja alerta, observe o que está a fazer, e tenha prudência ao trabalhar com uma ferramenta eléctrica. Não use qualquer ferramenta eléctrica se estiver cansado ou sob a influência de drogas, álcool ou medicamentos.** Um momento de distração ao operar a ferramenta eléctrica pode causar ferimentos graves.
- b) **Use equipamento de segurança. Use sempre óculos de protecção.** Equipamento de segurança,

como, por exemplo, máscara antipoeiras, sapatos de segurança antiderrapantes, capacete de segurança ou protecção auricular, de acordo com o tipo e aplicação da ferramenta eléctrica, reduzem o risco de lesões.

- c) **Evite um arranque involuntário. Assegure-se de que a ferramenta eléctrica está desligada antes de a ligar à fonte de alimentação e/ou à bateria, pegar nela ou a transportar.** Transportar a ferramenta eléctrica com o dedo no interruptor ou ligar uma ferramenta à tomada com o interruptor ligado (ON) pode resultar em acidentes.
- d) **Remova quaisquer chaves de ajuste (chaves de fenda), antes de ligar a ferramenta eléctrica.** Um acessório ou chave deixado preso numa parte rotativa da ferramenta pode causar ferimentos.
- e) **Evite posturas corporais desfavoráveis. Mantenha sempre uma posição correcta, em perfeito equilíbrio.** Desta forma será mais fácil manter o controlo sobre a ferramenta eléctrica em situações inesperadas.
- f) **Use roupa apropriada. Não use roupa larga ou jóias. Mantenha o cabelo, vestuário e luvas afastados das peças móveis.** Roupas largas, jóias ou cabelos compridos podem ficar presos nas peças móveis.
- g) **Se poderem ser montados sistemas de aspiração e de recolha de pó, assegure-se de que estão ligados e são utilizados correctamente.** A utilização de um sistema de remoção de pó pode reduzir os perigos relacionados com a exposição ao mesmo.

5.1.4 Utilização e manuseamento da ferramenta eléctrica

- a) **Não sobrecarregue a ferramenta. Use para o seu trabalho a ferramenta eléctrica correcta.** Com a ferramenta eléctrica adequada obterá maior eficiência e segurança se respeitar os seus limites.
- b) **Não utilize a ferramenta eléctrica se o interruptor estiver defeituoso.** Uma ferramenta eléctrica que já não possa ser accionada pelo interruptor é perigosa e deve ser reparada.
- c) **Retire a ficha da tomada e/ou remova a bateria antes de efectuar ajustes na ferramenta, substituir acessórios ou guardar a ferramenta eléctrica.** Esta medida preventiva evita o accionamento acidental da ferramenta eléctrica.
- d) **Guarde ferramentas eléctricas não utilizadas fora do alcance das crianças. Não permita que a ferramenta seja utilizada por pessoas não qualificadas ou que não tenham lido estas instruções.** Ferramentas eléctricas operadas por pessoas não treinadas são perigosas.
- e) **Faça uma manutenção regular das ferramentas eléctricas. Verifique se as partes móveis funcionam perfeitamente e não emperram ou se há peças quebradas ou danificadas que possam influenciar o funcionamento da ferramenta eléctrica. Peças danificadas devem ser reparadas antes da utilização da ferramenta.** Muitos acidentes são cau-

sados por ferramentas eléctricas com manutenção deficiente.

- f) **Mantenha as ferramentas de corte sempre afiadas e limpas.** Ferramentas de corte com gumes afiados tratadas correctamente emperram menos e são mais fáceis de controlar.
- g) **Utilize a ferramenta eléctrica, acessórios, bits, etc., de acordo com estas instruções. Tome também em consideração as condições de trabalho e o trabalho a ser efectuado.** A utilização da ferramenta eléctrica para outros fins além dos previstos, pode ocasionar situações de perigo.

5.1.5 Reparação

- a) **A sua ferramenta eléctrica só deve ser reparada por pessoal qualificado e só devem ser utilizadas peças sobressalentes originais.** Isto assegurará que a segurança da ferramenta eléctrica se mantenha.

5.2 Normas de segurança comuns para trabalhos de rebarbar, lixar com papel abrasivo, trabalhos com escovas de arame e discos de corte

- a) **Esta ferramenta eléctrica é para ser utilizada como rebarbadora, lixadora de papel abrasivo, escova de arame e cortadora por abrasão. Observe todas as normas de segurança, instruções, ilustrações e dados que vêm com a ferramenta.** Caso não observar as instruções que se seguem, pode ocorrer choque eléctrico, incêndio e/ou ferimentos graves.
- b) **Esta ferramenta eléctrica não é adequada para trabalhos de polimento.** Aplicações, para as quais a ferramenta eléctrica não está prevista, podem provocar perigos e ferimentos.
- c) **Não utilize acessórios que não tenham sido previstos e recomendados pelo fabricante especificamente para esta ferramenta eléctrica.** O simples facto de poder fixar o acessório na sua ferramenta eléctrica não garante uma utilização segura.
- d) **A velocidade permitida do acessório deve estar dimensionada para, no mínimo, a velocidade máxima que consta na ferramenta eléctrica.** Acessórios que rodam a uma velocidade superior à permitida podem fragmentar-se e ser projectados.
- e) **Diâmetro exterior e espessura do acessório devem corresponder às dimensões da sua ferramenta eléctrica.** Acessórios mal dimensionados não podem ser resguardados ou controlados o suficiente.
- f) **Acessórios com acoplamento de rosca têm de se ajustar exactamente à rosca do veio de transmissão. No caso dos acessórios que são montados através de flange, o diâmetro do orifício do acessório tem de se ajustar ao diâmetro de encaixe do flange.** Acessórios que não são fixados correctamente na ferramenta eléctrica rodam de forma irregular, vibram fortemente e podem levar à perda do controlo.
- g) **Não utilize acessórios danificados. Antes de cada utilização, examine os acessórios, tais como dis-**

cos de rebarbar quanto a fragmentos e fissuras; discos abrasivos quanto a fissuras, desgaste ou forte deterioração; escovas de arame quanto a arames soltos ou partidos. No caso de a ferramenta eléctrica ou o acessório cair, verifique se ficou danificado, ou utilize um acessório intacto. Quando tiver examinado e montado o acessório, coloque-se a si e pessoas que se encontrem nas proximidades fora do plano do acessório em movimento e deixe trabalhar a ferramenta durante um minuto à velocidade máxima. A maioria dos acessórios danificados quebram-se durante este período de ensaio.

- h) **Use equipamento de segurança. Use máscara protectora integral, guarda-vista ou óculos de protecção consoante a aplicação. Desde que adequado, use máscara antipoeiras, protecção auricular, luvas de protecção ou avental especial para manter pequenas partículas de abrasão e de material afastadas de si.** Os olhos devem ser protegidos de objectos estranhos projectados que são produzidos em diversas aplicações. As máscaras antipoeiras ou respiratórias devem filtrar as poeiras que são produzidas durante a utilização. Se estiver exposto durante muito tempo a ruído intenso, poderá vir a sofrer de perda de audição.
- i) **Assegure-se de que outras pessoas se mantêm afastadas o suficiente da sua zona de trabalho. Cada pessoa que entrar na zona de trabalho tem de usar equipamento de segurança.** Fragmentos da peça a trabalhar ou dos acessórios partidos podem ser projectados e provocar ferimentos mesmo para além da zona de trabalho directa.
- j) **Segure a ferramenta apenas pelas áreas isoladas dos punhos, quando executar trabalhos onde o acessório pode encontrar cabos eléctricos encobertos ou o próprio cabo de rede.** O contacto com um cabo sob tensão também pode colocar partes metálicas da ferramenta sob tensão e causar um choque eléctrico.
- k) **Mantenha o cabo de rede afastado de acessórios em movimento.** Quando perder o controlo sobre a ferramenta, o cabo de rede pode ser cortado ou agarrado e a sua mão ou braço puxado contra o acessório em movimento.
- l) **Nunca pouse a ferramenta eléctrica enquanto o acessório não estiver completamente parado.** O acessório em movimento pode entrar em contacto com a área de colocação, pelo que pode perder o controlo sobre a ferramenta eléctrica.
- m) **Não deixe a ferramenta eléctrica a trabalhar enquanto a transporta.** A sua roupa pode ser agarrada devido a contacto accidental com o acessório em movimento e este perfurar o corpo.
- n) **Limpe regularmente as saídas de ar da sua ferramenta eléctrica.** O ventilador do motor aspira poeiras para dentro da carcaça, podendo originar perigos de origem eléctrica devido a uma forte acumulação de pós metálicos.

- o) **Não utilize a ferramenta eléctrica na proximidade de materiais inflamáveis.** Faiscas podem inflamar tais materiais.
- p) **Não utilize quaisquer acessórios que exijam líquidos de refrigeração.** A utilização de água ou outros líquidos de refrigeração pode resultar num choque eléctrico.

5.3 Normas de segurança em caso de coice

O coice é a reacção repentina em consequência de um acessório em movimento, como disco de rebarbar, prato de rebarbar, escova de arame etc., preso ou bloqueado. A prisão ou bloqueio ocasiona uma paragem súbita do acessório em movimento. Isto faz com que uma ferramenta eléctrica descontrolada seja acelerada no ponto do bloqueio contra o sentido de rotação do acessório. Quando, p.ex., um disco de rebarbar prende ou fica bloqueado numa peça, o rebordo do disco que mergulha na peça pode encravar-se e o disco fugir ou provocar assim um coice. O disco de rebarbar move-se então no sentido do operador ou afasta-se dele, conforme o sentido de rotação do disco no ponto do bloqueio. Isto também pode levar à quebra dos discos de rebarbar. Um coice é a consequência de uma utilização incorrecta ou deficiente da ferramenta eléctrica. Este pode ser evitado através de precauções adequadas, como descrito a seguir.

- a) **Agarre bem a ferramenta eléctrica e coloque o seu corpo e os seus braços numa posição em que poderá absorver as forças do coice. Utilize sempre o punho adicional, caso exista, para ter o máximo controlo possível sobre as forças do coice ou os torques de reacção durante o arranque.** O operador pode dominar as forças do coice e de reacção através de precauções adequadas.
- b) **Nunca coloque a sua mão na proximidade de acessórios em movimento.** O acessório pode, em caso de coice, atravessar a sua mão.
- c) **Afaste o seu corpo da zona para onde a ferramenta eléctrica é deslocada no caso de um coice.** O coice propuliona a ferramenta eléctrica no sentido oposto ao do movimento do disco de rebarbar no ponto do bloqueio.
- d) **Trabalhe com particular precaução perto de cantos, arestas vivas, etc. Evite que acessórios ressaltem da peça e encravem.** O acessório em movimento tem a tendência de se encravar em cantos, arestas vivas ou quando ressalta, o que provoca uma perda de controlo ou coice.
- e) **Não utilize uma lâmina de serra de cadeia ou dentada.** Acessórios deste tipo provocam frequentemente um coice ou a perda do controlo sobre a ferramenta eléctrica.

5.4 Normas de segurança especiais para trabalhos de rebarbar e de corte por abrasão

- a) **Utilize exclusivamente os rebolos autorizados para a sua ferramenta eléctrica e o resguardo de disco previsto para estes rebolos.** Rebolos que não estão previstos para a ferramenta eléctrica não

podem ser resguardados o suficiente e não são seguros.

- b) **Discos de rebarbar côncavos devem ser montados de tal forma que a sua superfície de rebarbar não sobressaia do plano do rebordo do resguardo.** Um disco de rebarbar incorrectamente montado que sobressaia do plano do rebordo do resguardo não pode ser suficientemente blindado.
- c) **O resguardo de disco tem de estar bem colocado na ferramenta eléctrica e ajustado para um máximo de segurança de modo que a parte mais pequena possível do rebolo esteja virada para o operador de forma desprotegida.** O resguardo de disco ajuda a proteger o operador de fragmentos, contacto accidental com o rebolo bem como faiscas que podem incendiar o vestuário.
- d) **Rebolos só podem ser utilizados para as possibilidades de aplicação recomendadas. Por exemplo: nunca rebarbe com a superfície lateral de um disco de corte.** Discos de corte destinam-se à abrasão de material com o rebordo do disco. A aplicação lateral de força sobre estes rebolos pode parti-los.
- e) **Utilize sempre falanges de aperto não danificadas, com a dimensão e forma apropriadas para o disco de rebarbar por si escolhido.** Falanges adequadas apoiam o disco de rebarbar e reduzem assim o perigo de um quebra do disco. Falanges para discos de corte podem ser diferentes das para outros discos de rebarbar.
- f) **Não utilize discos de rebarbar gastos de ferramentas eléctricas maiores.** Discos de rebarbar para ferramentas eléctricas maiores não estão dimensionados para as velocidades mais elevadas de ferramentas eléctricas mais pequenas, podendo partir.

5.5 Outras normas de segurança especiais para trabalhos de corte por abrasão

- a) **Evite o bloqueio do disco de corte ou força de encosto excessiva. Não execute cortes excessivamente fundos.** Uma sobrecarga do disco de corte aumenta o respectivo esforço e a predisposição para encravar ou bloquear e, assim, a possibilidade de um coice ou quebra do rebolo.
- b) **Evite a zona à frente e atrás do disco de corte em movimento.** Quando afasta de si o disco de corte na peça, a ferramenta eléctrica com o disco em movimento pode, no caso de um coice, ser projectada directamente na sua direcção.
- c) **Caso o disco de corte encrave ou interromper o trabalho, desligue a ferramenta e segure-a com calma, até o disco estar imobilizado. Nunca tente puxar o disco ainda a rodar do corte; senão, pode resultar daí um coice.** Determine e corrija a causa de o disco encravar.
- d) **Enquanto a ferramenta eléctrica se encontra encravada na peça, não volte a ligá-la. Deixe que o disco de corte atinja primeiro a sua velocidade plena, antes de continuar, com precaução, o corte.** Caso contrário, o disco pode prender, saltar da peça ou provocar um coice.

- e) **Escore placas ou peças grandes, de modo a diminuir o perigo de um coice devido a um disco de corte encravado.** Peças grandes podem flectir sob o seu próprio peso. A peça tem de ser escorada de ambos os lados, tanto na proximidade do corte de separação como também na borda.
- f) **Tenha particular atenção no caso de "cortes de entalhe" em paredes existentes ou noutras áreas não inspecionáveis.** Ao mergulhar na peça, o disco de corte pode provocar um coice durante o corte em tubagens de gás ou água, cabos eléctricos ou outros objectos.

5.6 Normas de segurança especiais para trabalhos com escovas de arame

- a) **Tenha em conta que a escova de arame também perde pontas de arame durante a utilização normal. Não sobrecarregue os arames exercendo pressão de encosto excessiva.** Pontas de arame projectadas podem atravessar facilmente roupa de pouca espessura e/ou a pele.
- b) **No caso de ser recomendado um resguardo de disco, impeça que o resguardo de disco e a escova de arame se possam tocar.** Escovas de disco e de copo podem aumentar o respectivo diâmetro devido à pressão de encosto e forças centrífugas.

5.7 Normas de segurança adicionais

5.7.1 Segurança física

- a) **Segure a ferramenta sempre com as duas mãos nos punhos previstos para o efeito. Mantenha os punhos secos, limpos e isentos de óleos e massas.**
- b) **Se a ferramenta for utilizada sem o dispositivo de aspiração de poeira, é indispensável colocar uma máscara antipoeiras.**
- c) **Faça pausas para relaxar os músculos e melhorar a circulação sanguínea nas mãos.**
- d) **Evite o contacto com peças rotativas. Ligue a ferramenta apenas quando estiver no local de trabalho.** O contacto com peças rotativas, nomeadamente brocas, discos, lâminas, etc., pode causar ferimentos.
- e) **Durante o trabalho, mantenha o cabo de alimentação e a extensão sempre na parte de trás da ferramenta.** Evita assim tropeçar no cabo durante os trabalhos.
- f) **Deve ensinar-se às crianças que não podem brincar com a ferramenta.**
- g) **A ferramenta não está concebida para a utilização por crianças ou pessoas debilitadas sem formação.**
- h) **AVISO: Alguns tipos de pó que são produzidos ao desbastar, rebarbar, cortar e furar, contêm agentes químicos conhecidos pelos seus efeitos cancerígenos e teratogénicos, que podem provocar esterilidade e danos permanentes das vias respiratórias ou outros.** Alguns desses agentes químicos são chumbo contido em tinta de chumbo, quartzo cristalino proveniente de tijolos, betão, alvenaria ou pedras naturais, ou, também, arsénico e crómio

provenientes de madeira de construção tratada quimicamente. A perigosidade para si varia, consoante a frequência com que efectua estes trabalhos. **Para minimizar a exposição a estes agentes químicos, os utilizadores e terceiros devem trabalhar num espaço bem ventilado, bem como usar equipamentos de segurança apropriados. Use uma máscara antipoeiras adequada para determinar pó, que possa filtrar partículas microscópicas e manter o pó afastado da face e do corpo. Evite o contacto permanente com pó. Use roupa de protecção e lave a área da pele afectada com água e sabão.** A absorção de pó através da boca, dos olhos ou o contacto permanente dos pó com a pele pode promover a absorção de agentes químicos com risco de efeitos graves para a saúde.

5.7.2 Utilização e manutenção de ferramentas eléctricas

- a) **Os discos de rebarbar devem ser guardados e manuseados de acordo com as instruções do fabricante.**
- b) **Verifique se o disco está colocado na ferramenta conforme as instruções do fabricante.**
- c) **Certifique-se de que são utilizados intercalares quando exigidos ou disponibilizados com o disco de corte e rebarbar.**
- d) **Nunca deve utilizar a ferramenta eléctrica sem o respectivo resguardo.**
- e) **A peça a trabalhar deve estar suficientemente fixa.**
- f) **Certifique-se de que os discos de corte e rebarbar são fixos e aplicados correctamente antes da utilização, e deixe o disco trabalhar em vazio durante 30 s numa posição segura. Se notar uma vibração elevada ou qualquer outra anomalia, desligue imediatamente a ferramenta, e verifique o disco para determinar a causa.**
- g) **Não utilize discos de corte para rebarbar.**
- h) **Não utilize discos abrasivos do tipo 27 com porca tensora integrada.**
- i) **Após uma quebra do disco, uma queda ou outros danos de origem mecânica, a ferramenta terá de ser verificada num Centro de Assistência Técnica Hilti.**
- j) **Certifique-se que as faíscas originadas não representam qualquer perigo, p.ex., para si ou para outras pessoas nem fazem incendiar substâncias inflamáveis. Para o efeito, coloque o resguardo correctamente.**
- k) **Em caso de corte de energia: desligue a ferramenta e retire a ficha da tomada. Isto impede que a ferramenta seja colocada involuntariamente em funcionamento quando o corte de energia é reparado.**

5.7.3 Segurança eléctrica



- a) **Antes de iniciar os trabalhos, verifique o local de trabalho relativamente a cabos eléctricos encobertos, bem como tubos de gás e água, p.ex., com um detector de metais.** Partes metálicas externas da ferramenta podem transformar-se em condutores de corrente se, p.ex., uma linha eléctrica for danificada inadvertidamente. Isto representa um sério perigo de choque eléctrico.
- b) **Verifique o cabo eléctrico regularmente. Se danificado, o cabo deve ser imediatamente substituído por um especialista. Quando o cabo de ligação da ferramenta eléctrica está danificado, deve ser substituído por um cabo de ligação específico, que se encontra disponível através do Serviço de Clientes Hilti. Verifique as extensões de cabo regularmente. Se estiverem danificadas, deverão ser substituídas. Se danificar o cabo enquanto trabalha, não lhe toque e desligue a máquina imediatamente. Desligue a máquina da corrente. Linhas de conexão e extensões danificadas representam um risco de choque eléctrico.**
- c) **Deste modo, as ferramentas utilizadas frequentemente para trabalhar materiais condutores e consequentemente muito sujas, devem ser verificadas num Centro de Assistência Técnica Hilti a intervalos regulares.** Humidade ou sujidade na superfície da ferramenta dificultam o seu manuseio e, sob condições desfavoráveis, podem causar choques eléctricos.

- d) **Se trabalhar com uma ferramenta eléctrica no exterior, certifique-se de que a ferramenta está ligada à rede eléctrica por meio de um disjuntor diferencial (GFCI) com uma corrente de disparo de, no máximo, 30 mA.** A utilização de um disjuntor diferencial reduz o risco de choque eléctrico.
- e) **Por princípio, recomendamos a utilização de um disjuntor diferencial (GFCI) com uma corrente de disparo de, no máximo, 30 mA.**

5.7.4 Local de trabalho

- a) **Assegure-se de que o local de trabalho está bem iluminado.**
- b) **Assegure-se de que o local de trabalho está bem ventilado.** Áreas de trabalho mal ventiladas podem suscitar problemas de saúde devido à inalação de pó.

5.7.5 Equipamento de protecção pessoal



O utilizador e restantes pessoas que se encontrem na proximidade da ferramenta devem usar óculos de protecção adequados e aprovados em conformidade com a norma ANSI Z87.1, capacete de segurança, protecção auricular, luvas de protecção e máscara antipoeiras.

6 Antes de iniciar a utilização



AVISO

Nunca deve utilizar a ferramenta eléctrica sem o respectivo resguardo.

PERIGO

Retire a ficha da tomada antes de efectuar ajustes no aparelho, substituir acessórios ou guardar o aparelho. Esta medida preventiva evita o accionamento accidental da ferramenta.

CUIDADO

Use luvas de protecção durante a montagem, desmontagem, trabalhos de ajuste e durante a eliminação de avarias.

6.1 Colocar o punho auxiliar

AVISO

O punho auxiliar deve estar colocado sempre que a ferramenta é utilizada.

Apertar o punho auxiliar pelo lado esquerdo ou direito da ferramenta.

6.2 Resguardo do disco

CUIDADO

Altere a posição do resguardo consoante o trabalho em causa.

CUIDADO

O lado fechado do resguardo deve estar sempre voltado para o operador.

6.2.1 Montar resguardo do disco ou resguardo do disco com chapa de cobertura **7**

NOTA

O resguardo de disco está equipado com ranhuras de posicionamento que garantem que apenas os resguardos adequados podem ser utilizados nestas rebarbadoras. As ranhuras de posicionamento do resguardo de disco encaixam no respectivo suporte da ferramenta.

1. Coloque o resguardo de disco na gola do veio de forma a que as duas marcas triangulares no resguardo e na ferramenta coincidam.
2. Empurre o resguardo do disco contra a gola em torno do veio de transmissão; pressione o botão de destravamento do resguardo e rode o resguardo de disco até que encaixe, e o botão de destravamento volte para trás.

6.2.2 Ajustar o resguardo de disco **8**

1. Pressione o botão de destravamento do resguardo e rode o resguardo de disco para a posição desejada até que encaixe.

6.2.3 Desmontar resguardo do disco ou resguardo do disco com chapa de cobertura

1. Pressione o botão de destravamento do resguardo e rode o resguardo de disco até que as duas marcas triangulares no resguardo e na ferramenta coincidam.
2. Levante o resguardo de disco.

6.2.4 Montar e desmontar a tampa dianteira (DEG 500-P) **9**

1. Coloque a tampa dianteira com o lado fechado, como ilustrado na imagem, sobre o resguardo de origem até que o fecho engate.
2. Para desmontar a tampa dianteira, abra o fecho da mesma e separe-a do resguardo de origem.

6.3 Montar e desmontar o acessório **10 11**

CUIDADO

Use luvas de protecção durante a montagem, desmontagem, trabalhos de ajuste e durante a eliminação de avarias.

PERIGO

Certifique-se de que o número de rotações indicado nos discos de corte e rebarbar é igual ou superior ao indicado na ferramenta.

PERIGO

Verifique o estado do disco de corte e rebarbar antes de o utilizar. Não use discos partidos, rachados ou de outro modo danificados.

NOTA

Discos diamantados têm de ser substituídos logo que o capacidade de corte ou rebarbar diminuir perceptivelmente. Isso acontece em geral quando a altura dos segmentos diamantados é inferior a $\frac{1}{16}$ ". Outros tipos de discos têm de ser substituídos logo que a capacidade de corte diminuir perceptivelmente ou partes da rebarbadora angular (excepto o disco) entrarem durante o trabalho em contacto com o material a trabalhar. Discos abrasivos têm de ser substituídos uma vez expirado o prazo de validade.

1. Limpe a falange de aperto.
2. Coloque a falange de aperto no veio de transmissão.
3. Coloque o acessório.
4. Aperte a porca tensora consoante o acessório utilizado **11**.
5. **CUIDADO O botão de bloqueio do veio só pode ser accionado quando o veio parar de rodar.** Pressione o botão de bloqueio do veio e mantenha-o pressionado.
6. Com a chave de aperto, aperte a porca tensora e solte em seguida o botão de bloqueio do veio.
7. Para desmontar o módulo, execute os passos de trabalho correspondentes pela ordem inversa.

6.4 Montar e desmontar o acessório com rosca incorporada

1. Aparafuse o acessório ao veio de transmissão.
2. **CUIDADO O botão de bloqueio do veio só pode ser accionado quando o veio parar de rodar.** Pressione o botão de bloqueio do veio e mantenha-o pressionado.
3. Aperte o acessório com uma chave de forqueta e solte em seguida o botão de bloqueio do veio.
4. Para desmontar, execute os passos de trabalho correspondentes pela ordem inversa.

6.5 Rotação da cabeça de engrenagem **12**

NOTA

Para permitir que a ferramenta seja utilizada em segurança e sem fadiga em todas as posições (p.ex., com o interruptor virado para cima), a cabeça de engrenagem pode ser rodada, em incrementos de 90°, para uma de quatro posições.

1. Desligue a máquina da corrente.
2. Limpe a ferramenta.
3. Retire o punho auxiliar da ferramenta.
4. Retire os quatro parafusos da cabeça de engrenagem.
5. Rode a cabeça de engrenagem para a posição desejada sem a puxar para fora da ferramenta.
6. Fixe a cabeça de engrenagem com os quatro parafusos.
7. Coloque o punho auxiliar.

7 Utilização



NOTA

Altere a posição do resguardo consoante o trabalho em causa.

PERIGO

Use protecção auricular. Ruído em excesso pode levar à perda de audição.

AVISO

Para efeitos de verificação, deixar discos de corte/rebarbar novos a trabalhar durante pelo menos 60 segundos, à velocidade máxima em vazio, numa área de trabalho vedada.

AVISO

As aberturas (roços) em paredes de suporte ou outras estruturas podem influenciar a estática da estrutura, especialmente ao cortar/atravessar armadura. **O engenheiro, arquitecto ou responsável pelo projecto devem ser consultados antes de iniciar os trabalhos de corte/abertura de roços.**

AVISO

A corrente eléctrica deve corresponder à indicada na placa de características da ferramenta.

AVISO

Utilize sempre a ferramenta com o punho auxiliar acoplado.

AVISO

Nunca deve utilizar a ferramenta eléctrica sem o respectivo resguardo.

AVISO

Use grampos ou o torno para segurar peças soltas.

AVISO

O processo de corte/rebarbar pode fragmentar o material. **Use óculos de protecção.**

PERIGO

O operador e restantes pessoas que se encontrem nas proximidades devem usar uma máscara antipoeiras ligeira nos trabalhos que originam pó.

AVISO

Evite o contacto com peças rotativas. Ligue a ferramenta apenas quando estiver no local de trabalho. O contacto com peças rotativas, nomeadamente brocas, discos, lâminas, etc., pode causar ferimentos.

CUIDADO

Após utilização prolongada, a ferramenta pode ficar quente. **Use luvas de protecção quando substituir os acessórios!**

AVISO

Reduza a carga sobre a ferramenta evitando inclinar o disco em relação ao plano de corte. De contrário, a ferramenta pode parar, dar-se um contragolpe ou o disco quebrar.

CUIDADO

Faça pausas para relaxar os músculos e melhorar a circulação sanguínea nas mãos.

AVISO

Mantenha materiais inflamáveis afastados da área de trabalho.

CUIDADO

A ferramenta possui, em conformidade com as suas aplicações, um torque (binário) elevado. **Utilize a ferramenta com o punho auxiliar e segure-a sempre com ambas as mãos.** O operador tem de estar preparado para a eventualidade de a ferramenta bloquear repentinamente.

CUIDADO

O tratamento do material base pode fragmentá-lo. **Use óculos de protecção, luvas de protecção e máscara antipoeiras quando o sistema de aspiração de poeira não for utilizado.** Material fragmentado pode causar ferimentos no corpo e nos olhos.

7.1 Desbastar por abrasão

CUIDADO

Nunca utilize discos de corte por abrasão para desbastar por abrasão.

Para desbastar por abrasão, consegue-se o melhor resultado com um ângulo de ataque de 5° a 30°. Mova a ferramenta em movimentos pendulares aplicando uma pressão moderada. Assim, a peça não aquece em demasia, não muda de cor e não ficam estrias.

7.2 Cortar por abrasão

Ao cortar por abrasão, trabalhe com avanço moderado e não emperre a ferramenta ou o disco de corte por abrasão (aprox. 90° em relação ao plano de corte). A melhor maneira de separar perfis e tubos quadrados pequenos é aplicar a ferramenta na parte com a secção mais pequena.

7.3 Ligar/desligar sem bloquear o interruptor (DEG 500-D ou DEG 600-D)

7.3.1 Ligar

1. Ligue a ferramenta à corrente eléctrica.
2. Empurre o interruptor para a frente e pressione-o em seguida a fundo.

7.3.2 Desligar

Solte o interruptor ON/OFF.

7.4 Ligar/desligar bloqueando o interruptor (DEG 600-P)

NOTA

Se com o interruptor bloqueado, retirar a ficha da tomada e, em seguida, voltar a metê-la, a ferramenta não arranca. Com a ferramenta desligada da corrente, deve

primeiro soltar o bloqueio, e só depois introduzir a ficha na tomada.

7.4.1 Ligar e bloquear

1. Ligue a ferramenta à corrente eléctrica.
2. Empurre o interruptor para a frente (3 mm), pressione-o a fundo e, na posição pressionada, volte a empurrá-lo para a frente até bloquear.

7.4.2 Desligar após o bloqueio

Pressione a parte dianteira do interruptor. (O bloqueio solta-se)

7.5 Bloqueio de arranque

NOTA

Se, com o interruptor bloqueado, retirar a ficha da tomada e, em seguida, voltar a metê-la, a ferramenta não arranca. Com a ferramenta desligada da corrente, deve primeiro soltar o bloqueio, e só depois introduzir a ficha na tomada.

8 Conservação e manutenção

CUIDADO

Desligue a máquina da corrente.

8.1 Manutenção da ferramenta

PERIGO

Ao trabalhar metais pode, em condições de utilização extremas, depositar-se pó condutor no interior da ferramenta. O isolamento duplo da ferramenta pode ficar comprometido. **Em tais casos é recomendável utilizar um sistema de aspiração fixo, limpar frequentemente as saídas de ar e ligar em série um interruptor de protecção contra corrente de fuga (GFCI).**

A carcaça exterior da ferramenta é fabricada em plástico resistente a impactos. O punho é feito de uma borracha sintética.

As saídas de ar devem estar sempre limpas e desobstruídas! Limpe regularmente as saídas de ar cuidadosamente com uma escova seca. Evite a penetração de corpos estranhos no interior da ferramenta. O ventilador do motor aspira pó para dentro da carcaça, podendo originar perigos de origem eléctrica devido a uma forte acumulação de pós condutores (por ex., metal, fibra de carbono). Limpe regularmente o exterior da ferramenta com um pano ligeiramente húmido. Não utilize qualquer spray, sistema de vapor ou água, pois poderá afectar negativamente a parte eléctrica da ferramenta. Mantenha

os punhos da ferramenta limpos de óleo e massa. Não utilize produtos de limpeza que contenham silicone.

NOTA

Trabalhar frequentemente materiais condutores (por ex., metal, fibras de carbono) pode implicar intervalos de manutenção mais curtos. Observe a sua análise de risco individual do posto de trabalho.

8.2 Manutenção

AVISO

Não ligue a ferramenta se houver partes danificadas, incompletas ou se os comandos operativos não estiverem a funcionar correctamente. Nesse caso, mande reparar a ferramenta num Centro de Assistência Técnica Hilti.

AVISO

As reparações na parte eléctrica apenas podem ser executadas por um electricista especializado.

Examine periodicamente todos os componentes e partes externas da ferramenta prevenindo assim o seu perfeito funcionamento.

8.3 Verificação da ferramenta após manutenção

Após cada manutenção da ferramenta, verifique se todos os dispositivos de segurança estão correctamente montados e perfeitamente operacionais.

9 Avarias possíveis

Falha	Causa possível	Solução
A ferramenta não arranca.	Não recebe corrente eléctrica.	Ligue uma outra ferramenta na mesma tomada para verificar se esta tem corrente.
	Cabo de alimentação ou ficha com defeito.	Mandar verificar por um electricista especializado. Mandar substituir, se for necessário.
Fraca performance da ferramenta.	Extensão de cabo com secção inadequada.	Use uma extensão eléctrica com secção apropriada.

pt

10 Reciclagem



As ferramentas Hilti são, em grande parte, fabricadas com materiais recicláveis. Um pré-requisito para a reciclagem é que esses materiais sejam devidamente separados. A Hilti já iniciou em muitos países a recolha da sua ferramenta usada para fins de reaproveitamento. Para mais informações dirija-se ao Serviço de Clientes Hilti ou ao seu vendedor.

11 Garantia do fabricante - Ferramentas

A Hilti garante que a ferramenta fornecida está isenta de quaisquer defeitos de material e de fabrico. Esta garantia é válida desde que a ferramenta seja utilizada e manuseada, limpa e revista de forma adequada e de acordo com o manual de instruções Hilti e desde que o sistema técnico seja mantido, isto é, sob reserva da utilização exclusiva na ferramenta de consumíveis, componentes e peças originais Hilti.

A garantia limita-se rigorosamente à reparação gratuita ou substituição das peças com defeito de fabrico durante todo o tempo de vida útil da ferramenta. A garantia não cobre peças sujeitas a um desgaste normal de uso.

Estão excluídas desta garantia quaisquer outras situações susceptíveis de reclamação, salvo legislação

nacional aplicável em contrário. Em caso algum será a Hilti responsável por danos indirectos, directos, accidentais ou pelas consequências daí resultantes, perdas ou despesas em relação ou devidas à utilização ou incapacidade de utilização da ferramenta, seja qual for a finalidade. A Hilti exclui em particular as garantias implícitas respeitantes à utilização ou aptidão para uma finalidade particular.

Para toda a reparação ou substituição, enviar a ferramenta ou as peças para o seu centro de vendas Hilti, imediatamente após detecção do defeito.

Estas são todas e as únicas obrigações da Hilti no que se refere à garantia, as quais anulam todas as declarações, acordos orais ou escritos anteriores ou contemporâneos referentes à garantia.



Hilti Corporation

LI-9494 Schaan

Tel.: +423 / 234 21 11

Fax: +423 / 234 29 65

www.hilti.com

1 609 92A 0JF

Hilti = registered trademark of Hilti Corp., Schaan

W 3105 | 1213 | 10-Pos. 3 | 1

Printed in Germany © 2013

Right of technical and programme changes reserved S. E. & O.

285964 / A3



285964