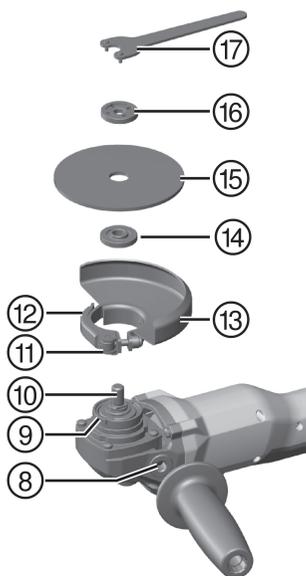
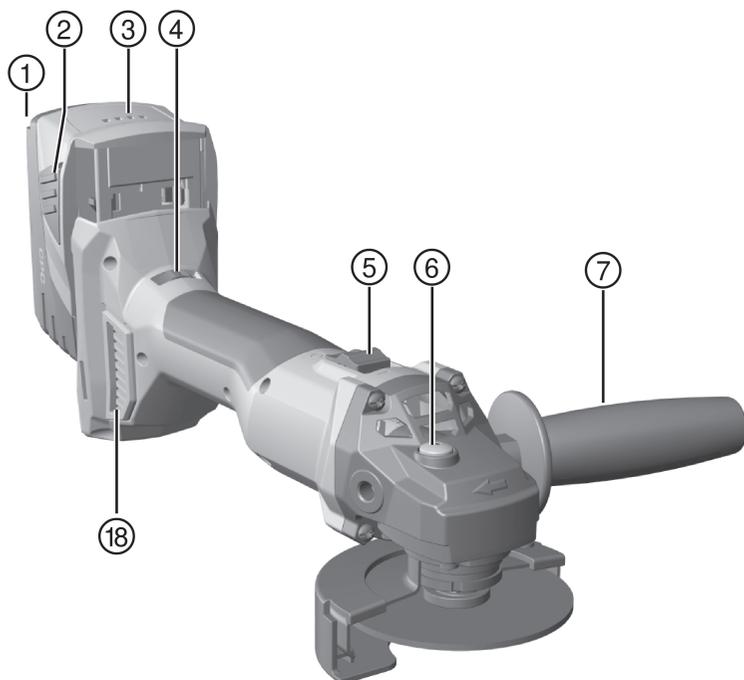




# AG 4S-A22

English	1
日本語	16
한국어	31
繁體中文	45
中文	58



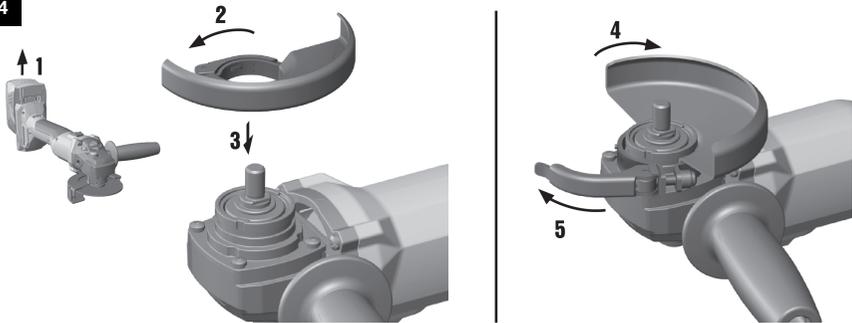
2



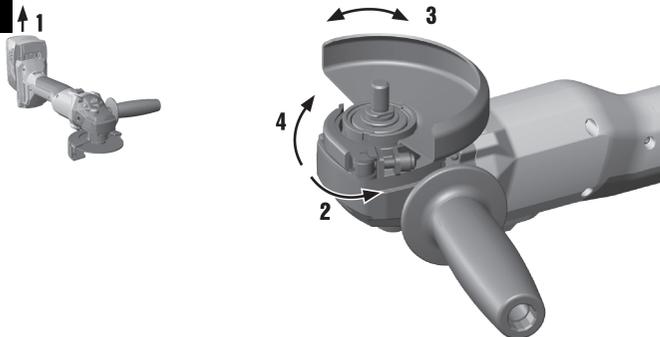
3



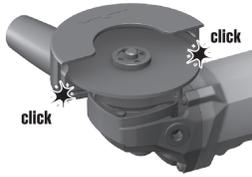
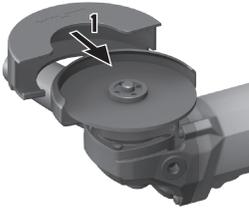
4



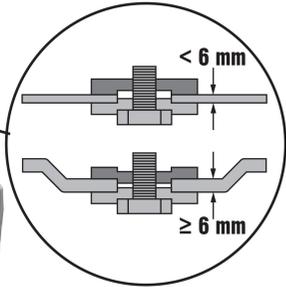
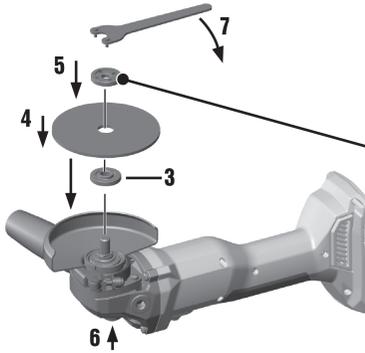
5



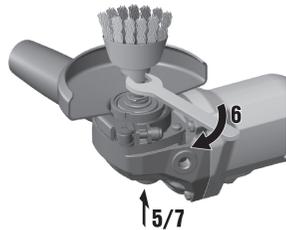
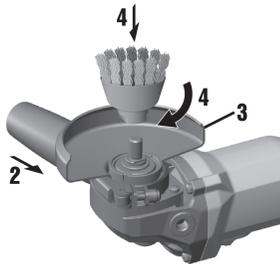
6



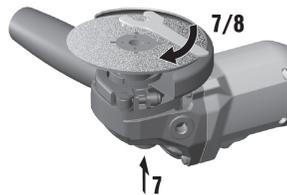
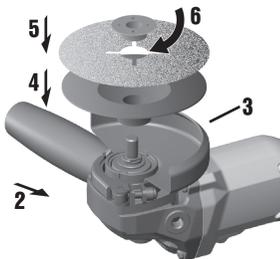
7



8



9



# AG 4S-A22

en	Original operating instructions .....	1
ja	オリジナル取扱説明書 .....	16
ko	오리지널 사용 설명서 .....	31
zh	原始操作說明 .....	45
cn	原版操作说明 .....	58



# 1 Information about the documentation

## 1.1 About this documentation

- Read this documentation before initial operation or use. This is a prerequisite for safe, trouble-free handling and use of the product.
- Observe the safety instructions and warnings in this documentation and on the product.
- Always keep the operating instructions with the product and make sure that the operating instructions are with the product when it is given to other persons.

## 1.2 Explanation of symbols used

### 1.2.1 Warnings

Warnings alert persons to hazards that occur when handling or using the product. The following signal words are used:



**DANGER !**

- ▶ Draws attention to imminent danger that will lead to serious personal injury or fatality.



**WARNING !**

- ▶ Draws attention to a potential threat of danger that can lead to serious injury or fatality.



**CAUTION !**

- ▶ Draws attention to a potentially dangerous situation that could lead to slight personal injury or damage to the equipment or other property.

### 1.2.2 Symbols in the documentation

The following symbols are used in this document:

	Read the operating instructions before use.
	Instructions for use and other useful information
	Dealing with recyclable materials
	Do not dispose of electric equipment and batteries as household waste

### 1.2.3 Symbols in the illustrations

The following symbols are used in illustrations:

	These numbers refer to the corresponding illustrations found at the beginning of these operating instructions
3	The numbering reflects the sequence of operations shown in the illustrations and may deviate from the steps described in the text
	Item reference numbers are used in the <b>overview illustrations</b> and refer to the numbers used in the <b>product overview section</b>
	This symbol is intended to draw special attention to certain points when handling the product.

## 1.3 Product-dependent symbols

### 1.3.1 Symbols on the product

The following symbols are used on the product:



2223269

	Wear eye protection
n	Rated speed
/min	Revolutions per minute
RPM	Revolutions per minute
	Diameter
	Direct current (DC)
	The product supports wireless data transmission compatible with iOS and Android platforms.
Li-ion	Li-ion battery
	<b>Hilti</b> Li-ion battery type series used. Observe the information given in the section headed <b>Intended use</b> .
	Never use the battery as a striking tool.
	Do not drop the battery. Never use a battery that has suffered an impact or is damaged in any other way.

## 1.4 Product information

products are designed for professional users and only trained, authorized personnel are permitted to operate, service and maintain the products. This personnel must be specifically informed about the possible hazards. The product and its ancillary equipment can present hazards if used incorrectly by untrained personnel or if used not in accordance with the intended use.

The type designation and serial number are printed on the rating plate.

- ▶ Write down the serial number in the table below. You will be required to state the product details when contacting Hilti Service or your local Hilti organization to inquire about the product.

### Product information

Angle grinder	AG 4S-A22
Generation	01
Serial no.	

## 1.5 Declaration of conformity

We declare, on our sole responsibility, that the product described here complies with the applicable directives and standards. A copy of the declaration of conformity can be found at the end of this documentation.

The technical documentation is filed here:

Hilti Entwicklungsgesellschaft mbH | Tool Certification | Hiltistrasse 6 | 86916 Kaufering, Germany

## 2 Safety

### 2.1 Safety instructions

#### 2.1.1 General power tool safety warnings

**⚠ WARNING Read all safety warnings, instructions, illustrations and specifications provided with this power tool.** Failure to follow all instructions listed below may result in electric shock, fire and/or serious injury. **Save all warnings and instructions for future reference.**

The term "power tool" in the warnings refers to your mains-operated (corded) power tool or battery-operated (cordless) power tool.

#### Work area safety

- ▶ **Keep work area clean and well lit.** Cluttered or dark areas invite accidents.



- ▶ **Do not operate power tools in explosive atmospheres, such as in the presence of flammable liquids, gases or dust.** Power tools create sparks which may ignite the dust or fumes.
- ▶ **Keep children and bystanders away while operating a power tool.** Distractions can cause you to lose control.

#### Electrical safety

- ▶ **Power tool plugs must match the outlet. Never modify the plug in any way. Do not use any adapter plugs with earthed (grounded) power tools.** Unmodified plugs and matching outlets will reduce risk of electric shock.
- ▶ **Avoid body contact with earthed or grounded surfaces, such as pipes, radiators, ranges and refrigerators.** There is an increased risk of electric shock if your body is earthed or grounded.
- ▶ **Do not expose power tools to rain or wet conditions.** Water entering a power tool will increase the risk of electric shock.
- ▶ **Do not abuse the cord. Never use the cord for carrying, pulling or unplugging the power tool. Keep cord away from heat, oil, sharp edges or moving parts.** Damaged or entangled cords increase the risk of electric shock.
- ▶ **When operating a power tool outdoors, use an extension cord suitable for outdoor use.** Use of a cord suitable for outdoor use reduces the risk of electric shock.
- ▶ **If operating a power tool in a damp location is unavoidable, use a residual current device (RCD) protected supply.** Use of an RCD reduces the risk of electric shock.

#### Personal safety

- ▶ **Stay alert, watch what you are doing and use common sense when operating a power tool. Do not use a power tool while you are tired or under the influence of drugs, alcohol or medication.** A moment of inattention while operating power tools may result in serious personal injury.
- ▶ **Use personal protective equipment. Always wear eye protection.** Protective equipment such as a dust mask, non-skid safety shoes, hard hat or hearing protection used for appropriate conditions will reduce personal injuries.
- ▶ **Prevent unintentional starting. Ensure the switch is in the off-position before connecting to power source and/or battery pack, picking up or carrying the tool.** Carrying power tools with your finger on the switch or energising power tools that have the switch on invites accidents.
- ▶ **Remove any adjusting key or wrench before turning the power tool on.** A wrench or a key left attached to a rotating part of the power tool may result in personal injury.
- ▶ **Do not overreach. Keep proper footing and balance at all times.** This enables better control of the power tool in unexpected situations.
- ▶ **Dress properly. Do not wear loose clothing or jewellery. Keep your hair, clothing and gloves away from moving parts.** Loose clothes, jewellery or long hair can be caught in moving parts.
- ▶ **If devices are provided for the connection of dust extraction and collection facilities, ensure these are connected and properly used.** Use of dust collection can reduce dust-related hazards.
- ▶ **Do not let familiarity gained from frequent use of tools allow you to become complacent and ignore tool safety principles.** A careless action can cause severe injury within a fraction of a second.

#### Power tool use and care

- ▶ **Do not force the power tool. Use the correct power tool for your application.** The correct power tool will do the job better and safer at the rate for which it was designed.
- ▶ **Do not use the power tool if the switch does not turn it on and off.** Any power tool that cannot be controlled with the switch is dangerous and must be repaired.
- ▶ **Disconnect the plug from the power source and/or remove the battery pack, if detachable, from the power tool before making any adjustments, changing accessories, or storing power tools.** Such preventive safety measures reduce the risk of starting the power tool accidentally.
- ▶ **Store idle power tools out of the reach of children and do not allow persons unfamiliar with the power tool or these instructions to operate the power tool.** Power tools are dangerous in the hands of untrained users.
- ▶ **Maintain power tools and accessories. Check for misalignment or binding of moving parts, breakage of parts and any other condition that may affect the power tool's operation. If damaged, have the power tool repaired before use.** Many accidents are caused by poorly maintained power tools.
- ▶ **Keep cutting tools sharp and clean.** Properly maintained cutting tools with sharp cutting edges are less likely to bind and are easier to control.
- ▶ **Use the power tool, accessories and tool bits etc. in accordance with these instructions, taking into account the working conditions and the work to be performed.** Use of the power tool for operations different from those intended could result in a hazardous situation.



- ▶ **Keep handles and grasping surfaces dry, clean and free from oil and grease.** Slippery handles and grasping surfaces do not allow for safe handling and control of the tool in unexpected situations.

#### **Battery tool use and care**

- ▶ **Recharge only with the charger specified by the manufacturer.** A charger that is suitable for one type of battery pack may create a risk of fire when used with another battery pack.
- ▶ **Use power tools only with specifically designated battery packs.** Use of any other battery packs may create a risk of injury and fire.
- ▶ **When battery pack is not in use, keep it away from other metal objects, like paper clips, coins, keys, nails, screws or other small metal objects, that can make a connection from one terminal to another.** Shorting the battery terminals together may cause burns or a fire.
- ▶ **Under abusive conditions, liquid may be ejected from the battery; avoid contact. If contact accidentally occurs, flush with water. If liquid contacts eyes, additionally seek medical help.** Liquid ejected from the battery may cause irritation or burns.
- ▶ **Do not use a battery pack or tool that is damaged or modified.** Damaged or modified batteries may exhibit unpredictable behaviour resulting in fire, explosion or risk of injury.
- ▶ **Do not expose a battery pack or tool to fire or excessive temperature.** Exposure to fire or temperature above 130° C (265 °F) may cause explosion.
- ▶ **Follow all charging instructions and do not charge the battery pack or tool outside the temperature range specified in the instructions.** Charging improperly or at temperatures outside the specified range may damage the battery and increase the risk of fire.

#### **Service**

- ▶ **Have your power tool serviced by a qualified repair person using only identical replacement parts.** This will ensure that the safety of the power tool is maintained.
- ▶ **Never service damaged battery packs.** Service of battery packs should only be performed by the manufacturer or authorized service providers.

#### **2.1.2 Safety warnings common for grinding, sanding, wire brushing, polishing or abrasive cutting-off operations:**

- ▶ **This power tool is intended to function as a grinder, sander, wire brush or cut-off tool. Read all safety warnings, instructions, illustrations and specifications provided with this power tool.** Failure to follow all instructions listed below may result in electric shock, fire and/or serious injury.
- ▶ **Operations such as polishing are not recommended to be performed with this power tool.** Operations for which the power tool was not designed may create a hazard and cause personal injury.
- ▶ **Do not use accessories which are not specifically designed and recommended by the tool manufacturer.** Just because the accessory can be attached to your power tool, it does not assure safe operation.
- ▶ **The rated speed of the accessory must be at least equal to the maximum speed marked on the power tool.** Accessories running faster than their rated speed can break and fly apart.
- ▶ **The outside diameter and the thickness of your accessory must be within the capacity rating of your power tool.** Incorrectly sized accessories cannot be adequately guarded or controlled.
- ▶ **Threaded mounting of accessories must match the grinder spindle thread. For accessories mounted by flanges, the arbour hole of the accessory must fit the locating diameter of the flange.** Accessories that do not match the mounting hardware of the power tool will run out of balance, vibrate excessively and may cause loss of control.
- ▶ **Do not use a damaged accessory. Before each use inspect the accessory such as abrasive wheels for chips and cracks, backing pad for cracks, tear or excess wear, wire brush for loose or cracked wires. If power tool or accessory is dropped, inspect for damage or install an undamaged accessory. After inspecting and installing an accessory, position yourself and bystanders away from the plane of the rotating accessory and run the power tool at maximum no-load speed for one minute.** Damaged accessories will normally break apart during this test time.
- ▶ **Wear personal protective equipment. Depending on application, use face shield, safety goggles or safety glasses. As appropriate, wear dust mask, hearing protectors, gloves and workshop apron capable of stopping small abrasive or workpiece fragments.** The eye protection must be capable of stopping flying debris generated by various operations. The dust mask or respirator must be capable of filtering particles generated by your operation. Prolonged exposure to high intensity noise may cause hearing loss.
- ▶ **Keep bystanders a safe distance away from work area. Anyone entering the work area must wear personal protective equipment.** Fragments of workpiece or of a broken accessory may fly away and cause injury beyond immediate area of operation.



- ▶ **Hold the power tool by insulated gripping surfaces only, when performing an operation where the cutting tool may contact hidden wiring.** Contact with a "live" wire will also make exposed metal parts of the power tool "live" and could give the operator an electric shock.
- ▶ **Position the cord clear of the spinning accessory.** If you lose control, the cord may be cut or snagged and your hand or arm may be pulled into the spinning accessory.
- ▶ **Never lay the power tool down until the accessory has come to a complete stop.** The spinning accessory may grab the surface and pull the power tool out of your control.
- ▶ **Do not run the power tool while carrying it at your side.** Accidental contact with the spinning accessory could snag your clothing, pulling the accessory into your body.
- ▶ **Regularly clean the power tool's air vents.** The motor's fan will draw the dust inside the housing and excessive accumulation of powdered metal may cause electrical hazards.
- ▶ **Do not operate the power tool near flammable materials.** Sparks could ignite these materials.
- ▶ **Do not use accessories that require liquid coolants.** Using water or other liquid coolants may result in electrocution or shock.

### Kickback and related warnings

Kickback is a sudden reaction to a pinched or snagged rotating wheel, backing pad, brush or any other accessory. Pinching or snagging causes rapid stalling of the rotating accessory which in turn causes the uncontrolled power tool to be forced in the direction opposite of the accessory's rotation at the point of the binding.

For example, if an abrasive wheel is snagged or pinched by the workpiece, the edge of the wheel that is entering into the pinch point can dig into the surface of the material causing the wheel to climb out or kick out. The wheel may either jump toward or away from the operator, depending on direction of the wheel's movement at the point of pinching. Abrasive wheels may also break under these conditions.

Kickback is the result of power tool misuse and/or incorrect operating procedures or conditions and can be avoided by taking proper precautions as given below.

- ▶ **Maintain a firm grip on the power tool and position your body and arm to allow you to resist kickback forces. Always use auxiliary handle, if provided, for maximum control over kickback or torque reaction during start-up.** The operator can control torque reactions or kickback forces, if proper precautions are taken.
- ▶ **Never place your hand near the rotating accessory.** Accessory may kickback over your hand.
- ▶ **Do not position your body in the area where power tool will move if kickback occurs.** Kickback will propel the tool in direction opposite to the wheel's movement at the point of snagging.
- ▶ **Use special care when working corners, sharp edges etc. Avoid bouncing and snagging the accessory.** Corners, sharp edges or bouncing have a tendency to snag the rotating accessory and cause loss of control or kickback.
- ▶ **Do not attach a saw chain woodcarving blade or toothed saw blade.** Such blades create frequent kickback and loss of control.

### Safety warnings specific for grinding and abrasive cutting-off operations:

- ▶ **Use only wheel types that are recommended for your power tool and the specific guard designed for the selected wheel.** Wheels for which the power tool was not designed cannot be adequately guarded and are unsafe.
- ▶ **The grinding surface of centre depressed wheels must be mounted below the plane of the guard lip.** An improperly mounted wheel that projects through the plane of the guard lip cannot be adequately protected.
- ▶ **The guard must be securely attached to the power tool and positioned for maximum safety, so the least amount of wheel is exposed towards the operator.** The guard helps to protect the operator from broken wheel fragments, accidental contact with wheel and sparks that could ignite clothing.
- ▶ **Wheels must be used only for recommended applications. For example: do not grind with the side of cut-off wheel.** Abrasive cut-off wheels are intended for peripheral grinding, side forces applied to these wheels may cause them to shatter.
- ▶ **Always use undamaged wheel flanges that are of correct size and shape for your selected wheel.** Proper wheel flanges support the wheel thus reducing the possibility of wheel breakage. Flanges for cut-off wheels may be different from grinding wheel flanges.
- ▶ **Do not use worn down wheels from larger power tools.** Wheel intended for larger power tool is not suitable for the higher speed of a smaller tool and may burst.

### Additional safety warnings specific for abrasive cutting-off operations:

- ▶ **Do not "jam" the cut-off wheel or apply excessive pressure. Do not attempt to make an excessive depth of cut.** Overstressing the wheel increases the loading and susceptibility to twisting or binding of the wheel in the cut and the possibility of kickback or wheel breakage.



- ▶ **Do not position your body in line with and behind the rotating wheel.** When the wheel, at the point of operation, is moving away from your body, the possible kickback may propel the spinning wheel and the power tool directly at you.
- ▶ **When wheel is binding or when interrupting a cut for any reason, switch off the power tool and hold the power tool motionless until the wheel comes to a complete stop. Never attempt to remove the cut-off wheel from the cut while the wheel is in motion otherwise kickback may occur.** Investigate and take corrective action to eliminate the cause of wheel binding.
- ▶ **Do not restart the cutting operation in the workpiece. Let the wheel reach full speed and carefully re-enter the cut.** The wheel may bind, walk up or kickback if the power tool is restarted in the workpiece.
- ▶ **Support panels or any oversized workpiece to minimize the risk of wheel pinching and kickback.** Large workpieces tend to sag under their own weight. Supports must be placed under the workpiece near the line of cut and near the edge of the workpiece on both sides of the wheel.
- ▶ **Use extra caution when making a "pocket cut" into existing walls or other blind areas.** The protruding wheel may cut gas or water pipes, electrical wiring or objects that can cause kickback.

#### **Safety warnings specific for sanding operations:**

- ▶ **Do not use excessively oversized sanding disc paper. Follow manufacturers recommendations, when selecting sanding paper.** Larger sanding paper extending beyond the sanding pad presents a laceration hazard and may cause snagging, tearing of the disc or kickback.

#### **Safety warnings specific for wire brushing operations:**

- ▶ **Be aware that wire bristles are thrown by the brush even during ordinary operation. Do not overstress the wires by applying excessive load to the brush.** The wire bristles can easily penetrate light clothing and/or skin.
- ▶ **If the use of a guard is recommended for wire brushing, do not allow any interference of the wire wheel or brush with the guard.** Wire wheel or brush may expand in diameter due to work load and centrifugal forces.

### **2.1.3 Additional safety instructions**

#### **Personal safety**

- ▶ Only use the product if it is in perfect working order.
- ▶ Never tamper with or modify the tool in any way.
- ▶ Avoid touching rotating parts – risk of injury!
- ▶ Wear protective gloves also when changing the accessory tool. Touching the accessory tool presents a risk of injury (cuts or burns).
- ▶ Before starting work, check the hazard class of the dust that will be produced when working. Use an industrial vacuum cleaner with an officially approved protection class in compliance with the locally applicable dust protection regulations. Dust from materials such as lead-based paint, certain types of wood and concrete/masonry/stone containing quartz, minerals or metal may be harmful to health.
- ▶ Make sure that the workplace is well ventilated and, where necessary, wear a respirator appropriate for the type of dust generated. Contact with or inhalation of the dust may cause allergic reactions and/or respiratory or other diseases among operators or bystanders. Certain kinds of dust are classified as carcinogenic such as oak and beech dust, especially in conjunction with additives for wood conditioning (chromate, wood preservative). Material containing asbestos may be handled only by specialists.
- ▶ Take breaks between working and do physical exercises to improve the blood circulation in your fingers. Exposure to vibration during long periods of work can lead to disorders of the blood vessels and nervous system in the fingers, hands and wrists.

#### **Electrical safety**

- ▶ Before beginning work, check the working area for concealed electric cables or gas and water pipes. External metal parts of the power tool may give you an electric shock if you damage an electric cable accidentally.

#### **Using and handling power tools with care**

- ▶ Do not use cutting discs for grinding.
- ▶ Tighten the accessory tool and flange securely. If the accessory tool and flange are not tightened securely, the accessory tool may work loose from the spindle due to the braking effect of the motor after switching off.
- ▶ Comply with the manufacturer's instructions for handling and storing grinding discs.

### **2.1.4 Battery use and care**

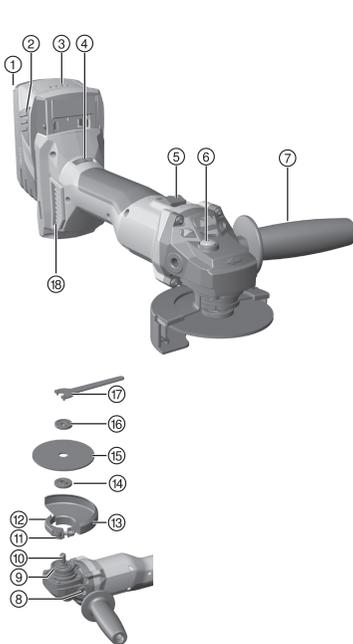
- ▶ Observe the special regulations and instructions applicable to the transport, storage and use of Li-ion batteries.



- ▶ Do not expose batteries to high temperatures, direct sunlight or fire.
- ▶ Do not disassemble, crush or incinerate batteries and do not subject them to temperatures over 80 °C.
- ▶ Do not use or charge batteries that have suffered mechanical impact, have been dropped from a height or show signs of damage. In this case, always contact your **Hilti Service**.
- ▶ If the battery is too hot to touch it may be defective. In this case, place the product in a non-flammable location, well away from flammable materials, where it can be kept under observation and allowed to cool down. In this case, always contact your **Hilti Service**.

### 3 Description

#### 3.1 Overview of the product



- ① Battery
- ② Battery release button
- ③ Charge state indicator
- ④ Speed regulation
- ⑤ On/off switch
- ⑥ Spindle lock button
- ⑦ Side handle
- ⑧ Threaded bushing for the side handle
- ⑨ Keyed locating lug
- ⑩ Spindle
- ⑪ Adjusting screw
- ⑫ Clamping lever
- ⑬ Standard guard
- ⑭ Clamping flange
- ⑮ Abrasive cutting disc / abrasive grinding disc
- ⑯ Clamping nut
- ⑰ Pin wrench
- ⑱ Dust filter

#### 3.2 Intended use

The product described is a hand-held cordless angle grinder. It is designed for cutting and grinding metal and mineral materials, brushing and sandpapering, all without the use of water. It can be used only for dry grinding / cutting.

- The power tool may be used for cutting, slitting and grinding mineral materials only when equipped with the corresponding guard (optional accessory).
- A dust removal hood together with a suitable **Hilti** vacuum cleaner must be used for working on mineral materials such as concrete or stone.
- ▶ Use only **Hilti** Li-ion batteries of the B 22 series with this product.
- ▶ Use only **Hilti** battery chargers of the C4/36 series for charging these batteries.

#### 3.3 Items supplied

Angle grinder, side handle, standard guard, front cover, clamping flange, clamping nut, pin wrench, dust filter, operating instructions.

Other system products approved for use with this product can be found at your local **Hilti Store** or online at: [www.hilti.group](http://www.hilti.group).



2223269

English

7

### 3.4 ATC

The power tool is equipped with the ATC (Active Torque Control) quick-acting electronic cut-out. If the accessory tool sticks or stalls, the power tool will suddenly pivot about its own axis in the opposite direction. ATC detects this sudden pivoting movement of the power tool and switches the tool off immediately.

For ATC to function correctly, the power tool must be free to pivot.  
After an ATC cut-out, switch the power tool off and then on again.

### 3.5 Temperature-dependent motor protection

The temperature-dependent motor protection system monitors current input and motor temperature and thus prevents the power tool overheating.

If the motor is overloaded through application of excessive working pressure, the power tool's performance drops noticeably or it may stall completely.

If the power tool stalls or slows significantly due to overloading, release the pressure applied to the tool and then allow it to run under no load for approx. 30 seconds.

### 3.6 Guard with front cover

When grinding with straight grinding discs and cutting with cutting discs in metalworking applications, use the standard guard with front cover.

### 3.7 DG-EX 100/4" dust hood for grinding (accessory)

The grinding system is suitable only for occasional use with diamond cup wheels for grinding mineral materials.

Use of this guard for working on metal is not permissible.

### 3.8 Li-ion battery charge status display

The charge status of the Li-ion battery is displayed after one of the two battery release buttons is pressed.

Status	Meaning
4 LEDs light.	Charge status: 75 % to 100 %
3 LEDs light.	Charge status: 50 % to 75 %
2 LEDs light.	Charge status: 25 % to 50 %
1 LED lights up.	Charge status: 10 % to 25 %
1 LED flashes.	Charge status: < 10 %

Indication of the charge status is not possible while the power tool is in operation or immediately after operation. If the battery charge status LEDs flash, please refer to the information given in the Troubleshooting section.

## 4 Consumables

Use only synthetic-resin-bonded, fiber-reinforced grinding discs with a maximum Ø of 100 mm and synthetic resin-bonded, fiber-reinforced cutting discs with a maximum Ø of 104.9 mm which are approved for use at a rotational speed of at least 11500 rpm and a peripheral speed of 80 m/s.

The maximum permissible grinding disc thickness is 6.4 mm and the maximum cutting disc thickness is 2.5 mm.

**ATTENTION! When cutting or slitting with abrasive cutting discs always use the standard guard with the additional front cover, or a fully enclosing dust hood.**

#### Discs

Type	Application	Designation	Material
Abrasive cutting disc	Cutting, slitting	AC-D	Metal
Diamond cutting disc	Cutting, slitting	DC-TP, DC-D (SPX, SP, P)	Mineral
Abrasive grinding disc	Rough grinding	AG-D, AF-D, AN-D	Metal



Type	Application	Designation	Material
Diamond grinding disc	Rough grinding	DG-CW (SPX, SP, P)	Mineral
Wire brushes	Wire brushes	3CS, 4CS, 3SS, 4SS	Metal
Abrasive resin-fiber disc	Rough grinding	AP-D	Metal

#### Suitability of discs for the equipment used

Item	Equipment	AC-D	AG-D, AF-D, AN-D	DG-CW (SPX, SP, P)	DC-TP, DC-D (SPX, SP, P)	AP-D	3CS, 4CS, 3SS, 4SS, DD-M14
A	Guard	X	X	X	X	X	X
B	Front cover (in combination with A)	X	—	—	X	—	—
C	Dust hood (grinding) DG-EX 100/4"	—	—	X	—	—	—
D	Side handle	X	X	X	X	X	X
E	Clamping nut	X	X	X	X	—	—
F	Clamping flange	X	X	X	X	—	—
G	Clamping nut for abrasive resin-fiber disc	—	—	—	—	X	—
H	Support plate	—	—	—	—	X	—

## 5 Technical data

<b>Spindle length</b>	16 mm
<b>Ambient temperature for operation</b>	-17 °C ... 60 °C
<b>Storage temperature</b>	-20 °C ... 70 °C

### 5.1 Technical data

	AG 4S-A22-100
<b>Rated voltage</b>	21.6 V
<b>Rated speed</b>	8,500 /min
<b>Maximum disc diameter</b>	104.9 mm
<b>Weight in accordance with EPTA procedure 01</b>	3.0 kg
<b>Drive spindle thread</b>	M10
<b>Spindle length</b>	16 mm
<b>Ambient temperature for operation</b>	-17 °C ... 60 °C
<b>Storage temperature</b>	-20 °C ... 70 °C

### 5.2 Battery

<b>Battery operating voltage</b>	21.6 V
<b>Ambient temperature for operation</b>	-17 °C ... 60 °C
<b>Storage temperature</b>	-20 °C ... 40 °C
<b>Battery charging starting temperature</b>	-10 °C ... 45 °C



2223269

### 5.3 Noise information and vibration values in accordance with EN 60745

The sound pressure and vibration values given in these instructions have been measured in accordance with a standardized test and may be used to compare one power tool with another. They may be used for a preliminary assessment of exposure.

The data given represents the main applications of the power tool. However, if the power tool is used for different applications, with different accessory tools or is poorly maintained, the data may vary. This may significantly increase exposure over the total working period.

An accurate estimation of exposure should also take into account the times when the power tool is switched off, or when it is running but not actually being used for a job. This may significantly reduce exposure over the total working period.

Identify additional safety measures to protect the operator from the effects of noise and/or vibration, for example: Maintaining the power tool and accessory tools, keeping the hands warm, organization of work patterns.

#### AG 4S-A22-100

##### Noise information

Emission sound pressure level ( $L_{pA}$ )	81.5 dB(A)
Uncertainty for the sound pressure level ( $K_{pA}$ )	3 dB(A)
Sound power level ( $L_{WA}$ )	92.5 dB(A)
Uncertainty for the sound power level ( $K_{WA}$ )	3 dB(A)

##### Vibration information

Other applications, such as cutting, may produce vibration values that deviate from the given values.

Surface grinding with the vibration-absorbing side handle ( $a_{h,AG}$ )	1.1 m/s <sup>2</sup>
Sanding with sandpaper with the vibration-absorbing side handle ( $a_{h,DS}$ )	3.7 m/s <sup>2</sup>
Uncertainty (K)	1.5 m/s <sup>2</sup>

## 6 Before use

### 6.1 Charging the battery

1. Before charging the battery, read the operating instructions for the charger.
2. Make sure that the contacts on the battery and the contacts on the charger are clean and dry.
3. Use an approved charger to charge the battery.

### 6.2 Inserting the battery

#### CAUTION

##### Risk of injury by short circuit or falling battery!

- ▶ Before inserting the battery, make sure that the contacts on the battery and the contacts on the product are free of foreign matter.
  - ▶ Make sure that the battery always engages correctly.
- 
1. Charge the battery fully before using it for the first time.
  2. Push the battery into the battery holder until it engages with an audible click.
  3. Check that the battery is seated securely.

### 6.3 Removing the battery

1. Press the battery release buttons.
2. Remove the battery from the tool.

### 6.4 Fitting the side handle

- ▶ Screw the side handle into one of the threaded bushings provided.



## 6.5 Fitting or removing the guard

### CAUTION

**Risk of injury.** The accessory tool may be hot or have sharp edges.

- ▶ Wear protective gloves when fitting, removing or adjusting the accessory tool or other parts and when troubleshooting.
- ▶ Observe the instructions for fitting the applicable guard.

### 6.5.1 Installing standard guard

The guard is keyed to ensure that only guards of a type suitable for use with the product can be installed. The keyed locating lug also prevents the guard from coming into contact with the tool.

1. Remove the battery. → page 10
2. Open the clamping lever.
3. Fit the guard on to the arbor collar so that the keyed locating lug engages in the recess provided.
4. Turn the guard to the required position.
5. Secure the guard by closing the clamping lever.

The guard is preset to the correct clamping diameter by the adjusting screw. If tension is too low when the guard is fitted, the adjusting screw can be tightened slightly to increase the clamping force.

### 6.5.2 Adjusting standard guard

1. Remove the battery. → page 10
2. Release the clamping lever.
3. Rotate the guard to the required position.
4. Secure the guard by closing the clamping lever.

### 6.5.3 Removing standard guard

1. Release the clamping lever.
2. Rotate the guard until the keyed locating lug is aligned with the keyed locating groove and then remove the guard.

## 6.6 Fitting or removing the front cover

The front cover, when used, is clipped onto the guard.

1. Position the front cover with the closed side on the standard guard and push it on until it engages.
2. To remove it, release the catch for the front cover and then lift the front cover away from the standard guard.

## 6.7 Fitting and removing accessory tools

### WARNING

**Risk of injury.** The accessory tool may work loose due to the braking effect of the motor.

- ▶ Wait until the accessory tool has come to a standstill before touching or gripping the accessory tool or the clamping nut.
- ▶ Secure the accessory tool by tightening the clamping flange and clamping nut firmly so that no parts work loose from the spindle due to the braking effect of the motor.

### CAUTION

**Risk of injury.** The accessory tool may be hot.

- ▶ Wear protective gloves when changing the accessory tool.





Diamond discs must be replaced when their cutting or grinding performance drops significantly. This generally is the case when the segments reach a height of less than 2 mm.

Other discs must be replaced when their cutting performance drops significantly or other parts of the angle grinder (not the disc) come into contact with the material you are working on.

Abrasive discs must be replaced when their expiry date has been reached.

### 6.7.1 Fitting an accessory tool

1. Remove the battery. → page 10
2. Clean the clamping flange and the clamping nut.
3. Fit the clamping flange onto the drive spindle.
4. Fit the accessory tool.
5. Screw on the clamping nut corresponding to the type of accessory tool fitted.
6. Press the spindle lock button and hold it in this position.
7. Use the pin wrench to tighten the clamping nut securely, then release the spindle lock button and remove the wrench.

### 6.7.2 Removing the accessory tool

1. Remove the battery. → page 10

#### CAUTION

**Risk of breakage and irreparable damage.** If the spindle lockbutton is pressed while the spindle is rotating, the accessory tool can detach from the power tool.

- ▶ Press the spindle lockbutton only when the spindle has stopped rotating.
2. Press the spindle lockbutton and hold it in this position.
3. Release the clamping nut by gripping it with the wrench and turning the nut counterclockwise.
4. Release the spindle lockbutton and remove the accessory tool.

### 6.7.3 Fitting the wire brush

1. Remove the battery. → page 10
2. Fit the side handle. → page 10
3. Install the standard guard.
4. Place the wire brush in position and tighten it hand-tight.
5. Press and hold down the spindle lock button.
6. Tighten the wire brush with a suitable open-end wrench.
7. Then release the spindle lock button and remove the open-end wrench.

### 6.7.4 Fitting the abrasive resin-fiber disc

1. Remove the battery. → page 10
2. Fit the side handle. → page 10
3. Install the standard guard.
4. Fit the support plate and the abrasive resin-fiber disc, screw on the clamping nut and tighten it securely.
5. Press the spindle lock button and hold it in this position.
6. Use the pin wrench to tighten the clamping nut.
7. Release the spindle lock button and remove the pin wrench.

## 7 Operation

### 7.1 Switching on

1. Press the rear section of the on/off switch.
2. Slide the on/off switch forward.
  - ↳ The motor runs.
3. Lock the on/off switch.



## 7.2 Grinding

### CAUTION

**Risk of injury.** The accessory tool may suddenly stick or stall.

- ▶ Use the power tool with the side handle fitted and always hold it securely with both hands.

## 7.3 Cutting

- ▶ When cutting, apply moderate feed pressure and do not tilt the power tool or the cutting disc (when working, hold at approx. 90° to the surface being cut).



For best results when cutting profiles and square tube, start cutting at the smallest cross section.

## 7.4 Rough grinding

### CAUTION

**Risk of injury.** The abrasive cutting disc could shatter and flying fragments may cause injury.

- ▶ Never use abrasive cutting discs for grinding.
- ▶ Move the power tool to and fro while maintaining a 5° to 30° angle of attack and applying moderate pressure.
  - ↳ This will avoid overheating and discoloration of the workpiece and help ensure an even surface finish.

## 7.5 Switching off

- ▶ Press the rear section of the on/off switch.
  - ↳ The on/off switch jumps into the off position and the motor stops.

## 8 Care and maintenance

### WARNING

**Risk of injury with battery inserted !**

- ▶ Always remove the battery before carrying out care and maintenance tasks!

### Care and maintenance of the tool

- Carefully remove any dirt that may be adhering to parts.
- Remove the dust filter and clean it and the air vents carefully, using a dry brush.
- Use only a slightly damp cloth to clean the casing. Do not use cleaning agents containing silicone as these can attack the plastic parts.

### Care of the lithium-ion batteries

- Keep the battery free from oil and grease.
- Use only a slightly damp cloth to clean the casing. Do not use cleaning agents containing silicone as these may attack the plastic parts.
- Avoid ingress of moisture.

### Maintenance

- Check all visible parts and controls for signs of damage at regular intervals and make sure that they all function correctly.
- Do not operate the product if signs of damage are found or if parts malfunction. Have it repaired immediately by **Hilti** Service.
- After cleaning and maintenance, fit all guards or protective devices and check that they function correctly.



To help ensure safe and reliable operation, use only genuine Hilti spare parts and consumables. Spare parts, consumables and accessories approved by Hilti for use with the product can be found at your local **Hilti Store** or online at: **www.hilti.group**.



2223269

## 9 Transport and storage of cordless tools

### Transport

#### CAUTION

#### Accidental starting during transport !

- ▶ Always transport your products with the batteries removed!
- ▶ Remove the battery.
- ▶ Never transport batteries in bulk form (loose, unprotected).
- ▶ Check the tool and batteries for damage before use after long periods of transport.

### Storage

#### CAUTION

#### Accidental damage caused by defective or leaking batteries !

- ▶ Always store your products with the batteries removed!
- ▶ Store the tool and batteries in a place that is as cool and dry as possible.
- ▶ Never store batteries in direct sunlight, on heating units or behind a window pane.
- ▶ Store the tool and batteries in a place where they cannot be accessed by children or unauthorized persons.
- ▶ Check the tool and batteries for damage before use after long periods of storage.

## 10 Troubleshooting

If the trouble you are experiencing is not listed in this table or you are unable to remedy the problem by yourself, please contact **Hilti Service**.

### 10.1 Troubleshooting

Trouble or fault	Possible cause	Action to be taken
The battery runs down more quickly than usual.	Very low ambient temperature.	▶ Allow the battery to warm up slowly to room temperature.
The battery doesn't engage with an audible click.	The retaining lugs on the battery are dirty.	▶ Clean the retaining lugs and refit the battery.
1 LED flashes. The device does not work.	Low battery.	▶ Change the battery and charge the empty battery.
	The battery is too hot or too cold.	▶ Allow the battery to cool down or warm up slowly to room temperature.
All 4 LEDs flash. The device does not work.	The tool has been overloaded.	▶ Release the control switch and then press it again. Then allow the power tool to run under no load for approx. 30 seconds.
The angle grinder or battery gets very hot.	Electrical fault	▶ Switch the power tool off immediately, remove the battery, keep it under observation, allow it to cool down and contact <b>Hilti Service</b> .
The tool does not achieve full power.	A battery with inadequate capacity was used.	▶ Use a battery with adequate capacity.
The motor has no braking effect.	Low battery.	▶ Change the battery and charge the empty battery.
	The power tool was overloaded briefly.	▶ Switch the power tool off and then on again.

## 11 RoHS (Restriction of Hazardous Substances)

Click on the link to go to the table of hazardous substances: [qr.hilti.com/r9884540](http://qr.hilti.com/r9884540).

There is a link to the RoHS table, in the form of a QR code, at the end of this document.



## 12 Disposal

---

 Most of the materials from which **Hilti** tools and appliances are manufactured can be recycled. The materials must be correctly separated before they can be recycled. In many countries, your old tools, machines or appliances can be returned to **Hilti** for recycling. Ask **Hilti** Service or your Hilti representative for further information.

### Battery disposal

Improper disposal of batteries can result in health hazards from leaking gases or fluids.

- ▶ DO NOT send batteries through the mail!
- ▶ Cover the terminals with a non-conductive material (such as electrical tape) to prevent short circuiting.
- ▶ Dispose of your battery out of the reach of children.
- ▶ Dispose of the battery at your **Hilti Store**, or consult your local governmental garbage disposal or public health and safety resources for disposal instructions.



- 
- ▶ Do not dispose of power tools, electronic equipment or batteries as household waste!
- 

## 13 Manufacturer's warranty

---

- ▶ Please contact your local **Hilti** representative if you have questions about the warranty conditions.



# 1 文書について

## 1.1 本書について

- ご使用前に本書をすべてお読みください。このことは、安全な作業と問題のない取扱いのための前提条件となります。
- 本書および製品に記載されている安全上の注意と警告表示に注意してください。
- 取扱説明書は常に製品とともに保管し、他の人が使用する場合には、製品と取扱説明書を一緒にお渡しください。

## 1.2 記号の説明

### 1.2.1 警告表示

警告表示は製品の取扱いにおける危険について警告するものです。以下の注意喚起語が使用されています：



**危険**

危険！

▶ この表記は、重傷あるいは死亡事故につながる危険性がある場合に注意を促すために使われます。



**警告**

警告！

▶ この表記は、重傷あるいは死亡事故につながる可能性がある場合に注意を促すために使われます。



**注意**

注意！

▶ この表記は、軽傷あるいは物財の損傷が発生する可能性がある場合に使われます。

### 1.2.2 本書の記号

本書では、以下の記号が使用されています：

	使用前に取扱説明書をお読みください
	本製品を効率良く取り扱うための注意事項や役に立つ情報
	リサイクル可能な部品の取扱い
	工具およびバッテリーを一般ゴミとして廃棄してはなりません

### 1.2.3 図中の記号

図中では以下の記号が使用されています：

	この数字は本取扱説明書冒頭にある該当図を示しています
	付番は図中の作業手順の順序に対応していて、本文の作業手順とは一致しない場合があります
	概要図には項目番号が付されていて、製品概要セクションの凡例の番号に対応しています
	この記号は、製品の取扱いの際に特に注意が必要なことを示しています。

## 1.3 製品により異なる記号

### 1.3.1 製品に表示されている記号

製品には以下の記号が使用されています：

	アイシールドを着用してください
n	定格回転数



/min	毎分回転数
RPM	毎分回転数
∅	直径
==	直流
	本製品は、iOS および Android プラットフォームと互換性のある無線データ転送をサポートしています。
Li-Ion	Li-Ionen バッテリー
	使用されているHILTI Li-Ion バッテリーのモデルシリーズ。正しい使用の章の記載に注意してください。
	バッテリーは決して打撃工具として使用しないでください。
	バッテリーは落下させないでください。ぶつけたり、あるいはその他の理由で損傷しているバッテリーは使用しないでください。

#### 1.4 製品情報

製品はプロ仕様で製作されており、その使用、保守、修理を行うのは、認定を受けトレーニングされた人のみに限ります。これらの人は、遭遇し得る危険に関する情報を入手していなければなりません。製品およびアクセサリの使用法を知らない者による誤使用、あるいは規定外の使用は危険です。機種名および製造番号は銘板に表示されています。

- ▶ 製造番号を以下の表に書き写しておいてください。ヒルティ代理店やサービスセンターへお問い合わせの際には、製品データが必要になります。

##### 製品データ

アングルグラインダー	AG 4S-A22
製品世代	01
製造番号:	

#### 1.5 適合宣言

当社は、単独の責任において本書で説明している製品が有効な基準と標準規格に適合していることを宣言します。適合宣言書の複写は本書の末尾にあります。

技術資料は本書の後続の頁に記載されています：

Hilti Entwicklungsgesellschaft mbH | Zulassung Geräte | Hiltistraße 6 | 86916 Kaufering, DE

## 2 安全

### 2.1 安全上の注意

#### 2.1.1 電動工具の一般安全注意事項

**⚠ 警告事項** 本電動工具に付属のすべての安全上の注意、指示事項、図、および製品仕様をお読みください。以下の指示を守らないと、感電、火災および / または重傷事故の危険があります。

安全上の注意および指示事項が書かれた説明書はすべて大切に保管してください。

安全上の注意で使用する用語「電動工具」とは、お手持ちの電動ツール（電源コード使用）またはバッテリーツール（コードレス）を指します。

##### 作業環境に関する安全

- ▶ 作業場はきれいに保ち、十分に明るくしてください。ちらかった暗い場所での作業は事故の原因となります。
- ▶ 爆発の危険性のある環境（可燃性液体、ガスおよび粉じんのある場所）では電動工具を使用しないでください。電動工具から火花が飛散し、粉じんや揮発性ガスに引火する恐れがあります。
- ▶ 電動工具の使用時、子供や無関係者を作業場へ近づけないでください。作業中に気がそらされると、本体のコントロールを失ってしまう恐れがあります。



2223269

日本語

17

## 電気に関する安全注意事項

- ▶ 電動工具の接続プラグは電源コンセントにきちんと適合しなければなりません。プラグは絶対に変更しないでください。保護接地した電動工具と一緒にアダプタープラグを使用しないでください。オリジナルのプラグと適切なコンセントを使用することにより、感電の危険を小さくすることができます。
- ▶ パイプ、ラジエーター、電子レンジ、冷蔵庫などのアースされた面に体の一部が触れないようにしてください。体が触れると感電の危険が大きくなります。
- ▶ 電動工具を雨や湿気から保護してください。電動工具に水が浸入すると、感電の危険が大きくなります。
- ▶ 電動工具を持ち運んだり、吊り下げたり、コンセントからプラグを抜いたりするときは、必ず本体を持ち、電源コードを持ったり引っ張ったりしないでください。電源コードを火気、オイル、鋭利な刃物、可動部等に触れる場所に置かないでください。電源コードが損傷したり絡まったりしていると、感電の危険が大きくなります。
- ▶ 屋外工事の場合には、必ず屋外専用の延長コードを使用してください。屋外専用の延長コードを使用すると、感電の危険が小さくなります。
- ▶ 湿った場所で電動工具を起動させる必要がある場合は、漏電遮断器を使用してください。漏電遮断器を使用すると、感電の危険が小さくなります。

## 作業者に関する安全

- ▶ 電動工具を使用の際には、油断せずに十分注意し、常識をもった作業をおこなってください。疲れている場合、薬物、医薬品服用およびアルコール飲用による影響下にある場合には電動工具を使用しないでください。電動工具使用中の一瞬の不注意が重傷の原因となることがあります。
- ▶ 個人用保護具および保護メガネを常に着用してください。負傷の危険を低減するために、電動工具の使用状況に応じた粉じんマスク、耐滑性の安全靴、ヘルメット、耳栓などの個人用保護具を着用してください。
- ▶ 電動工具の意図しない始動を防止して下さい。電動工具を電源および / またはバッテリーに接続する前や本体を持ち上げたり運んだりする前に、本体がオフになっていることを必ず確認してください。オン / オフスイッチが入っている状態で電動工具のスイッチに指を掛けたまま運んだり、電源に接続したりすると、事故の原因となる恐れがあります。
- ▶ 電動工具のスイッチを入れる前に、必ず調節キーやレンチを取り外してください。調節キーやレンチが本体の回転部に装着されたままでは、けがの原因となる恐れがあります。
- ▶ 作業中是不安定な姿勢をとらないでください。足元を安定させ、常にバランスを保つようにしてください。これにより、万一電動工具が異常状況に陥った場合にも、適切な対応が可能となります。
- ▶ 作業に適した作業着を着用してください。だぶだぶの衣服や装身具を着用しないでください。髪、衣服、手袋を本体の可動部に近づけないでください。だぶだぶの衣服、装身具、長い髪が可動部に巻き込まれる恐れがあります。
- ▶ 吸じんシステムの接続が可能な場合には、これらのシステムが適切に接続、使用されていることを確認してください。吸じんシステムを利用することにより、粉じん公害を防げます。
- ▶ 電動工具の取扱いに熟練している場合にも、正しい安全対策を遵守し、電動工具に関する安全規則を無視しないでください。不注意な取扱いは、ほんの一瞬で重傷事故を招くことがあります。

## 電動工具の使用および取扱い

- ▶ 無理のある使用を避けてください。作業用途に適した電動工具を使用してください。適切な電動工具の使用により、効率よく、スムーズかつ安全な作業が行えます。
- ▶ スイッチが故障している場合には、電動工具を使用しないでください。スイッチで始動および停止操作のできない電動工具は危険ですので、修理が必要です。
- ▶ 本体の設定やアクセサリーの交換を行う前や本体を保管する前には電源プラグをコンセントから抜き、および / または脱着式のバッテリーを取り外してください。この安全処置により、電動工具の意図しない始動を防止することができます。
- ▶ 電動工具をご使用にならない場合には、子供の手の届かない場所に保管してください。電動工具に関する知識のない方、本説明書をお読みでない方による本体のご使用は避けてください。未経験者による電動工具の使用は危険です。
- ▶ 電動工具とアクセサリーは慎重に手入れしてください。可動部分が引っ掛かりなく正常に作動しているか、電動工具の運転に影響を及ぼす各部分が破損・損傷していないかを確認してください。電動工具をご使用になる前に、損傷部分の修理を依頼してください。事故の多くは保守管理の不十分な電動工具の使用が原因となっています。
- ▶ 先端工具は鋭利で汚れのない状態を保ってください。お手入れのゆきとどいた先端工具を使用すると、作業が簡単かつ、スムーズになります。
- ▶ 電動工具、アクセサリー、先端工具などは、それらの説明書に記載されている指示に従って使用してください。その際は、作業環境および用途についてもご注意ください。指定された用途以外に電動工具を使用すると危険な状況をまねく恐れがあります。
- ▶ グリップとグリップ面は乾燥した清潔な状態に保ち、オイルやグリスの付着がないようにしてください。グリップやグリップ面が滑りやすい状態になっていると、予期していない状況が発生した際に電動工具を安全に使用 / 制御できません。



## バッテリー工具の使用および取扱い

- ▶ バッテリーを充電する場合は、必ずメーカー推奨の充電器を使用してください。特定タイプのバッテリー専用の充電器を他のバッテリーに使用すると、火災の恐れがあります。
- ▶ 電動工具には、必ず指定されたバッテリーを使用してください。指定以外のバッテリーを使用すると、負傷や火災の恐れがあります。
- ▶ 使用されていないバッテリーの近くに、事務用クリップ、硬貨、キー、釘、ネジ、その他の小さな金属物を置かないでください。電気接点の短絡が起こることがあります。バッテリーの電気接点間が短絡すると、火傷や火災が発生する危険があります。
- ▶ 正しく使用しないと、液漏れが発生することがあります。その場合、漏れた液には触れないでください。もしも触れてしまった場合は、水で洗い流してください。バッテリー液が眼に入った場合は、水で洗い流してから医師の診察を受けてください。流出したバッテリー液により、皮膚が刺激を受けたり火傷を負う恐れがあります。
- ▶ 損傷したあるいは変更が加えられたバッテリーは使用しないでください。損傷したあるいは変更が加えられたバッテリーは、予測不可能な挙動により爆発あるいは負傷事故を発生させる危険があります。
- ▶ バッテリーは火気あるいは高温に曝さないでください。火気あるいは 130 °C (265 °F) を超える高温は、爆発の原因となります。
- ▶ 充電に関するすべての指示事項に従い、バッテリーあるいはバッテリー工具は、決して取扱説明書に記載された温度範囲外で充電しないでください。正しくない充電あるいは許容温度範囲外での充電により、バッテリーが破壊され火災が発生する危険があります。

## サービス

- ▶ 電動工具の修理は必ず認定サービスセンターにお申し付けください。また、必ず純正部品を使用してください。これにより電動工具の安全性が確実に維持されます。
- ▶ 損傷したバッテリーは決して手入れや保守を行わないでください。バッテリーの保守作業はすべて、メーカーあるいは権限のあるお客様サービスセンターが行うものとします。

### 2.1.2 研磨、紙やすり研磨、ワイアブラシを使用した作業、つや出しおよび切断研磨に共通する安全上の注意：

- ▶ この電動工具は、グラインダー、紙やすりグラインダー、ワイアブラシおよびフリクションソーとして使用することができます。本体に関するすべての安全上の注意、注意事項、図、データに注意してください。以下の注意事項を守らないと、感電、火災および / または重傷事故の発生する危険があります。
- ▶ この電動工具はつや出しには適しません。電動工具を所定の用途以外に使用すると危険な状況をまねき、負傷の原因となることがあります。
- ▶ この電動工具用としてメーカーから指定および推奨されていないアクセサリは使用しないでください。そのようなアクセサリはお使いの電動工具に単に固定できるだけで、安全な使用は保証されません。
- ▶ 先端工具の許容回転数は、電動工具に記載された最高回転数よりも高くなければなりません。許容回転数よりも速く回転するアクセサリは、破損あるいは外れて飛び回る恐れがあります。
- ▶ 先端工具の外径と厚さは電動工具の仕様に対応するものでなければなりません。間違ったサイズの前端工具は十分に保護または制御できません。
- ▶ ネジ式インサート付きの先端工具は、研磨スピンドルのネジに厳密に適合したものでなければなりません。フランジにより取り付ける先端工具の場合は、先端工具の穴の直径がフランジの取付け部直径に適合している必要があります。電動工具に確実に固定されていない先端工具は、回転が不安定になり、非常に激しい振動を起こして制御不能に陥る恐れがあります。
- ▶ 損傷した先端工具は使用しないでください。先端工具を使用する前に毎回、研磨ディスクに欠損や亀裂がないか、バックパッドに亀裂、摩耗、激しい損耗がないか、ワイアブラシに緩みや折れたワイアがないかをチェックしてください。電動工具または先端工具を落とした場合は、損傷がないかを点検し、損傷のない先端工具を使用してください。先端工具の点検および取り付け後は、作業員やその他の人員が先端工具の回転エリアに入らないようにして、本体を最高回転数で1分間作動させてください。先端工具に損傷がある場合は、たいていこのテスト時間内に先端工具が折れます。
- ▶ 個人保護用具を着用してください。使用状況に応じて、フルフェースガード、アイシールドあるいは保護メガネを着用してください。有効な場合は、防じんマスク、耳栓、保護手袋、作業材料の細かな剥離片や破片から身体を保護する特殊エプロンを着用してください。さまざまな使用状況において異物の飛散が生じます。飛散する異物から目を保護してください。防じんマスクは、作業時に発生する粉じんを捕集するものでなくてはなりません。長時間大きな騒音にさらされていると、聴覚に悪影響が出る恐れがあります。
- ▶ 作業員以外の人は作業場から安全な距離だけ遠ざけてください。関係者は全員、作業場で個人保護用具を着用しなければなりません。作業材料や折れた先端工具の破片が飛散して、作業場外の人も負傷する危険があります。



- ▶ 作業の実施に伴い先端工具が隠れている電線に接触する可能性がある場合は、必ず絶縁されたグリップ面を電動工具を保持するようにしてください。通電しているケーブルと接触すると、本体の金属部分にも電圧がかかり、感電の危険があります。
- ▶ 回転する先端工具から電源コードを遠ざけてください。本体が制御不能になった場合、電源コードが切断されたり巻き込まれたりして、回転する先端工具で手や腕を負傷する危険があります。
- ▶ 必ず電動工具が完全に停止してから電動工具を置いてください。電動工具を置いたときに先端工具が回転していると、電動工具が制御不能に陥る恐れがあります。
- ▶ 電動工具を身体の脇に保持している間は本体を動作させないでください。回転する先端工具に衣服が接触すると、衣服が巻き込まれて先端工具が身体に食い込む危険があります。
- ▶ 電動工具の通気溝は定期的に清掃してください。モーターブローアが埃をハウジング内に引き込んで金属粉じんが大量に堆積すると、電気的な危険が発生する恐れがあります。
- ▶ 可燃物の近くで電動工具を使用しないでください。可燃物に火花が飛んで燃える可能性があります。
- ▶ 冷却液が必要な先端工具は使用しないでください。水やその他の冷却液を使用すると、感電が発生する可能性があります。

### 反動とそれに対する安全上の注意

反動は、研磨ディスク、パッキングパッド、ワイアブラシなどの回転している先端工具が噛んだりブロックされたりしたことに起因する突発的な反応です。先端工具が噛んだりブロックされたりすると、回転している先端工具が突然停止します。これにより電動工具は、ブロックが生じた位置において制御されることなく先端工具の回転方向と反対の方向に加速されます。

例えば、研磨ディスクが作業材料の中で噛んだりブロックされたりすると、作業材料に入り込んだ研磨ディスクの縁部が引っかかって破損したり、反動が起きることがあります。その際は、ブロックされた箇所でのディスクの回転方向により、研磨ディスクが作業者の方向やその逆方向に動きます。この場合研磨ディスクが折損することもあります。

電動工具の取り扱いが正しくないと、反動が生じます。反動は、以下に示すような適切な予防措置を取ることで防止することができます。

- ▶ 電動工具はしっかりと支え、反動を受け止めることができるように身体と腕を構えます。高速動作時の反力や反発モーメントを最大制限できるような、常に補助グリップ（装備されている場合）を使用してください。作業者は適切な安全処置を施すことにより反動を防止することができます。
- ▶ 手を回転する先端工具から遠ざけてください。反動で先端工具が手に向かって動く可能性があります。
- ▶ 反動が生じた際に電動工具が動く領域から身体を遠ざけてください。電動工具は、ブロックされた箇所において反動により研磨ディスクの動きと反対方向に動きます。
- ▶ 特に角部や鋭い縁部などの領域では慎重に作業してください。先端工具が作業材料から跳ね返ったり、噛んだりしないようにしてください。回転中の先端工具は、角部や鋭い縁部で、あるいはバウンドしたときに噛みやすくなります。その場合、電動工具が制御不能に陥ったり反動が生じたりします。
- ▶ チェーンソーまたは歯付きソーブレードを使用しないでください。この種の先端工具を使用すると、頻繁に反動が生じたり電動工具が制御不能になったりします。

### 研磨および切断研磨に特定の安全上の注意：

- ▶ お使いの電動工具に許可された研磨ツールと、その研磨ツール専用の保護カバーのみを使用してください。お使いの電動工具用ではない研磨ツールは、絶縁が十分でないことがあり安全ではありません。
- ▶ フック状の研磨ディスクは、研磨面が保護カバー端部の高さより突出しないように取り付ける必要があります。誤まって保護カバー端部の高さより突出して取り付けられた研磨ディスクは十分に保護できません。
- ▶ 保護カバーは確実に電動工具に取り付けられていて、最大限の安全性を確保するために、グラインダー本体の最も小さい部品を作業者が確認できるように調整されていなければなりません。保護カバーは、作業者を破片、誤ってグラインダー本体と接触すること、あるいは衣服に着火する可能性のある火花から保護します。
- ▶ 研磨ツールは必ず推奨された用途でのみ使用してください。例：カッティングディスクのサイド面で研磨しないでください。カッティングディスクはディスクの縁部で材料を切断するように規定されています。この研磨ツールへ横方向の力を加えるとツールが折れる可能性があります。
- ▶ テンションフランジは、必ずサイズと形状が選択した研磨ディスクに合った損傷していないものを使用してください。適切なフランジは研磨ディスクをしっかり支え、ディスク破損の危険を抑えます。カッティングディスク用のフランジは他の研磨ディスク用のフランジと異なることがあります。
- ▶ 大型電動工具の摩擦した研磨ディスクは使用しないでください。大型電動工具の研磨ディスクは小型電動工具の高回転数には適合せず、破損の恐れがあります。

### 切断研磨に特定のその他の安全上の注意：

- ▶ カッティングディスクがブロックされたり、押し付けが強くなりすぎないようにしてください。過度に深い切断は行わないでください。カッティングディスクに過度な負荷がかかると、応力が強くなってディスクが曲がったりブロックされやすくなるため、反動やディスク破損が生じる可能性が高くなります。



- ▶ 回転中のカッティングディスクの前後領域から身体を離してください。カッティングディスクを作業材料から離す場合、回転するディスクにより反力を受けた電動工具が直接作業者に向かって跳ね返る危険があります。
- ▶ カッティングディスクが噛んだ場合や作業を中断する場合は、本体の電源をオフにして、ディスクが完全に停止するまで本体を保持してください。まだ回転しているカッティングディスクを切断箇所から取り出そうとしないでください。反動が生じる原因となります。ディスクが噛む場合は、その原因を突き止めて適切な処置を施してください。
- ▶ 電動工具が作業材料内にある間は電動工具のスイッチを再びオンにしないでください。カッティングディスクが最高回転数に達してから、切断を慎重に再開してください。この手順を守らないと、ディスクが引っかけたとして作業材料から飛び出たり、反動が生じることがあります。
- ▶ 噛んだカッティングディスクによる反動の危険を最小限に抑えるために、プレートや大型の作業材料にはサポートを施してください。大型の作業材料はそれ自身の重みでたわむことがあります。作業材料はディスクの両側、つまり切断箇所付近と縁部で支える必要があります。
- ▶ 既存の壁やその他の見通しのきかない領域で「ブランジカット」を行う場合は特に注意してください。押し込んだカッティングディスクはガス管、水道管、電気配線、その他の対象物に食い込んで反動を引き起こすことがあります。

#### 紙やすり研磨に特定の安全上の注意：

- ▶ サイズを超過した研磨紙を使用しないでください。研磨紙サイズに関するメーカー指示に従ってください。バックングパッドからはみ出た研磨紙は、怪我の原因となったり、動作停止、研磨紙の破れ、または反動を引き起こすことがあります。

#### ワイヤブラシを使用した作業に特定の安全上の注意：

- ▶ ワイヤブラシは通常の使用においてもワイヤ部分が擦り減ることに注意してください。強く押し過ぎてワイヤに過度な負荷をかけないでください。飛散するワイヤ片は薄手の衣服を突き抜けて皮膚まで達することがあります。
- ▶ 保護カバーの使用が推奨される場合には、保護カバーとワイヤブラシが接触しないように注意してください。ディスク型およびポット型ブラシの場合、押し付け力と遠心力でその直径が拡大することがあります。

### 2.1.3 その他の安全上の注意

#### 作業者に関する安全

- ▶ 本製品は、必ず技術的に問題のない状態で使用してください。
- ▶ 本体は決して加工や改造を加えないでください。
- ▶ 回転部品に触れないでください - 負傷の危険！
- ▶ 保護手袋は先端工具の交換時にも着用してください。先端工具に触れると、切創事故や火傷の原因となることがあります。
- ▶ 作業開始前に、作業場で発生する粉じんの危険有害度を調査してください。公的に承認された保護等級および地域の粉じんに関する規定を満たした工業用集じん機を使用してください。含鉛塗料、特定の種類の木材、コンクリート / 石材、石英を含む岩石、鉱物および金属などの母材から生じた粉じんは、健康を害する恐れがあります。
- ▶ 作業場の良好な換気は注意し、必要に応じてそれぞれの粉じんに適した防じんマスクを着用してください。作業者や近くにいる人が粉じんに触れたり吸い込んだりすると、アレルギー反応や呼吸器疾患を起こす可能性があります。カシヤブナ材などの特定の粉じんは、特に木材処理用の添加剤（クロム塩酸、木材保護剤）が使用されている場合、発ガン性があるとされています。アスベストが含まれる母材は、必ず専門家が取り扱うようにしてください。
- ▶ 休憩を取って、指を動かして血行を良くするように心がけてください。長時間作業の際には、振動により指、手あるいは手首の関節の血管あるいは神経系に障害が発生する可能性があります。

#### 電気に関する安全注意事項

- ▶ 作業を開始する前に、作業領域に埋設された電線、ガス管や水道管がないかを調査してください。誤って電線を損傷すると、本体外側の金属部分により感電事故が発生する可能性があります。

#### 電動工具の慎重な取扱いおよび使用

- ▶ 切断研磨ディスクを粗削り研磨に使用しないでください。
- ▶ 先端工具とフランジをしっかりと締め付けてください。先端工具またはフランジがしっかりと締め付けられていないと、スイッチオフの後、制動の際に先端工具が本体モーターによりスピンドルから外れる危険があります。
- ▶ 研磨ディスクの取扱いと保管に関するメーカーの指示に注意してください。

### 2.1.4 バッテリーの慎重な取扱いおよび使用

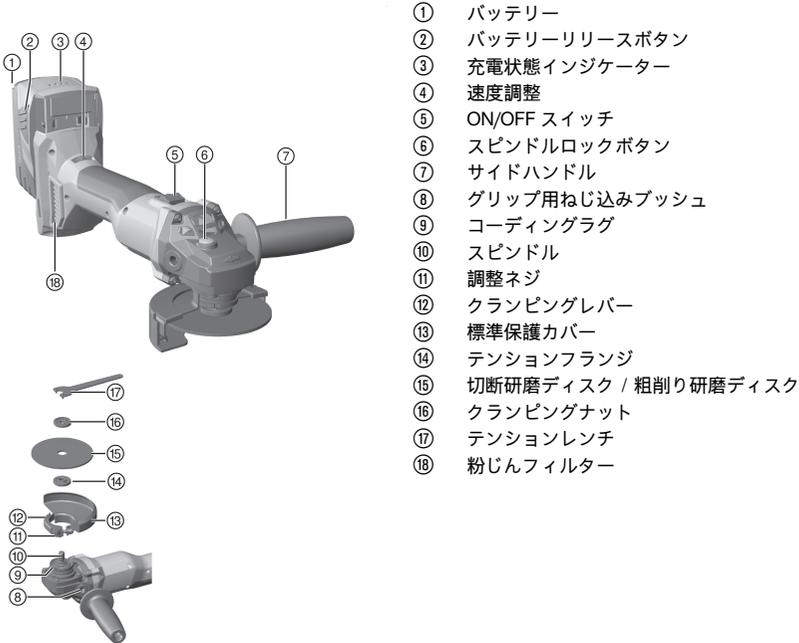
- ▶ Li-Ion バッテリーの搬送、保管、作動については特別規定を守ってください。
- ▶ バッテリーは高温、直射日光および火気を避けて保管してください。



- ▶ バッテリーを分解したり、挟んだり、80 °C 以上に加熱したり、燃やしたりしないでください。
- ▶ 衝撃を受けたことのあるバッテリー、1 m を超える高さから落下したことのあるバッテリー、あるいはその他の損傷を被っているバッテリーを使用あるいは充電しないでください。この場合には、必ず最寄りの Hilti サービスセンターにご連絡ください。
- ▶ バッテリーが挿むことのできないほどに熱くなっている場合は、故障している可能性があります。製品を監視可能な火気のない場所に可燃性の資材から十分に距離をとって置き、冷ましてください。この場合には、必ず最寄りの Hilti サービスセンターにご連絡ください。

### 3 製品の説明

#### 3.1 製品概要



- ① バッテリー
- ② バッテリーリリースボタン
- ③ 充電状態インジケーター
- ④ 速度調整
- ⑤ ON/OFF スイッチ
- ⑥ スピンドルロックボタン
- ⑦ サイドハンドル
- ⑧ グリップ用ねじ込みブッシュ
- ⑨ コーディングラグ
- ⑩ スピンドル
- ⑪ 調整ネジ
- ⑫ クランピングレバー
- ⑬ 標準保護カバー
- ⑭ テンションフランジ
- ⑮ 切断研磨ディスク / 粗削り研磨ディスク
- ⑯ クランピングナット
- ⑰ テンションレンチ
- ⑱ 粉じんフィルター

#### 3.2 正しい使用

本書で説明している製品は、手持ち式の充電式アングルグラインダーです。この工具は、金属および鋳物母材の切断研磨と粗削り研磨、ブラッシングおよび紙やすり研磨用の乾式アングルグラインダーです。乾式の研磨 / 切断のみに使用してください。

- 鋳物母材の切断研磨、切込みおよび粗削り研磨は、必ず適切な保護カバー（オプションでお求めいただけます）を使用してください。
- コンクリートあるいは石材などの鋳物母材に対する作業には、適切な Hilti 集じん機に合わせて調整された集じんカバーを使用しなければなりません。
- ▶ 本製品には、必ず Hilti の B 22 シリーズの Li-Ion バッテリーを使用してください。
- ▶ これらのバッテリーには、必ず Hilti の C4/36 シリーズの充電器を使用してください。

#### 3.3 本体標準セット構成

アングルグラインダー、サイドハンドル、標準保護カバー、フロントカバー、テンションフランジ、クランピングナット、テンションレンチ、粉じんフィルター、取扱説明書。

その他の本製品用に許可されたシステム製品については、弊社営業担当または Hilti Store にお問い合わせいただくか、あるいは [www.hilti.group](http://www.hilti.group) でご確認ください。



### 3.4 ATC

本体は、アクティブトルクコントロールATC (Active Torque Control) を装備しています。先端工具がブロックしたりあるいは噛むと、本体は突然に作業者の操作によらずに反対方向へ回転します。ATCは本体のこの突然の回転動作を検知し、本体を直ちにオフにします。



正しく作動するためには本体が回転できる必要があります。  
シャットオフ機能が正常に作動した後は、本体をオフにして再びオンにします。

### 3.5 温度感応本体保護

温度感応モーター保護は消費電流およびモーターの加熱をモニターして、本体を加熱から保護します。接触圧が高すぎてモーターが過負荷になると、本体の出力が著しく低下するか、本体が動作を停止することがあります。過負荷により停止または回転数の低下が発生した場合は、本体を負荷から解放して約 30 秒間無負荷回転数で作動させてください。

### 3.6 フロントカバー付き保護カバー 2

金属母材の加工の際、ストレート粗削り研磨ディスクを使用しての粗削り研磨、および切断研磨ディスクを使用しての切断研磨には、フロントカバー付き標準保護カバーを使用してください。

### 3.7 DG-EX 100/4" 研磨用ダストカバー (アクセサリ) 3

研磨システムは、ダイヤモンドカップホイールを使用しての鋳物母材のあまり頻繁ではない研磨にのみ適しています。このカバーによる金属の加工は禁止されています。

### 3.8 Li-Ion バッテリーの充電状態インジケーター

Li-Ion バッテリーの充電状態は、2つのバッテリーリリースボタンのいずれかを押すと表示されます。

状態	意味
4 個の LED が点灯。	充電状態：75 %...100 %
3 個の LED が点灯。	充電状態：50 %...75 %
2 個の LED が点灯。	充電状態：25 %...50 %
1 個の LED が点灯。	充電状態：10 %...25 %
1 個の LED が点滅。	充電状態：< 10 %



作業中および作業直後は、充電状態の読み取りは行えません。バッテリーの充電状態インジケーターの LED が点滅している場合は、「故障時のヒント」の章の注意事項を確認してください。

## 4 消耗品

使用できるのは、11500 min-1 以上の回転数と 80 m/s のカット速度に対応した最大 Ø 100 mm 用の繊維強化合成樹脂粗削り研磨ディスク、および最大 Ø 104.9 mm 用の繊維強化合成樹脂切断研磨ディスクのみです。最大粗削り研磨ディスク厚さは 6.4 mm、最大切断研磨ディスク厚さは 2.5 mm です。

**注意！** 切断研磨ディスクによる切断および切込みの際には、必ずフロントカバーを追加した標準保護カバー、あるいは完全に閉じたダストカバーを使用してください。

ディスク

タイプ	用途	略号	母材
アブレーション切断研磨ディスク	切断研磨、切込み	AC-D	金属
ダイヤモンド切断研磨ディスク	切断研磨、切込み	DC-TP, DC-D (SPX, SP, P)	鋳物
アブレーション粗削り研磨ディスク	粗削り研磨	AG-D, AF-D, AN-D	金属
ダイヤモンド粗削り研磨ディスク	粗削り研磨	DG-CW (SPX, SP, P)	鋳物



タイプ	用途	略号	母材
ワイアブラシ	ワイアブラシ	3CS, 4CS, 3SS, 4SS	金属
ファイバーディスク	粗削り研磨	AP-D	金属

#### ディスクと装備の組合せ

項目	装備	AC-D	AG-D、 AF-D、 AN-D	DG-CW (SPX、 SP、P)	DC-TP、 DC-D (SPX、 SP、P)	AP-D	3CS、 4CS、 3SS、 4SS、 DD-M14
A	保護カバー	X	X	X	X	X	X
B	フロントカバー (Aとの組合せ)	X	—	—	X	—	—
C	DG-EX 1004" 研磨用ダストカバー	—	—	X	—	—	—
D	サイドハンドル	X	X	X	X	X	X
E	クランピングナット	X	X	X	X	—	—
F	テンションフランジ	X	X	X	X	—	—
G	ファイバーディスク用クランピングナット	—	—	—	—	X	—
H	サポートパッド	—	—	—	—	X	—

## 5 製品仕様

スピンドルの長さ	16 mm
作動時の周囲温度	-17 °C ... 60 °C
保管温度	-20 °C ... 70 °C

### 5.1 製品仕様

	AG 4S-A22-100
定格電圧	21.6 V
定格回転数	8,500/min
最大ディスク直径	104.9 mm
重量 (EPTA プロシージャ 01 に準拠)	3.0 kg
駆動スピンドルネジ	M10
スピンドルの長さ	16 mm
作動時の周囲温度	-17 °C ... 60 °C
保管温度	-20 °C ... 70 °C

### 5.2 バッテリー

バッテリー作動電圧	21.6 V
作動時の周囲温度	-17 °C ... 60 °C
保管温度	-20 °C ... 40 °C
充電開始時のバッテリー温度	-10 °C ... 45 °C

### 5.3 騒音および振動値について (EN 60745 準拠)

本説明書に記載されているサウンドプレッシャー値および振動値は、規格に準拠した測定方法に基づいて測定したものです。電動工具を比較するのにご使用いただけます。曝露値の暫定的な予測にも適しています。



記載されているデータは、電動工具の主要な使用方法に対する値です。電動工具を他の用途で使用したり、異なる先端工具を取り付けて使用したり、手入れや保守が十分でないまま使用した場合には、データが異なることがあります。このような相違により、作業時間全体で曝露値が著しく高くなる可能性があります。曝露値を正確に予測するためには、本体のスイッチをオフにしている時間や、本体が作動していても実際には使用していない時間も考慮しなければなりません。このような相違により、作業時間全体で曝露値が著しく低くなる可能性があります。

作業者を騒音および / または振動による作用から保護するために、他にも安全対策を立ててください（例：電動工具および先端工具の手入れや保守、手を冷やさないようにする、作業手順の編成）。

## AG 4S-A22-100

### 騒音について

排出サウンドプレッシャーレベル ( $L_{pA}$ )	81.5 dB(A)
サウンドプレッシャーレベルの不確実性 ( $K_{pA}$ )	3 dB(A)
サウンドパワーレベル ( $L_{WA}$ )	92.5 dB(A)
サウンドパワーレベルの不確実性 ( $K_{WA}$ )	3 dB(A)

### 振動について

切断などの他の用途に使用した場合には、振動値がここに記載した値から変化する可能性があります。

振動低減ハンドルを使用しての表面研磨 ( $a_{h,AG}$ )	1.1 m/s <sup>2</sup>
振動低減ハンドルを使用しての紙やすり研磨 ( $a_{h,DS}$ )	3.7 m/s <sup>2</sup>
不確実性 (K)	1.5 m/s <sup>2</sup>

## 6 ご使用前に

### 6.1 バッテリーを充電する

1. 充電の前に充電器の取扱説明書をお読みください。
2. バッテリーと充電器の電気接点は汚れがなく、乾燥していることを確認してください。
3. バッテリーは許可された充電器で充電してください。

### 6.2 バッテリーを装着する

#### 注意

**負傷の危険 短絡あるいはバッテリーの落下！**

- ▶ バッテリーを装着する前に、バッテリーの電気接点と製品の電気接点に異物がないことを確認してください。
- ▶ バッテリーが正しくロックされていることを常に確認してください。

1. はじめてお使いになる前にはバッテリーをフル充電してください。
2. ロックの音が聞こえるまでバッテリーを本体ホルダーに装着します。
3. バッテリーがしっかりと装着されていることを確認してください。

### 6.3 バッテリーを取り外す

1. バッテリーのリリースボタンを押します。
2. 本体からバッテリーを抜き取ります。

### 6.4 サイドハンドルを取り付ける

- ▶ サイドハンドルをいずれかのねじ込みブッシュにねじ込みます。

### 6.5 先保護カバーを取り付ける / 取り外す

#### 注意

**負傷の危険。** 先端工具は熱くなっていたり、エッジが鋭くなっている場合があります。

- ▶ 取付け、取外し、調整作業および不具合の除去の際には保護手袋を着用してください。
- ▶ 当該の保護カバーの取付け説明書に従ってください。



### 6.5.1 標準保護カバーを取り付ける

保護カバーのコーディングにより、製品に対応した適切な保護カバーしか取り付けることができないようになっています。加えてコーディングラグは、保護カバーが先端工具に落下するのを防止します。

1. バッテリーを取り外します。→ 頁 25
2. クランピングレバーを開きます。
3. コーディングラグをコーディング溝に噛み合わせて、保護カバーを本体ヘッドのスピンドルカラーに取り付けます。
4. 保護カバーを必要とされる位置に回します。
5. 保護カバーを確実に固定するためにクランピングレバーを閉じます。

保護カバーはすでに調整ネジにより正しいクランプ直径に調整されています。保護カバーを取り付けた状態で固定力が小さすぎる場合には、調整ネジを少し締めることにより固定力を強くすることができます。

### 6.5.2 標準保護カバーを調整する

1. バッテリーを取り外します。→ 頁 25
2. クランピングレバーを開きます。
3. 保護カバーを必要とされる位置に回します。
4. 保護カバーを確実に固定するためにクランピングレバーを閉じます。

### 6.5.3 標準保護カバーを取り外す

1. クランピングレバーを開きます。
2. コーディングラグがコーディング溝と一致するまで保護カバーを回し、取り外します。

## 6.6 フロントカバーを取り付ける / 取り外す

フロントカバーを取り付けて作業する場合は、フロントカバーは保護カバーに差し込んでください。

1. フロントカバーの閉じた側を標準保護カバーにロックするまで取り付けてください。
2. フロントカバーを取り外すには、フロントカバーのロックを開いて標準保護カバーからフロントカバーを取り外します。

## 6.7 先端工具を取り付ける / 取り外す

### 警告

負傷の危険。 本体モーターの制動時に先端工具が外れることがあります。

- ▶ 先端工具あるいはクランピングナットを掴むのは、先端工具が停止するまでお待ちください。
- ▶ 先端工具とテンションフランジはクランピングナットを使用して締め付け、本体モーターの制動時にスピンドルから外れる部品がないようにしてください。

### 注意

負傷の危険。 先端工具は熱くなることがあります。

- ▶ 先端工具を交換する際には保護手袋を着用してください。

切断性能または研磨性能が明らかに低下したなら、ダイヤモンドディスクは直ちに交換する必要があります。一般的に、ダイヤモンドセグメントの高さが 2 mm 未満になったらダイヤモンドディスクを交換する必要があります。

その他のタイプのディスクは、切断性能が明らかに低下した場合、あるいは作業中にアングルグラインダーの部品（ディスクを除く）が作業対象と接触した場合には直ちに交換する必要があります。

アブレイシブディスクは有効期限が切れたなら交換する必要があります。

### 6.7.1 先端工具を取り付ける

1. バッテリーを取り外します。→ 頁 25
2. テンションフランジとクランピングナットを清掃してください。
3. テンションフランジをスピンドルに取り付けます。



4. 先端工具を取り付けます。
5. クランピングナットを装着した先端工具に合わせてしっかり締め付けます。
6. スピンドルロックボタンを押して、その状態を保ちます。
7. テンションレンチでクランピングナットを締め付け、続いてスピンドルロックボタンから指を放してテンションレンチを取り外します。

#### 6.7.2 先端工具を取り外す

1. バッテリーを取り外します。→ 頁 25

##### 注意

破損および故障の危険。スピンドルが回転しているときにスピンドルロックボタンを押すと、先端工具が外れることがあります。

- ▶ スピンドルロックボタンは必ずスピンドルが停止している状態で押してください。

2. スピンドルロックボタンを押して、その状態を保ちます。
3. テンションレンチを取り付けて、反時計方向に回してクランピングナットを緩めます。
4. スピンドルロックボタンから指を放して先端工具を取り外します。

#### 6.7.3 ワイアブラシを取り付ける

1. バッテリーを取り外します。→ 頁 25
2. サイドハンドルを取り付けます。→ 頁 25
3. 標準保護カバーを取り付けます。
4. ワイアブラシを取り付けて、手で締め付けます。
5. スピンドルロックボタンを押して、その状態を保ちます。
6. 適切なオープンエンドレンチを使用してワイアブラシを締め付けます。
7. 続いてスピンドルロックボタンから指を放してオープンエンドレンチを取り外します。

#### 6.7.4 ファイバーディスクを取り付ける

1. バッテリーを取り外します。→ 頁 25
2. サイドハンドルを取り付けます。→ 頁 25
3. 標準保護カバーを取り付けます。
4. サポートパッドとファイバーディスクを取り付けて、クランピングナットを締め付けます。
5. スピンドルロックボタンを押して、その状態を保ちます。
6. テンションレンチでクランピングナットを締め付けます。
7. 続いてスピンドルロックボタンから指を放してテンションレンチを取り外します。

## 7 ご使用方法

### 7.1 スイッチオン

1. ON/OFF スイッチの後部を押します。
2. ON/OFF スイッチを前方にスライドさせます。
  - ↳ モーターが作動します。
3. ON/OFF スイッチをロックします。

### 7.2 研磨

##### 注意

負傷の危険。先端工具は、突然停止したりひっかかることがあります。

- ▶ 本体はサイドハンドルを付けて使用し、常に両手で確実に保持してください。

### 7.3 切断研磨

- ▶ 切断研磨の場合は、適度に送りながら作業し、本体または切断研磨ディスクを傾けないようにします（作業位置は切断面に対して約 90°）。



成形材および小型の角パイプは、切断研磨ディスクの接触断面をできるだけ小さくすることによって最も効率よく切断することができます。



## 7.4 粗削り研磨

### 注意

負傷の危険。切断研磨ディスクが破損して飛散した破片により負傷することがあります。

▶ 切断研磨ディスクは決して粗削り研磨に使用しないでください。

- ▶ 本体を5°...30°のアプローチ角で、適度な圧力をかけながら前後に動かします。
  - ↳ 作業材料は熱くなりすぎたり変色することがなく、凹凸なく仕上げることがができます。

## 7.5 スイッチオフ

- ▶ ON/OFF スイッチの後部を押します。
  - ↳ ON/OFF スイッチはオフ位置になりモーターが停止します。

## 8 手入れと保守

### 警告

バッテリーを装着した状態における負傷の危険！

▶ 手入れや保守作業の前に必ずバッテリーを取り外してください！

#### 本体の手入れ

- 強固に付着した汚れは慎重に除去してください。
- 粉じんフィルターを取り外し、フィルターと通気溝を乾いたブラシを使用して慎重に掃除してください。
- ハウジングは必ず軽く湿らせた布で清掃してください。シリコンを含んだ清掃用具はプラスチック部品をいためる可能性があるので使用しないでください。

#### Li-Ion バッテリーの手入れ

- バッテリーは清潔に保ち、オイルやグリスで汚さないようにしてください。
- ハウジングは必ず軽く湿らせた布で清掃してください。シリコンを含んだ清掃用具はプラスチック部品をいためる可能性があるので使用しないでください。
- 湿気が入り込まないようにしてください。

#### 保守

- 目視確認可能なすべての部品について損傷の有無を、操作エレメントについては問題なく機能することを定期的に点検してください。
- 損傷および/または機能に問題のある場合は、本製品を使用しないでください。直ちにHilti サービスセンターに修理を依頼してください。
- 手入れおよび保守作業の後は、すべての安全機構を取り付けて機能を点検してください。

安全な作動のために、必ず純正のスペアパーツと消耗品を使用してください。本製品向けに弊社が承認したスペアパーツ、消耗品およびアクセサリは、弊社営業担当またはHilti Store お問い合わせいただくか、あるいは[www.hilti.group](http://www.hilti.group)でご確認ください。

## 9 バッテリー装置の搬送および保管

### 搬送

#### 注意

搬送時の予期しない始動！

- ▶ お使いの製品は、必ずバッテリーを装着していない状態で搬送してください！
- ▶ バッテリーを取り外します。
- ▶ バッテリーは決して梱包しない状態で搬送しないでください。
- ▶ 本体とバッテリーを長距離にわたって搬送した後は、使用前に損傷がないかチェックしてください。

#### 保管上の注意事項

#### 注意

故障したあるいは液漏れしたバッテリーによる予期しない損傷！

▶ お使いの製品は、必ずバッテリーを装着していない状態で保管してください！

- ▶ 本体とバッテリーは、できるだけ涼しくて乾燥した場所に保管してください。



- ▶ バッテリーを太陽の直射下、ラジエーターの上、窓際等で保管しないでください。
- ▶ 本体とバッテリーは、子供や権限のない人が手を触れることのないようにして保管してください。
- ▶ 本体とバッテリーを長期間にわたって保管した後は、使用前に損傷がないかチェックしてください。

## 10 故障時のヒント

この表に記載されていない、あるいはご自身で解消することのできない故障が発生した場合には、弊社営業担当またはHilti サービスセンターにご連絡ください。

### 10.1 故障かな？と思った時

故障	考えられる原因	解決策
バッテリーの放電が通常よりも早い。	周囲温度が低すぎる。	▶ バッテリーをゆっくり室温まで暖める。
バッテリーが「カチッ」と音がするまでロックされない。	バッテリーのロックノッチが汚れている。	▶ ロックノッチを清掃してバッテリーを改めてロックする。
1個のLEDが点滅。 本体が作動しない。	バッテリーが放電している。	▶ バッテリーを交換し、空のバッテリーを充電する。
	バッテリーの温度が低すぎる、または高すぎる。	▶ バッテリーをゆっくり室温まで暖める / 冷ます。
4個の全てのLEDが点滅。 本体が作動しない。	本体の過負荷。	▶ コントロールスイッチから指を放し、改めてコントロールスイッチを操作する。続いて本体を約30秒間アイドリングさせる。
アングルグラインダーあるいはバッテリーが熱くなる。	電氣的故障	▶ 本体の電源を直ちに切ってバッテリーを取り外して観察する、バッテリーを冷ましてHilti サービスセンターに連絡する。
本体がフルパワーにならない。	容量の十分でないバッテリーが装着されている。	▶ 十分な容量のバッテリーを使用する。
モーターの制動機能なし。	バッテリーが放電している。	▶ バッテリーを交換し、空のバッテリーを充電する。
	本体に短期的に過負荷がかかっている。	▶ 本体をオフにして、再びオンにする。

## 11 RoHS (有害物質使用制限に関するガイドライン)

下記のリンクより、有害物質を記載した表を確認できます：qr.hilti.com/r9884540。  
本書の最終ページに RoHS 表にリンクした QR コードがあります。

## 12 廃棄

Hilti 製品の大部分の部品はリサイクル可能です。リサイクル前にそれぞれの部品は分別して回収されなければなりません。多くの国でHiltiは、古い電動工具をリサイクルのために回収しています。詳細については弊社営業担当またはHilti 代理店・販売店にお尋ねください。

### バッテリーを廃棄する

バッテリーを誤った方法で廃棄すると、漏出するガスあるいはバッテリー液により健康を損なう危険があります。

- ▶ 損傷したバッテリーを送付しないでください！
- ▶ 短絡を防止するために接続部を非導電性のもので覆ってください。
- ▶ バッテリーは子供が手を触れることのないように廃棄してください。
- ▶ バッテリーの廃棄は、最寄りのHilti Store あるいは適切な廃棄物処理業者に依頼してください。



- ▶ 電動工具、電子機器およびバッテリーを一般ゴミとして廃棄してはなりません！



- ▶ 保証条件に関するご質問は、最寄りのHilti 代理店・販売店までお問い合わせください。



# 1 문서 관련 기재사항

## 1.1 본 문서에 대해

- 처음 사용하기 전에 본 문서 전체를 읽으십시오. 안전하게 작업하고 문제 없이 취급하기 위한 전제가 됩니다.
- 본 문서 및 제품에 나와 있는 안전 지침 및 경고 지침에 유의하십시오.
- 항상 제품에 있는 사용 설명서를 잘 보관하고 제품은 반드시 본 지침과 함께 다른 사람에게 전달하십시오.

## 1.2 기호 설명

### 1.2.1 경고사항

본 제품을 다루면서 발생할 수 있는 위험에 대한 경고사항. 다음과 같은 시그널 워드가 사용됩니다.



**위험**

위험!

- ▶ 이 기호는 직접적인 위험을 표시합니다. 만약 지키지 않으면 심각한 부상을 당하거나 사망할 수도 있습니다.



**경고**

경고!

- ▶ 이 기호는 잠재적인 위험을 표시합니다. 만약 지키지 않으면 심각한 부상을 당하거나 사망할 수도 있습니다.



**주의**

주의!

- ▶ 이 기호는 특별히 중요한 안전상의 주의사항을 표시합니다. 만약 지키지 않으면, 심각한 부상 또는 물적 손실을 입을 수 있습니다.

### 1.2.2 문서에 사용된 기호

본 문서에서 사용되는 기호는 다음과 같습니다.

	사용하기 전에 사용설명서를 읽으십시오.
	적용 지침 및 기타 유용한 사용정보
	재사용이 가능한 자재 취급방법
	전기 기기 및 배터리를 일반 가정의 쓰레기처럼 폐기해서는 안 됨

### 1.2.3 그림에 사용된 기호

다음과 같은 기호가 그림에 사용됩니다.

<b>2</b>	이 숫자는 본 설명서의 첫 부분에 있는 해당 그림을 나타냅니다.
3	매겨진 숫자는 작업 단계의 순서를 나타내며, 텍스트에 매겨진 작업 단계와 차이가 있을 수 있습니다.
⑪	항목 번호는 개요 그림에서 사용되며, 제품 개요 단락에 나와 있는 기호 설명 번호를 나타냅니다.
	이 표시는 제품을 다룰 때, 특별히 주의할 사항을 나타냅니다.

## 1.3 제품 관련 기호

### 1.3.1 제품에 사용된 기호

다음과 같은 기호가 제품에 사용됨

	보안경 착용
--	--------



2223269

n	정격 회전 속도
/min	분당 회전수
RPM	분당 회전수
Ø	직경
==	직류
	본 제품은 무선 데이터 전송을 지원하며, iOS 및 Android 플랫폼과 호환 가능합니다.
Li-Ion	리튬이온 배터리
	사용한 Hilti 리튬이온 배터리 모델 시리즈. 규정에 맞는 사용 단원에 제시된 내용에 유의하십시오.
	배터리는 절대 타격 공구로 사용해서는 안 됩니다.
	배터리를 떨어뜨리지 마십시오. 타격을 받은 적이 있거나 다른 손상이 있는 배터리는 사용하지 마십시오.

#### 1.4 제품 정보

**HILTI** 제품은 전문가용으로 설계되어 있으며, 해당 교육을 이수한 공인된 작업자를 통해서만 조작, 유지 보수 및 수리 작업을 진행할 수 있습니다. 이 기술자는 발생할 수 있는 위험에 대해 특별 교육을 받은 상태여야 합니다. 교육을 받지 않은 사람이 제품을 부적절하게 취급하거나 규정에 맞지 않게 사용할 경우에는 기기와 그 보조기구에 의해 부상을 당할 위험이 있습니다.

형식 명칭 및 일련 번호는 형식 라벨에 제시되어 있습니다.

- ▶ 일련 번호를 다음의 표에 옮기십시오. 대리점 또는 서비스 센터에 문의할 경우 제품 제원이 필요합니다.

##### 제품 제원

앵글 그라인더	AG 4S-A22
세대	01
일련 번호	

#### 1.5 적합성 선언

폐사는 전적으로 책임을 지고 여기에 기술된 제품이 통용되는 기준과 규격에 일치함을 공표합니다. 적합성 증명서 사본은 본 문서 끝 부분에서 확인할 수 있습니다.

기술 문서는 이곳에 기술되어 있습니다.

Hilti Entwicklungsgesellschaft mbH | Zulassung Geräte | Hiltistraße 6 | 86916 Kaufering, DE

## 2 안전

### 2.1 안전상의 주의사항

#### 2.1.1 전동 공구에 대한 일반적인 안전상의 주의사항

**⚠ 경고** 해당 전동 공구와 함께 동봉된 모든 안전상의 주의 사항, 지침, 그림 및 기술자료를 숙지하십시오. 다음과 같은 지침 내용을 준수하지 않으면 전기 충격, 화재가 발생하거나 그리고/또는 중상을 입을 수 있습니다. 앞으로 모든 안전상의 주의사항과 지침을 보관하십시오.

안전상의 주의사항에서 사용되는 "전동 공구"라는 개념은 전원에 연결하여 사용하는 전동 공구(전원 케이블 있음) 또는 배터리를 사용하는 전동 공구(전원 케이블 없음)를 의미합니다.

##### 작업장 안전수칙

- ▶ 작업장을 항상 깨끗이 하고 조명이 잘 들도록 하십시오. 어수선한 작업환경 또는 어두운 작업장은 사고를 초래할 수 있습니다.
- ▶ 인화성 액체, 가스 또는 먼지가 있어 폭발 위험이 있는 환경에서는 전동 공구를 사용하지 마십시오. 전동 공구는 먼지나 증기를 점화시킬 수 있는 스파크를 일으킵니다.



- ▶ 전동 공구를 사용할 때, 어린이들이나 다른 사람들이 작업장에 접근하지 못하도록 하십시오. 다른 사람의 방해로 인해 기기를 통제하기 어렵습니다.

#### 전기에 관한 안전수칙

- ▶ 전동 공구의 전원 플러그가 소켓에 잘 끼워져야 합니다. 플러그를 절대 변형시켜서는 안됩니다. 접지된 전동 공구와 함께 아답타 플러그를 사용하지 마십시오. 변형되지 않은 플러그와 적합한 소켓을 사용하면 감전의 위험을 줄일 수 있습니다.
- ▶ 파이프, 히터, 전기레인지, 냉장고와 같은 접지 표면에 신체 접촉을 피하십시오. 신체에 닿을 경우 감전될 위험이 높습니다.
- ▶ 전동 공구가 비에 맞지 않도록 하고 습한 장소에 두지 마십시오. 전동 공구에 물이 들어가면 감전될 위험이 높습니다.
- ▶ 전원 케이블만 잡고 전동 공구를 운반하거나 걸어 놓아서는 안되며, 소켓에서 전원 플러그를 빼낼 때 케이블만 잡은 채로 빼내지 마십시오. 전원 케이블이 열, 오일, 날카로운 모서리 또는 부품의 가동 부위에 접촉하지 않도록 주의하십시오. 손상되거나 서로 꼬인 전원 케이블은 감전 위험을 높입니다.
- ▶ 실외에서 전동 공구를 이용하여 작업할 때, 실외용으로 승인된 연장 케이블만 사용하십시오. 실외용 연장 케이블을 사용하면 감전의 위험을 줄여줍니다.
- ▶ 전동 공구를 습한 환경에서 사용하는 것을 피할 수 없을 경우, 누전 차단기를 사용하십시오. 누전 차단기를 사용하면 감전 위험을 줄일 수 있습니다.

#### 사용자 안전수칙

- ▶ 신중하게 작업하십시오. 작업에 정신을 집중하고 전동 공구를 사용할 때 경솔하게 행동하지 마십시오. 피곤하거나 항정신성 약물, 술 또는 약을 복용시에는 전동 공구를 사용하지 마십시오. 전동 공구 사용 시 이에 유의하지 않을 경우 심각한 부상을 초래할 수 있습니다.
- ▶ 안전 장비를 갖추고 보안경을 착용하십시오. 전동 공구의 종류와 사용에 따라, 먼지 보호 마스크, 미끄럼 방지용 안전 신발, 안전모 또는 귀마개 등과 같은 안전한 보호장비를 착용하면 부상의 위험을 줄일 수 있습니다.
- ▶ 실수로 기기가 작동하지 않도록 주의하십시오. 전동 공구를 전원 그리고/또는 배터리에 연결하기 전, 보관 또는 운반 전에 전동 공구가 스위치 OFF 상태인지 확인하십시오. 전동 공구 운반 시 스위치에 손가락을 대거나 스위치가 켜진 상태에서 전원을 연결하면 사고를 유발할 수 있습니다.
- ▶ 전동 공구의 스위치를 켜기 전, 조정공구 또는 렌치를 제거하십시오. 기기 회전부에 남아있는 공구나 렌치로 인해 부상을 입을 수 있습니다.
- ▶ 작업 시 비정상적인 자세는 피하십시오. 안전한 작업자세가 되도록 하고, 항상 균형을 유지하십시오. 이렇게 하여 예기치 않은 상황에서도 전동 공구를 잘 제어할 수 있습니다.
- ▶ 적합한 작업복을 착용하십시오. 헐렁한 복장이나 장식품을 착용하지 마십시오. 작동하는 기기 가동 부위에 머리, 옷 그리고 장갑이 가까이 닿지 않도록 주의하십시오. 헐렁한 복장, 장식품 혹은 긴 머리가 가동 부위에 말려 들어갈 수 있습니다.
- ▶ 먼지 제거장치나 수거장치를 설치할 수 있는 기기의 경우, 이 장치들이 연결되어 있는지 그리고 제대로 작동되는지를 확인하십시오. 먼지 포집장치 사용은 먼지로 인한 위험을 줄여줄 수 있습니다.
- ▶ 이 전동 공구를 여러번 사용해왔고 해서 안전하다고 안심하지 말고 전동 공구에 해당되는 안전 규칙을 무시하지 마십시오. 부주의하게 행할 경우 아주 짧은 순간에 중상을 입을 수 있습니다.

#### 전동 공구의 취급과 사용

- ▶ 기기에 과부하가 걸리지 않도록 하십시오. 귀하의 작업에 적합한 전동 공구를 사용하십시오. 적합한 전동 공구를 사용하면, 지정된 성능 한도 내에서 더 효율적으로 안전하게 작업할 수 있습니다.
- ▶ 스위치가 고장난 전동 공구는 사용하지 마십시오. 스위치가 작동되지 않는 전동 공구는 위험하므로, 반드시 수리를 해야 합니다.
- ▶ 기기 세팅을 실행, 액세서리를 교환 또는 기기를 보관하기 전에 컨택터를 전원소켓에서 그리고/또는 탈착식 배터리를 기기에서 빼놓으십시오. 이러한 조치는 실수로 전동 공구가 작동하지 않도록 방지합니다.
- ▶ 사용하지 않는 전동 공구는 어린이들의 손이 닿지 않는 곳에 보관하십시오. 기기 사용에 익숙치 않거나 또는 이 안전수칙을 읽지 않은 사람이 기기를 사용해서는 안 됩니다. 비숙련자가 전동 공구를 사용하면 위험합니다.
- ▶ 전동 공구 및 액세서리를 유의해서 관리하십시오. 기기의 가동 부위가 완벽하게 작동하는지, 끼어 있지 않은지, 혹은 부품이 손상되거나 파손되어 있어 전동 공구의 기능을 저하시키지 않는지 점검하십시오. 기기 사용 전 손상된 부품을 수리하도록 하십시오. 제대로 관리되지 않은 전동 공구는 많은 사고를 유발합니다.
- ▶ 절단기기는 날카롭고 깨끗하게 관리하십시오. 날카로운 절단면이 있고 잘 관리된 절단기기는 끼이는 경우가 드물고 조절하기도 쉽습니다.
- ▶ 본 지침에 따라 전동 공구, 액세서리, 공구 비트 등을 사용하십시오. 이 때 작업 조건과 실시하려는 작업 내용을 고려하십시오. 원래 사용 분야가 아닌 다른 작업에 전동 공구를 사용할 경우, 위험한 상황을 초래할 수 있습니다.
- ▶ 손잡이 및 손잡이 표면은 건조하고 깨끗하게, 그리고 오일과 그리스가 묻어있지 않도록 해야 합니다. 미끄러운 손잡이 및 손잡이 표면은 예상치 못한 상황에서 전동 공구를 안전하게 조작하고 제어할 수 없습니다.



## 배터리 공구의 취급과 사용

- ▶ 제조회사가 권장한 충전기에만 배터리를 충전시키십시오. 특정한 형식의 배터리를 사용하도록 규정되어 있는 충전기에 다른 배터리를 사용할 경우 화재 발생의 위험이 있습니다.
- ▶ 전동 공구에 적합하게 규정된 배터리만 사용하십시오. 다른 배터리를 사용하면 부상을 입을 수 있고, 화재가 발생할 수 있습니다.
- ▶ 배터리를 사용하지 않을 경우 클립, 동전, 키, 못, 나사 또는 다른 소형 금속 물질로부터 사용하지 않는 배터리를 멀리 떨어뜨려 놓아주십시오. 배터리 간 단락으로 인한 연소 또는 화재를 초래할 수 있습니다.
- ▶ 잘못 사용할 경우, 배터리로부터 전해액이 흘러나올 수 있습니다. 전해액을 직접 만지지 마십시오. 실수로 만졌을 경우, 물로 씻으십시오. 전해액이 눈에 들어갔으면, 의사와 상담하십시오. 배터리로부터 흘러나온 전해액은 피부를 손상시킬 수 있으며, 화재를 발생시킬 수 있습니다.
- ▶ 손상된 배터리 또는 변경된 배터리를 사용하지 마십시오. 손상된 배터리 또는 변경된 배터리는 예상치 못한 상황 및 화재, 폭발 또는 부상 위험을 초래할 수 있습니다.
- ▶ 배터리에서 불꽃이 발생하거나 또는 배터리가 너무 높은 온도에 노출되지 않게 하십시오. 불꽃 또는 온도가 130 °C (265 °F)를 넘으면 폭발을 일으킬 수 있습니다.
- ▶ 충전에 관한 모든 지침을 준수하여 배터리 또는 배터리 공구를 절대 사용 설명서에 제시된 범위를 벗어난 온도에서 충전하지 마십시오. 잘못 충전하거나 허용된 범위를 벗어난 온도에서 충전하면 배터리가 파손되어 화재 발생 위험이 높아질 수 있습니다.

## 서비스

- ▶ 전동 공구는 반드시 자격을 갖춘 전문 기술자에 의해 그리고 순정 대체부품만 이용하여 수리해야 합니다. 이렇게 하여 기기의 안전성을 계속해서 유지할 수 있습니다.
- ▶ 손상된 배터리를 절대 수리하지 마십시오. 배터리 수리는 제조회사 또는 권한을 위임받은 고객 서비스센터에서만 이루어져야 합니다.

### 2.1.2 연삭, 사포 연삭, 와이어 브러시를 사용한 작업, 폴리싱 및 연삭 절단을 위한 일반 안전상의 주의사항:

- ▶ 이 전동 공구는 그라인더, 사포 그라인더, 와이어 브러시 그리고 절단 그라인더로 사용할 수 있습니다. 기기와 함께 공급되는 모든 안전상의 주의사항, 지침, 그림 및 기술자료에 유의하십시오. 다음 지침에 유의하지 않을 경우, 전기 쇼크, 화재 및 심각한 부상을 입을 수 있습니다.
- ▶ 이 전동 공구는 폴리싱에는 적합하지 않습니다. 전동 공구에 적합하지 않은 사용은 위험하며, 부상을 초래할 수 있습니다.
- ▶ 이 전동 공구에 제조회사가 특별히 규정하지 않았거나 권장하지 않은 액세서리를 사용하지 마십시오. 액세서리는 전동 공구에 고정된 가능하기 때문에 안전한 사용은 보장되지 않습니다.
- ▶ 공구 비트의 허용 회전속도는 최소한 전동 공구에 제시된 최고 회전속도를 넘어서는 안 됩니다. 허용 범위보다 빠르게 회전하는 액세서리는 파손되거나 분리될 수 있습니다.
- ▶ 공구 비트의 외경과 두께는 전동 공구의 치수 제원에 부합해야 합니다. 제원에 맞지 않는 공구 비트는 충분히 차폐, 제어할 수 없습니다.
- ▶ 나사부 있는 공구 비트는 연삭 스피들의 나사부와 정확히 일치해야 합니다. 플랜지를 이용하여 장착되는 공구 비트의 경우, 공구 비트 구멍의 지경이 플랜지의 조립 지경과 일치해야 합니다. 전동 공구에 정확하게 고정되지 않은 공구 비트는 불규칙하게 회전하고 아주 강하게 진동하므로 사용자가 조절력을 상실할 수 있습니다.
- ▶ 손상된 공구 비트를 사용하지 마십시오. 매번 사용하기 전에, 그라인딩 디스크와 같은 공구 비트를 파손 및 균열에 대해, 그라인딩 플레이트를 균열, 마모 및 심한 마모에 대해, 와이어 브러시를 풀림 또는 와이어 파손에 대해 점검하십시오. 전동 공구 또는 공구 비트를 떨어뜨린 경우, 손상되었는지 점검하고 손상되지 않은 공구 비트를 사용하십시오. 공구 비트를 점검하고 설치할 경우, 작업자와 그 주변 사람들이 회전하고 있는 공구 비트에서 떨어지도록 한 뒤 기기를 1분 동안 최고 회전속도로 작동시키십시오. 손상된 공구 비트는 대부분 테스트 시간 동안 부러집니다.
- ▶ 개인 보호장비를 착용하십시오. 기기를 사용할 때마다 완벽한 안전 보호장비 또는 보안경을 착용하십시오. 먼지 보호 마스크, 귀마개, 보호장갑 또는 특수 보호복 착용은 연삭 및 자재 미립자로부터 사용자를 보호합니다. 작업 시 발생하는 이물질이 눈에 들어가지 않도록 하십시오. 먼지를 발생시키는 작업 시 방진 마스크 또는 보호 마스크를 반드시 착용해야 합니다. 장시간 심한 소음에 노출될 경우 청각을 상실할 수 있습니다.
- ▶ 다른 사람이 작업장에서 안전한 거리를 확보하고 있는지 유의하십시오. 작업장에 있는 모든 사람은 개인 보호장비를 착용해야 합니다. 공작물의 부품 파편 또는 파손된 공구 비트가 멀리까지 날아갈 수 있으므로 직접 작업장에 있지 않아도 부상을 입을 수 있습니다.
- ▶ 숨겨진 전선에 공구 비트가 닿게 되는 작업을 실행할 경우, 항상 기기의 절연된 손잡이 부분을 잡으십시오. 전류가 흐르는 전선과 접촉하면 전동 공구의 금속 부위를 통해 감전이 될 수도 있습니다.
- ▶ 전원 케이블을 회전하는 공구 비트로부터 멀리 두십시오. 기기에 대한 조절력을 상실할 경우, 전원 케이블이 분리되거나 손이나 팔이 회전하는 공구 비트에 들어갈 수 있습니다.
- ▶ 절대 공구 비트가 완전히 정지하기 전에 전동 공구를 내려놓지 마십시오. 회전하는 공구 비트가 표면에 닿으며 전동 공구의 조절력을 상실할 수 있습니다.



- ▶ 전동 공구를 운반하는 동안 작동시키지 않도록 하십시오. 의도하지 않게 옷이 회전하는 공구 비트에 말려 들어가, 이로 인해 신체에 부상을 입을 수 있습니다.
- ▶ 전동 공구의 환기 슬롯을 정기적으로 청소하십시오. 모터 블로어가 먼지를 하우징으로 끌어당기고 금속 먼지가 많이 축적되면 전기적 위험이 발생할 수 있습니다.
- ▶ 가연성 자재 근처에서 전동 공구를 사용하지 마십시오. 스파크로 인해 가연성 물질이 연소될 수 있습니다.
- ▶ 액상 냉각제를 필요로 하는 공구 비트를 사용하지 마십시오. 물 또는 기타 액상 냉각제를 사용하면 전기 쇼크를 일으킬 수 있습니다.

#### 반동 현상과 안전상의 주의사항

반동 현상은 공구 비트(그라인딩 디스크, 그라인딩 플레이트, 와이어 브러시 등)가 회전하면서 끼이거나 막힘으로 인해 발생하는 갑작스러운 반응으로, 회전하는 공구 비트가 갑자기 멈추게 됩니다. 이로 인해 제어되지 않은 전동 공구가 공구 비트의 회전반대방향으로 가속됩니다.

예를 들어 그라인딩 디스크가 금속 제품에 끼이거나 블로킹 될 경우, 금속 제품에 그라인딩 디스크가 걸려 디스크가 손상되거나 반동을 유발합니다. 그라인딩 디스크는 블로킹 위치에서 디스크의 작동 방향에 따라 사용자가 있는 방향 또는 반대방향으로 움직이게 됩니다. 이때 그라인딩 디스크가 파손될 수 있습니다.

반동은 전동 공구의 잘못된 또는 결함이 있는 사용으로 인해 발생합니다. 반동 현상은 다음에서 설명하는 것과 같은 적절한 예방책을 통해 예방할 수 있습니다.

- ▶ 전동 공구를 확실하게 고정시키고 신체와 팔을 기기의 반동력을 억제할 수 있는 위치에 놓으십시오. 기기 작동시 반동력 또는 반동 토크에 대항하여 가능한 한 기기를 통제할 수 있도록, 보조 손잡이가 장착되어 있을 경우 항상 이를 사용하십시오. 작업자는 적절한 예방 대책으로 반동력과 반응력을 통제할 수 있어야 합니다.
- ▶ 절대로 회전하는 공구 비트에 손을 가까이 하지 마십시오. 반동 시 공구 비트가 작업자의 손 위로 될 수 있습니다.
- ▶ 반동 시 전동 공구가 작동하는 영역에 가까이 접근하지 않도록 하십시오. 반동으로 인해 전동 공구는 고정된 위치에서 그라인딩 디스크의 운동 방향과는 반대 방향으로 튀게 됩니다.
- ▶ 구석, 날카로운 모서리 등에서 작업할 때 특히 주의하십시오. 공구 비트가 공작물로부터 되튀거나 끼이지 않도록 하십시오. 회전하는 공구 비트는 구석, 날카로운 모서리에서 기울어지거나 튀어오를 경우, 끼어 움직이지 않게 되기 쉽습니다. 이와 같은 현상이 통제력 상실 또는 반동의 원인이 됩니다.
- ▶ 체인 톱날 또는 치형 톱날을 사용하지 마십시오. 이러한 공구 비트는 자주 반동을 일으키거나 또는 전동 공구에 대한 통제력을 상실하는 원인이 될 수 있습니다.

#### 연삭 및 연삭 절단에 대한 안전상의 주의사항:

- ▶ 전동 공구용으로 허용된 그라인딩 엘리먼트와 그라인딩 엘리먼트용으로 적합한 보호캡만 사용하십시오. 전동 공구용으로 규정되지 않은 그라인딩 엘리먼트는 충분히 차폐될 수 없으며 안전하지 않습니다.
- ▶ 직각으로 굽은 연삭수들은 연삭면이 보호캡의 가장자리에서 돌출되지 않도록 설치되어야 합니다. 보호캡의 가장자리에 돌출되어 부적절하게 설치된 연삭수들은 충분히 단열되지 않습니다.
- ▶ 보호캡은 가장 작은 그라인딩 엘리먼트가 사용자를 향하도록 전동 공구에 안전하게 설치되어야 합니다. 보호캡은 사용자를 파손 부품, 그라인딩 엘리먼트와의 접촉을 막고, 작업복을 붙들 수 있는 스파크로부터 보호합니다.
- ▶ 그라인딩 엘리먼트는 권장하는 용도로만 사용해야 합니다. 예: 어떠한 경우에도 커팅 디스크의 측면으로 그라인딩하지 마십시오. 커팅 디스크는 디스크의 모서리로 재료를 커팅하도록 규정되어 있습니다. 이 그라인딩 엘리먼트의 측면에 작용하는 힘은 그라인딩 엘리먼트를 파손시킬 수 있습니다.
- ▶ 선택한 그라인딩 디스크용으로 항상 정확한 크기와 형태의 손상되지 않은 고정 플랜지를 사용하십시오. 적합한 플랜지는 그라인딩 디스크를 보호하고 그라인딩 디스크 파손의 위험을 감소시킵니다. 커팅 디스크용 플랜지는 다른 그라인딩 디스크용 플랜지와 구분할 수 있습니다.
- ▶ 대형 전동 공구에서는 마모된 그라인딩 디스크를 사용하지 마십시오. 대형 전동 공구용 그라인딩 디스크는 소형 전동 공구의 고속용으로 설계되어 있지 않으며, 파손될 수 있습니다.

#### 연삭 절단에 대한 기타 안전상의 주의사항:

- ▶ 커팅 디스크가 블로킹되거나 너무 높은 압착력을 받지 않도록 하십시오. 과도하게 깊이 절단하지 마십시오. 커팅 디스크의 과부하로 인해 디스크의 부하 및 블로킹 또는 기울기에 대한 민감도가 상승하여 반동되거나 그라인딩 엘리먼트가 파손될 수 있습니다.
- ▶ 회전하는 커팅 디스크의 앞 또는 뒤 영역에서 서 있지 마십시오. 공작물에서 커팅 디스크가 움직이면, 반동 시 회전하는 디스크와 함께 전동 공구가 바로 작업자쪽으로 미끄러질 수 있습니다.
- ▶ 커팅 디스크가 끼이거나 또는 작업이 중단될 경우, 기기를 차단하고 디스크가 정지할 때까지 그대로 두십시오. 여전히 작동하고 있는 커팅 디스크를 절단부에서 빼내려고 하지 마십시오. 반동이 일어날 수 있습니다. 끼임 현상의 원인을 확인하고 제거하십시오.
- ▶ 전동 공구가 공작물 안에 있을 경우, 전동 공구를 다시 켜지 마십시오. 절단을 조심스럽게 계속 진행하기 전에 먼저 커팅 디스크가 완전한 회전속도에 도달하도록 하십시오. 그렇지 않을 경우 디스크가 인터록크 되고 공작물로부터 튀어오르거나 또는 반동이 일어날 수 있습니다.



- ▶ 커팅 디스크의 끼임에 의한 반동의 위험을 최소화하기 위해 패널 또는 대형 공작물을 지지하십시오. 대형 공작물은 자체 중량으로 인해 휘어질 수 있습니다. 디스크 양쪽, 즉 절단부 근처와 가장자리 쪽에서 공작물을 지지해야 합니다.
- ▶ 기존 벽이나 그 외 보이지 않는 영역에서 "삽입 절단" 시에 특히 주의를 기울이십시오. 삽입식 커팅 디스크는 가스 라인 또는 워터 라인, 전기 배선 또는 다른 물체에서 절단 시 반동의 원인이 될 수 있습니다.

**사포 연삭에 대한 안전상의 주의사항:**

- ▶ 지나치게 큰 그라인딩 디스크를 사용해서는 안되며, 제조회사 설명서에 제시된 그라인딩 디스크 크기를 준수하십시오. 그라인딩 플레이트보다 큰 그라인딩 디스크는 부상을 초래할 수 있을 뿐만 아니라 그라인딩 디스크의 블로킹, 파손 또는 반동을 유발할 수 있습니다.

**와이어 브러시 작업에 대한 안전상의 주의사항:**

- ▶ 와이어 브러시는 정상적으로 사용하는 동안에도 와이어가 떨어져 나간다는 점에 유의하십시오. 너무 높은 압축력으로 와이어에 큰 부하를 가하지 마십시오. 떨어져 비산되는 와이어는 아주 가벼워 얇은 옷을 뚫고 들어가거나 또는 피부에 박힐 수 있습니다.
- ▶ 보호캡 사용을 권장하였을 경우, 보호캡과 와이어 브러시를 직접 손으로 만지지 않도록 하십시오. 점시형 브러시와 냄비형 브러시는 압축력과 원심력에 의해 그 직경이 더 커질 수 있습니다.

**2.1.3 그 외의 안전상의 주의사항**

**사용자 안전수칙**

- ▶ 기술적 하자가 없는 상태에서만 제품을 사용하십시오.
- ▶ 어떠한 경우에도 기기를 변조 또는 개조하지 마십시오.
- ▶ 회전하는 부품에 접촉하지 않도록 하십시오. - 부상 위험!
- ▶ 공구 교체 시에도 보호장갑을 착용하십시오. 공구 비트에 닿으면 부상을 입거나 화상을 당할 수 있습니다.
- ▶ 작업을 시작하기 전, 작업 시 발생하는 먼지의 위험 등급을 알아보십시오. 해당 국가의 먼지 방지 규정에 적합하며, 공식적으로 허용된 보호 등급의 산업용 진공 청소기만을 사용하십시오. 낡아 함유된 도로, 일부 목재, 콘크리트/ 조적벽돌/수정을 함유한 암석 및 금속과 같은 광물질로부터 나오는 먼지는 건강에 해로울 수 있습니다.
- ▶ 작업장을 잘 환기시키고 먼지의 종류에 따라 필요 시 보호마스크를 착용하십시오. 먼지를 흡입하거나 만질 경우, 사용자 또는 근처에 있는 사람에게 기관지 질병이나 알레르기 반응이 나타날 수 있습니다. 딱갈나무 입자 또는 너도밤나무 입자와 같은 특정 종류의 먼지는, 특히 목재 처리용으로 사용하는 첨가제(크롬산염, 목재 부식 방지제)와 결합하여 암을 일으킬 수 있습니다. 석면 물질은 전문가에서만 다룰 수 있습니다.
- ▶ 손가락의 혈액순환이 잘 되도록 휴식시간 동안 손가락 운동을 하십시오. 장시간 작업할 경우 진동으로 인해 손가락, 손 또는 손목의 혈관이나 신경 체계에 문제가 생길 수 있습니다.

**전기에 관한 안전수칙**

- ▶ 작업을 시작하기 전에, 작업장에서 가려져 있거나 덮혀 있는 전기 배선, 가스 파이프 그리고 하수도관이 있는지를 점검하십시오. 실수로 전기 케이블을 손상시킨 경우, 기기 바깥쪽에 있는 금속 부품에서 전기 쇼크를 일으킬 수 있습니다.

**전동 공구의 올바른 사용방법과 취급방법**

- ▶ 황삭 작업을 위해 커팅 디스크를 사용하지 마십시오.
- ▶ 공구 비트와 플랜지를 단단하게 조이십시오. 공구 비트와 플랜지를 단단하게 조이지 않을 경우, 스위치를 끄면 기기가 멈추면서 기기 모터로 인해 공구 비트가 스핀들로부터 풀릴 수 있습니다.
- ▶ 제조사에서 제공한 그라인딩 디스크 취급 및 보관 관련 지침에 유의하십시오.

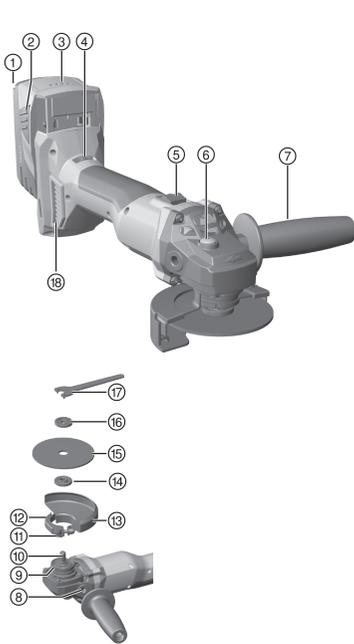
**2.1.4 배터리의 올바른 사용방법과 취급방법**

- ▶ 리튬 이온 배터리의 운반, 보관 및 사용에 대한 특수 지침에 유의하십시오.
- ▶ 배터리를 고열, 직사광선 및 화염 근처에 두지 마십시오.
- ▶ 배터리를 분해하거나 강한 압력 또는 80°C 이상의 열을 가하거나 연소시켜서는 안됩니다.
- ▶ 충격을 받은 적이 있거나, 1미터가 넘는 높이에서 떨어진 적이 있거나 혹은 다른 방식으로 손상된 배터리는 절대 사용하지 마십시오. 이러한 경우 항상 Hilti 서비스 센터로 문의해 주시기 바랍니다.
- ▶ 배터리를 잡기에 너무 뜨거울 경우에는 고장일 수 있습니다. 가연성 소재와 충분한 간격을 유지하면서, 관찰이 가능한 비연소 장소에 제품을 설치하고 제품을 냉각시키십시오. 이러한 경우 항상 Hilti 서비스 센터로 문의해 주시기 바랍니다.



### 3 제품 설명

#### 3.1 제품 개요



- ① 배터리
- ② 배터리 잠금해제 버튼
- ③ 충전상태 디스플레이
- ④ 속도 제어
- ⑤ ON/OFF 스위치
- ⑥ 스피들 잠금 버튼
- ⑦ 측면 손잡이
- ⑧ 손잡이용 나사 부싱
- ⑨ 코딩바
- ⑩ 스피들
- ⑪ 조정나사
- ⑫ 클램핑 레버
- ⑬ 표준 보호캡
- ⑭ 고정 플랜지
- ⑮ 커팅 디스크/보강 슷들
- ⑯ 클램핑 너트
- ⑰ 렌치
- ⑱ 먼지 필터

#### 3.2 규정에 맞는 사용

기술된 제품은 배터리 구동식 소형 앵글 그라인더입니다. 본 그라인더는 물을 사용하지 않고 금속성 및 광물성 재료의 연삭 절단과 황삭 가공, 브러시 작업 및 사포 연마 작업에 적합합니다. 건식 연마/절단 작업 용도로만 사용해야 합니다.

- 광물성 재료의 연삭 절단, 홈 가공 및 황삭 가공은 해당되는 보호캡(옵션으로 구매 가능)을 사용할 경우에만 작업이 허용됩니다.
- 콘크리트 또는 암석과 같은 광물성 모재를 가공하는 작업을 할 때 적합한 Hilti 먼지 흡입기에 맞는 먼지 버리기를 사용해야 합니다.
- ▶ 본 제품에는 모델시리즈 B 22의 Hilti 리튬 이온 배터리만 사용하십시오.
- ▶ 이 배터리에는 Hilti 충전기 C4/36 시리즈만 사용하십시오.

#### 3.3 공급품목

앵글 그라인더, 측면 손잡이, 표준 보호캡, 전면 커버, 고정 플랜지, 클램핑 너트, 후크 렌치, 먼지 필터, 사용 설명서.

해당 제품에 허용되는 기타 시스템 제품은 Hilti Store 또는 온라인에서 확인할 수 있습니다. [www.hilti.group](http://www.hilti.group).

#### 3.4 ATC

기기에는 전자 제어식 급속 차단장치 ATC (Active Torque Control)가 장착되어 있습니다.

공구 비트가 막히거나 또는 끼어 움직이지 않게 되면, 기기는 제어되지 않은 상태에서 갑작스럽게 반대 방향으로 돌아갑니다. ATC는 기기의 이러한 갑작스런 회전 움직임을 감지하고 즉시 기기의 전원을 차단합니다.



올바르게 작동하려면 기기가 회전할 수 있어야 합니다.  
급속 차단한 후 기기를 꺾다가 다시 켜십시오.



2223269

### 3.5 온도의존성 기기보호장치

온도의존성 엔진보호장치는 전력소비 및 엔진가열을 감시하고 기기 과열을 방지합니다. 과도한 압착력에 의한 모터 과부하시 기기의 성능이 눈에 띄게 약화되거나 기기가 정지할 수 있습니다. 과부하로 인해 정지 상태 혹은 속도 감소가 발생할 경우, 부하를 제거하고 기기를 약 30초 동안 공회전속도로 작동시키십시오.

### 3.6 전면 커버가 장착된 보호캡 2

금속물질 작업 시 보강 슛들을 이용한 황삭 가공 및 커팅 디스크의 연삭 절단을 위해 전면 커버를 장착된 표준 보호캡만 사용하십시오.

### 3.7 먼지 분리기(연삭) DG-EX 100/4"(액세서리) 3

본 연삭 시스템은 다이아몬드 컵 휠로 광물성 모재를 연삭 가공하는 작업에만 적합합니다. 이 캡으로 금속 작업을 하는 것은 금지됩니다.

### 3.8 리튬 이온 배터리의 충전 상태 디스플레이

리튬 이온 배터리의 충전 상태는 배터리 잠금해제 버튼 둘 중 하나를 누르면 표시됩니다.

상태	의미
4개 LED 점등됨.	충전 상태: 75 % ~ 100 %
3개 LED 점등됨.	충전 상태: 50 % ~ 75 %
2개 LED 점등됨.	충전 상태: 25 % ~ 50 %
1개 LED 점등됨.	충전 상태: 10 % ~ 25 %
1개 LED 깜박임.	충전 상태: < 10 %

**i** 작업을 하는 동안 그리고 작업을 끝낸 바로 직후에는 충전상태를 확인하는 것이 불가능합니다. 배터리 충전상태 표시 LED가 점멸할 경우, "고장 시 대책" 장의 지침에 유의하십시오.

## 4 소모품

회전속도 최대 11500/min 이상 및 주변 속도 80 m/s 이상에 허용되는 합성수지 계열의 섬유 보강된 보강 슛들만 최대 Ø 100 mm 그리고 합성수지 계열의 섬유 보강된 디스크만 최대 Ø 104.9 mm에 사용할 수 있습니다. 디스크 두께는 보강 슛들에서 최대 6.4 mm 그리고 커팅 디스크에서 최대 2.5 mm이어야 합니다.

주의! 커팅 디스크를 이용하여 절단 및 홈 가공할 때 항상 추가 전면 커버가 장착된 표준 보호캡 또는 전체가 폐쇄된 먼지 분리기를 사용하십시오.

디스크

모델	용도	표시	모재
연마 커팅 디스크	연삭 절단, 홈	AC-D	금속성
다이아몬드 커팅 디스크	연삭 절단, 홈	DC-TP, DC-D (SPX, SP, P)	광물성
연마성 보강 슛들	황삭 가공	AG-D, AF-D, AN-D	금속성
다이아몬드 보강 슛들	황삭 가공	DG-CW (SPX, SP, P)	광물성
와이어 브러쉬	와이어 브러쉬	3CS, 4CS, 3SS, 4SS	금속성
파이버 디스크	황삭 가공	AP-D	금속성

사용한 장비에 디스크 배정

위치	장비	AC-D	AG-D, AF-D, AN-D	DG-CW (SPX, SP, P)	DC-TP, DC-D (SPX, SP, P)	AP-D	3CS, 4CS, 3SS, 4SS, DD-M14
A	보호캡	X	X	X	X	X	X
B	상판(A와 결합)	X	—	—	X	—	—



위치	장비	AC-D	AG-D, AF-D, AN-D	DG-CW (SPX, SP, P)	DC-TP, DC-D (SPX, SP, P)	AP-D	3CS, 4CS, 3SS, 4SS, DD-M14
C	먼지 분리기(연삭) DG-EX 100/4"	—	—	X	—	—	—
D	측면 손잡이	X	X	X	X	X	X
E	클램핑 너트	X	X	X	X	—	—
F	고정 플랜지	X	X	X	X	—	—
G	파이버 디스크용 클램핑 너트	—	—	—	—	X	—
H	서포트 플레이트	—	—	—	—	X	—

## 5 기술자료

스핀들 길이	16mm
작동 시 주변 온도	-17 °C ... 60 °C
보관 온도	-20 °C ... 70 °C

### 5.1 기술자료

	AG 4S-A22-100
정격 전압	21.6V
회전 속도 측정기	8,500/min
최대 디스크 직경	104.9mm
<b>EPTA-Procedure 01에 따른 무게</b>	3.0kg
구동 스팀들 나사부	M10
스핀들 길이	16mm
작동 시 주변 온도	-17 °C ... 60 °C
보관 온도	-20 °C ... 70 °C

### 5.2 배터리

배터리 모드 전압	21.6V
작동 시 주변 온도	-17 °C ... 60 °C
보관 온도	-20 °C ... 40 °C
충전 시작 시 배터리 온도	-10 °C ... 45 °C

### 5.3 EN 60745에 따른 소음 정보 및 진동값

이 지침에 제시된 음압 및 진동수준은 표준화된 측정방법에 따라 측정된 것이며, 전동 공구를 서로 비교하기 위한 용도로 사용할 수 있습니다. 음압 및 진동 수준은 노출 정도를 사전에 예측하는 데에도 유용하게 사용할 수 있도록 설계되어 있습니다.

제시된 데이터는 전동 공구의 주된 용도를 나타냅니다. 그러나 전동 공구를 다른 용도로 사용하거나 다른 공구 비트를 사용할 경우 또는 유지보수를 충분히 하지 않은 상태에서는 데이터에 편차가 있을 수 있습니다. 이러한 경우 전 작업시간에 걸쳐 노출이 현저하게 증가할 수 있습니다.

노출을 정확하게 평가하기 위해서는 기기 작동이 멈춰 있거나 또는 작동 중이지만 실제로는 사용하지 않는 시간도 고려해야 합니다. 이러한 경우 전 작업시간에 걸쳐 노출이 현저하게 감소할 수 있습니다.

사용자를 보호하기 위해 음파 그리고/또는 진동이 작용하기 전에 다음과 같은 추가적인 안전 조치를 취하십시오. 전동 공구와 공구 비트의 유지보수, 손을 따뜻하게 유지, 작업순서 정하기 등.

#### AG 4S-A22-100

##### 소음 정보

음압 수준 ( $L_{pA}$ )	81.5dB(A)
음압 수준 허용공차 ( $K_{pA}$ )	3dB(A)



2223269

한국어

39

소음 수준 (L <sub>WA</sub> )	92.5dB(A)
소음 수준 허용공차 (K <sub>WA</sub> )	3dB(A)

### 진동 정보

절단 작업과 같은 다른 용도로 사용할 경우 진동값이 차이날 수 있습니다.

진동감쇠 손잡이로 표면 연삭 (a <sub>n,AG</sub> )	1.1m/s <sup>2</sup>
진동감쇠 손잡이로 사포 연삭 (a <sub>n,DS</sub> )	3.7m/s <sup>2</sup>
허용공차 (K)	1.5m/s <sup>2</sup>

## 6 사용전 준비사항

### 6.1 배터리 충전

- 충전하기 전에 충전기의 사용 설명서를 읽으십시오.
- 배터리 및 충전기의 접점이 청결하고 건조한 상태인지 확인하십시오.
- 허용되는 충전기에서 배터리를 충전하십시오.

### 6.2 배터리 삽입



#### 주의

단락 또는 배터리 낙하로 인한 부상 위험!

- ▶ 배터리를 끼우기 전에 배터리의 접점 및 제품의 접점에 이물질이 남아 있지 않은지 확인하십시오.
- ▶ 배터리가 제대로 고정되었는지 확인하십시오.

- 처음으로 사용하기 전, 배터리를 완전히 충전하십시오.
- 잠기는 소리가 들릴 때까지 배터리를 기기 홀더 안에 끼우십시오.
- 배터리가 정확하게 설치되어 있는지 점검하십시오.

### 6.3 배터리 제거

- 배터리의 잠금 해제 버튼을 누르십시오.
- 배터리를 기기에서 빼내십시오.

### 6.4 측면 손잡이 설치

- ▶ 지정된 나사 부싱에 측면 손잡이를 조이십시오.

### 6.5 보호캡 장착 또는 탈거



#### 주의

부상 위험. 공구 비트가 뜨겁거나 모서리가 날카로울 수 있습니다.

- ▶ 조립, 분리, 조정 작업 및 고장 제거 시 보호장갑을 착용하십시오.

- ▶ 보호캡에 관한 조립설명서 내용에 유의하십시오.

#### 6.5.1 표준 보호캡 설치



보호캡의 코딩은 제품에 맞는 보호캡만 설치되도록 확인시켜줍니다. 그 외에도 보호캡이 공구 위로 떨어지지 않도록 방지합니다.

- 배터리를 제거하십시오. → 페이지 40
- 클램핑 레버를 여십시오.
- 보호캡을 코딩바와 함께 공구 헤드의 스핀들넥에 있는 코딩홈 안으로 끼우십시오.
- 보호캡을 요구되는 위치로 돌리십시오.
- 고정을 위해 클램핑 레버의 보호캡을 닫으십시오.



보호캡은 이미 조정나사로 정확한 클램핑 직경으로 설정되었습니다. 보호캡을 설치했을 때 전압이 너무 낮으면 조정나사를 살짝 당겨서 장력을 높일 수 있습니다.



### 6.5.2 표준 보호캡 조정 5

1. 배터리를 제거하십시오. → 페이지 40
2. 클램핑 레버를 여십시오.
3. 보호캡을 요구되는 위치로 돌리십시오.
4. 고정을 위해 클램핑 레버의 보호캡을 닫으십시오.

### 6.5.3 표준 보호캡 분리

1. 클램핑 레버를 여십시오.
2. 보호캡을 돌려 코딩바가 코딩홈과 일치할 하면 보호캡을 분리하십시오.

## 6.6 전면 커버 장착 또는 탈거 6



전면 커버를 가지고 작업할 경우, 전면 커버가 보호캡에 끼워집니다.

1. 잠금장치가 맞물려 끼워질 때까지 전면 커버의 닫힌 면을 표준 보호캡에 끼우십시오.
2. 탈거하려면 전면 커버의 잠금장치를 열고 표준 보호캡에서 이를 분리하십시오.

## 6.7 공구 비트 장착 또는 탈거



### 경고

부상 위험. 공구 모터에 제동을 걸 때 공구 비트가 풀릴 수 있습니다.

- ▶ 공구 비트 또는 클램핑 너트를 잡기 전에 공구 비트가 정지할 때까지 기다리십시오.
- ▶ 공구 비트 및 고정 플랜지를 클램핑 너트와 함께 단단히 조여서 공구 모터에 제동을 걸 때 스프indel에서 부품이 풀리지 않도록 하십시오.



### 주의

부상 위험. 공구 비트가 뜨거워질 수 있습니다.

- ▶ 공구 비트 교체 시 보호장갑을 착용하십시오.



다이아몬드 디스크는 절단 및 연삭 성능이 현저히 떨어지면 즉시 교체해야 합니다. 이는 일반적으로 다이아몬드 세그먼트의 높이가 2 mm 보다 낮을 경우에 해당됩니다.

절단 기능이 현저히 떨어지거나 또는 작업하는 동안 앵글 그라인더 부품(디스크 제외)이 작업 소재와 접촉하는 경우 바로 디스크 타입을 교체해야 합니다.

연마 디스크는 유효기간이 만료되면 교환해야 합니다.

### 6.7.1 공구 비트 장착 7

1. 배터리를 제거하십시오. → 페이지 40
2. 고정 플랜지와 클램핑 너트를 깨끗이 하십시오.
3. 고정 플랜지를 스프indel에 끼우십시오.
4. 공구 비트를 끼우십시오.
5. 클램핑 너트를 사용된 공구 비트에 맞춰서 조이십시오.
6. 스프indel 잠금 버튼을 누른 다음, 그대로 누르고 계십시오.
7. 후크 렌치를 이용하여 클램핑 너트를 조인 다음, 이어서 스프indel 잠금 버튼에서 손을 떼고 클램핑 너트를 제거하십시오.

### 6.7.2 공구 비트 분리

1. 배터리를 제거하십시오. → 페이지 40



### 주의

파열 위험 및 파손 위험. 스프indel이 돌아가는 동안 스프indel 잠금버튼이 눌리면, 공구 비트가 풀릴 수 있습니다.

- ▶ 스프indel 잠금버튼은 스프indel이 정지된 상태에서만 누르십시오.

2. 스프indel 잠금 버튼을 누른 다음, 그대로 누르고 계십시오.
3. 후크 렌치를 끼우고 시계 방향으로 돌려 클램핑 너트를 푸십시오.
4. 스프indel 잠금버튼에서 손을 떼고 공구 비트를 분리하십시오.



### 6.7.3 와이어 브러쉬 설치

1. 배터리를 제거하십시오. → 페이지 40
2. 측면 손잡이를 설치하십시오. → 페이지 40
3. 표준 보호캡을 설치하십시오.
4. 와이어 브러쉬를 설치한 다음, 단단히 조이십시오.
5. 스프링 잠금 버튼을 누른 다음, 그대로 누르고 계십시오.
6. 와이어 브러쉬를 적합한 스패너를 이용하여 조이십시오.
7. 이후 스프링들 잠금 버튼에서 손을 떼고 스패너를 제거하십시오.

### 6.7.4 파이버 디스크 설치

1. 배터리를 제거하십시오. → 페이지 40
2. 측면 손잡이를 설치하십시오. → 페이지 40
3. 표준 보호캡을 설치하십시오.
4. 서포트 플레이트 및 파이버 디스크를 설치한 후 클램핑 너트를 단단히 조이십시오.
5. 스프링들 잠금 버튼을 누른 다음, 그대로 누르고 계십시오.
6. 후크 렌치를 이용하여 클램핑 너트를 조이십시오.
7. 이후 스프링들 잠금 버튼에서 손을 떼고 후크 렌치를 제거하십시오.

## 7 조작

### 7.1 전원 켜기

1. ON/OFF 스위치 뒷 부분을 누르십시오.
2. ON/OFF 스위치를 앞쪽으로 밀어 주십시오.
  - ↳ 모터가 작동합니다.
3. ON/OFF 스위치를 잠그십시오.

### 7.2 연삭

#### 주의

부상 위험. 공구 비트가 갑자기 막히거나 걸릴 수 있습니다.

- ▶ 항상 측면 손잡이를 이용하여 공구를 사용하고, 공구를 양손으로 움직이지 않게 잡으십시오.

### 7.3 연삭 절단

- ▶ 연삭 절단 시에 적절한 이송 속도로 작업하고 기기 또는 커팅 디스크를 기울이지 마십시오(작업 위치는 절단면 기준 대략 90°).



최소형의 단면부에서 커팅 디스크를 설치하면, 측면부와 사각 파이프를 최상의 결과로 절단하게 됩니다.

### 7.4 황삭 가공

#### 주의

부상 위험. 커팅 디스크가 파열되어 분리된 부품으로 인해 부상을 입을 수 있습니다.

- ▶ 절대로 황삭 작업을 위해 커팅 디스크를 사용하지 마십시오.
- ▶ 기기를 진입 각도 5° ~ 30°로 적절한 압력을 가해 앞뒤/좌우로 이동시키십시오.
  - ↳ 작업물이 과열 및 변색되지 않으며 금이 생기지 않음.

### 7.5 전원 끄기

- ▶ ON/OFF 스위치 뒷 부분을 누르십시오.
  - ↳ ON/OFF 스위치가 자동으로 OFF 위치로 바뀌고 모터가 정지합니다.



## 8 관리 및 유지보수

### 경고

배터리가 끼워진 상태에서 부상 위험!

- ▶ 관리 및 수리 작업을 진행하기 전에 항상 배터리를 제거하십시오!

#### 기기 관리

- 공구에 부착된 오염물질을 조심스럽게 제거하십시오.
- 먼지 필터를 제거하여 세척하고, 환기 슬롯을 조심스럽게 마른 솔로 닦아내십시오.
- 하우징은 약간 물을 적신 천으로만 닦으십시오. 플라스틱 부품을 손상시킬 수 있으므로 절대로 실리콘이 함유된 보호제를 사용하지 마십시오.

#### 리튬 이온 배터리 관리

- 배터리를 오일 및 그리스가 묻지 않도록 깨끗하게 유지하십시오.
- 하우징은 약간 물을 적신 천으로만 닦으십시오. 플라스틱 부품을 손상시킬 수 있으므로 절대로 실리콘이 함유된 보호제를 사용하지 마십시오.
- 습기가 스며들지 않도록 주의하십시오.

#### 유지보수

- 눈에 보이는 모든 부품은 정기적으로 손상 여부를 점검하고 조작 요소가 아무 문제 없이 작동하는지 점검하십시오.
- 손상되었거나 기능 장애가 있는 경우에는 제품을 작동하지 마십시오. 바로 Hilti 서비스 센터에서 수리받으십시오.
- 관리 및 수리 작업 후 모든 보호장치를 가져와 기능을 점검하십시오.



안전하게 작동하기 위해서는 순정품 예비 부품 및 소모품만 사용하십시오. 해당 제품에 허용되는 예비 부품, 소모품 및 액세서리는 **Hilti Store** 또는 [www.hilti.group](http://www.hilti.group)에서 확인할 수 있습니다.

## 9 배터리 기기 운반 및 보관

### 운반

#### 주의

운반 시 돌발적으로 작동됨!

- ▶ 제품은 항상 배터리를 장착하지 않은 상태로 운반하십시오!
- ▶ 배터리를 분리하십시오.
- ▶ 배터리를 포장하지 않은 채로 운반해서는 절대 안 됩니다.
- ▶ 기기 및 배터리를 장시간 운반한 후에는 사용하기 전에 손상 여부를 점검하십시오.

### 보관

#### 주의

배터리 결함 또는 방전으로 인한 돌발적인 손상!

- ▶ 제품은 항상 배터리를 장착하지 않은 상태로 보관하십시오!
- ▶ 기기 및 배터리는 최대한 시원하고 건조한 곳에서 보관하십시오.
- ▶ 배터리는 절대 직사광선이 들어오는 곳, 히터 위 또는 유리 뒤쪽에 보관하지 마십시오.
- ▶ 기기와 배터리는 어린이 및 허용되지 않는 사람의 손에 닿지 않도록 하십시오.
- ▶ 기기 및 배터리를 장시간 보관한 후에는 사용하기 전에 손상 여부를 점검하십시오.

## 10 문제 발생 시 도움말

본 도표에 제시되어 있지 않거나 스스로 해결할 수 없는 문제가 발생한 경우 Hilti 서비스 센터에 문의해 주십시오.

### 10.1 고장진단

장애	예상되는 원인	해결책
배터리가 평소보다 더 빨리 방전됨.	주변 온도가 너무 낮음.	▶ 실온에서 배터리를 서서히 따뜻하게 하십시오.



2223269

한국어

43

장애	예상되는 원인	해결책
배터리를 밀어 넣을 때 찰칵하는 소리가 들리지 않음.	배터리 래치 오염됨.	▶ 배터리 래치를 청소하고 배터리를 다시 끼우십시오.
1개 LED 깜박임. 기기가 작동하지 않음.	배터리가 방전되었음.	▶ 배터리를 교체하고 방전된 배터리를 충전하십시오.
	배터리 과열 또는 과냉.	▶ 실온에서 배터리를 서서히 따뜻하게 하거나 또는 냉각시키십시오.
4개 LED 모두 깜박임. 기기가 작동하지 않음.	기기가 과부하되었음.	▶ 컨트롤 스위치에서 손을 떼고 스위치를 다시 조작하십시오. 그리고 나서 기기를 공회전 속도에서 약 30 초간 작동시키십시오.
앵글 그라인더 또는 배터리에서 과도한 열 발생.	전기적 결합	▶ 즉시 기기를 끄고, 배터리를 분리하여 관찰한 후 냉각시키십시오. <b>Hilti</b> 서비스센터에 문의하십시오.
기기가 전출력으로 작동되지 않음.	사용한 배터리의 용량이 부족함.	▶ 충분한 용량을 갖춘 배터리를 사용하십시오.
모터의 제동 기능 없음.	배터리가 방전되었음.	▶ 배터리를 교체하고 방전된 배터리를 충전하십시오.
	공구가 잠시 과부하됨.	▶ 기기를 꺾다가 다시 켜십시오.

## 11 RoHS (유해물질 사용 제한 지침)

아래 링크에서 유해물질에 관한 도표를 확인할 수 있습니다. [qr.hilti.com/r9884540](http://qr.hilti.com/r9884540).  
RoHS 도표로 이어지는 링크는 본 문서 끝에 QR 코드 형식으로 제시되어 있습니다.

## 12 폐기

**Hilti** 기기는 대부분 재활용이 가능한 소재로 제작되었습니다. 재활용을 위해 개별 부품을 분리하여 주십시오. **Hilti**는 대부분의 국가에서 재활용을 위해 노후기기를 수거해 갑니다. **Hilti** 고객 서비스 센터 또는 판매 상담자에게 문의하십시오.

### 배터리 폐기

배터리를 부적절하게 폐기함으로 인해 가스 또는 용액이 새어나와 건강상의 피해를 입을 수 있습니다.

- ▶ 손상된 배터리는 전달하지 마십시오!
- ▶ 비전도성 소재로 연결 단자를 막아 두어 단락이 발생하지 않게 하십시오.
- ▶ 배터리가 어린이의 손에 닿지 않도록 폐기하십시오.
- ▶ **Hilti Store**에서 배터리를 폐기하거나 또는 담당 폐기물 처리 업체에 문의하십시오.



- ▶ 전동 공구, 전자식 기기 및 배터리를 일반 가정 쓰레기로 폐기하지 마십시오!

## 13 제조회사 보증

- ▶ 보증 조건에 관한 질문사항은 **Hilti** 파트너 지사에 문의하십시오.



# 1 文件相關資訊

## 1.1 關於此文件

- 初次操作或使用前，請先詳讀此文件。本文件包含安全前提、疑難排解處理和產品使用。
- 請遵守本文中與產品上的安全說明和警告。
- 操作說明應與產品一起保管，產品交予他人時必須連同操作說明一起轉交。

## 1.2 已使用的符號說明

### 1.2.1 警告

警告使用本產品的人員可能發生之危險。採用了以下標示文字：



**危險！**

- ▶ 此標語警示會發生對人造成嚴重傷害甚至致死的危險情形。



**警告！**

- ▶ 此標語警示會造成嚴重傷害甚至致死危險的潛在威脅。



**注意！**

- ▶ 此標語警示可能會發生造成人員受傷，或造成設備及其他財產損壞之危險狀況。

### 1.2.2 文件中的符號

本文中採用以下符號：

	使用前請閱讀操作說明。
	使用說明與其他資訊
	處理可回收的材料
	不可將電子設備與電池當作家庭廢棄物處置

### 1.2.3 圖解中的符號

圖解中採用了以下符號：

	號碼對應操作說明的開始處的圖解
	編號代表圖解中的操作步驟順序，可能與內文中的步驟有所不同
	項目參考編號用於總覽圖解，並請參閱產品總覽章節中使用的編號
	本符號是為了讓您在操作本產品時可以注意某些重點。

## 1.3 產品專屬符號

### 1.3.1 產品上的符號

產品上採用以下列符號：

	穿戴護目鏡
n	額定速率
/min	每分轉數



2223269

RPM	每分鐘轉數
$\varnothing$	直徑
==	直流電 (DC)
	本產品支援相容於iOS及Android平台的無線資料傳輸。
Li-Ion	鋰電池
	使用Hilti鋰電池類型系列。請遵守用途一節所提供之資訊。
	請勿將電池使用作為敲擊工具。
	避免電池掉落。不得使用遭受衝擊或其他原因遭成損壞的電池。

## 1.4 產品資訊

**HILTI** 產品是針對專業使用者設計，故僅經訓練、認可的人員可操作、維修與維護本產品。必須告知上述人員關於可能遭遇到的特殊危險。若因未經訓練人員操作錯誤或未依照其原本的用途操作，則本產品和它的輔助工具設備有可能會發生危險。

類型名稱和序號都標示於額定銘牌上。

- ▶ 在下方表格中填入序號。與Hilti維修中心或當地Hilti機關聯絡查詢產品相關事宜時，我們需要您提供產品詳細資訊。

### 產品資訊

角磨機	AG 4S-A22
產品代別	01
序號	

## 1.5 符合聲明

基於我們唯一的責任，本公司在此聲明本產品符合適用的指示或標準。本文件結尾處有符合聲明之副本。技術文件已歸檔：

Hilti Entwicklungsgesellschaft mbH | Tool Certification | Hiltistrasse 6 | 86916 Kaufering, Germany

## 2 安全性

### 2.1 安全操作說明

#### 2.1.1 一般電動機具安全警告

**⚠ 警告** 請詳閱本電動機具提供的所有安全警告、指示、圖解和說明。未能遵守以下所有指示可能會造成電擊事故、火災和 / 或嚴重的傷害。

妥善保存所有警示及說明，以供將來參考。

注意事項中的「機具」係指使用電源（有線）或電池（無線）的電動機具。

#### 工作區域安全

- ▶ 請保持工作區的清潔與採光充足。雜亂而昏暗的工作區會導致意外發生。
- ▶ 勿在容易發生爆炸的環境中使用機具，例如有可燃性液體、瓦斯或粉塵存在的環境。機具產生的火花可能會引燃塵埃或煙霧。
- ▶ 操作機具時，請與兒童及旁人保持距離。注意力不集中時容易發生失控的情形。

#### 電力安全

- ▶ 機具插頭與插座須能互相搭配。勿以任何方式改裝插頭。勿將任何變壓器插頭和與地面接觸（接地）的電動機具搭配使用。未經改裝的插頭以及能互相搭配的插座可減少發生電擊的危險。
- ▶ 避免讓身體接觸到如管線、散熱器、爐灶與冰箱等與土地或地表接觸之物品。如果您的身體接觸到地表或地面，將增加電擊的危險。
- ▶ 請勿將機具曝露在下雨或潮濕的環境中。若水氣進入機具中將增加觸電的危險。



- ▶ 勿濫用電纜線。勿以電纜線吊掛、拖拉機具或拔下機具插頭。電纜線應避開熱氣、油、銳利的邊緣或移動性零件。電纜線損壞或纏繞會增加發生電擊事故的危險。
- ▶ 於室外操作機具時，須使用適用於戶外的延長線。使用適合戶外使用的延長線可降低觸電的風險。
- ▶ 如果無法避免在潮濕的地點操作機具，請使用漏電斷路器（RCD）保護電源供應器。使用漏電斷路器（RCD）可降低電擊的風險。

#### 人員安全

- ▶ 操作機具時，請提高警覺，注意進行中的工作並善用常識。感到疲勞或受到藥物、酒精或治療的影響時勿使用機具。操作機具時稍不留神就可能造成嚴重的人員傷亡。
- ▶ 穿戴個人防護裝備。請隨時穿戴眼罩。適當使用防塵面罩、防滑鞋、安全帽及耳罩等安全防護配備可減少人員的傷害。
- ▶ 避免不經意的啟動。在接上電源或電池組、抬起或攜帶機具之前，務必確認開關處於關閉的位置。攜帶機具時，如果把手指放在開關上，或在開關開啟時，將機具插上插頭容易發生意外。
- ▶ 啟動機具前，應將所有調整鑰匙或扳手移開。將扳手或鑰匙留在機具的旋轉零件中可能會造成人員傷害。
- ▶ 勿將手伸出過遠。隨時站穩並維持平衡。這可讓您在意外情況發生時，對機具有較好的控制。
- ▶ 穿著適當服裝。請勿穿著寬鬆的衣服或佩戴珠寶。頭髮、衣服與手套應遠離移動性零件。移動性零件可能會夾到寬鬆的衣服、珠寶或長髮。
- ▶ 如果機具可連接吸塵裝置與集塵設備，請連接並適當使用這些設備。使用集塵裝置可降低與粉塵有關的危險。
- ▶ 請勿因頻繁而習慣使用機具便疏於遵守或忽略機具的安全規範。草率使用可能在轉眼間便造成嚴重的傷害。

#### 機具使用與保養

- ▶ 不可強制使用機具。依據用途使用正確的機具。根據設計的速率使用機具可更快速安全地完成工作。
- ▶ 若開關無法啟動或關閉電動工具時，請勿使用電動工具。任何無法以開關控制的機具都很危險且需要維修。
- ▶ 在進行任何調整、更換配件、或貯放電動機具前，請先將插頭拔離插座和 / 或將電池組自電動機具卸下（如可拆卸）。此預防安全措施可降低機具意外啟動的風險。
- ▶ 將閒置的機具貯放在兒童拿不到的地方，勿讓不熟悉或未詳閱本說明的人員操作本機具。機具在未經訓練的使用者手中是很危險的。
- ▶ 維護機具與配件。請檢查移動性零件有無偏移或黏合的情形、零件有無破損，以及任何會影響機具運轉的狀況。如果機具受損，請先維修後再使用。很多意外便是由維護不當的機具造成的。
- ▶ 保持切割機具的銳利與清潔。具銳利切割邊緣的切割機具如果得到適當的維護，便較不會發生黏合的現象，且較容易控制。
- ▶ 遵守本指示說明使用機具、配件和工具組等，並考量工作條件與待進行的工作。將機具用在原目的之外用途可能會造成危險。
- ▶ 保持握把與其表面的乾燥、清潔且不要讓上面出現油漬。握把及其表面濕滑會在意外情況中造成機具無法安全掌控。

#### 電池機具的使用與保養

- ▶ 務必使用原廠指定的充電器進行充電。將適合特定類型電池的充電器使用在其他電池時，會有造成火災的危險。
- ▶ 務必使用機具特別指定的電池匣。使用其他的電池匣可能會造成受傷或火災。
- ▶ 電池匣未使用時，請將其遠離如迴紋針、錢幣、鑰匙、針、固定釘或其他會在電池兩極間形成連結的小型金屬物件。在電池兩極間建立短路可能會造成灼傷或火災。
- ▶ 若使用不當，可能有液體由電池流出；請避免接觸該液體。若不慎接觸，請以清水沖洗。如果不小心讓液體接觸到眼睛，請立即尋求醫療援助。從電池中滲出的液體，可能會導致過敏或灼傷。
- ▶ 請勿使用損壞或改裝過的電池組或機具。受損或改裝過的電池可能會無法正常運作而造成起火、爆炸或受傷的風險。
- ▶ 請勿將電池組或機具曝露在火源或極端的溫度環境中。曝露在火源或溫度超過130° C (265 °F) 的環境下可能會造成爆炸。
- ▶ 請遵守充電操作說明且不要在說明所載的溫度範圍之外為電池組或機具充電。不當充電或在指定溫度範圍外充電均可能造成電池損壞並提高起火的風險。

#### 維修服務

- ▶ 請將機具交給合格的維修人員進行維修，並使用相同的替代零件。這可確保維護機具安全。
- ▶ 請勿自行維修損壞的電池。損壞的電池僅可由製造商或授權的維修商進行維修。

#### 2.1.2 一般研磨、砂磨、鐵刷、拋光或研磨切割操作之安全警告：

- ▶ 本機具可作為研磨機、砂磨機、鐵刷或切割機具。請詳閱本電動機具提供的所有安全警告、指示、圖解和說明。未能遵守以下所有指示可能會造成電擊事故、火災和 / 或嚴重的傷害。
- ▶ 不建議以此機具進行拋光等操作。使用本電動機具進行非設計用途的作業將產生危險並導致人員受傷。



- ▶ 請勿使用非針對本機具設計和機具製造商建議的配件。即使該配件可以與機具完全配合，並不代表可以安全地操作機具。
- ▶ 配件的額定速率，至少必須與標示在機具上的最大速率相同。配件的運轉速率如果比其標示的額定速率還快，可能會造成機具破損並解體。
- ▶ 配件的外徑和厚度，必須在機具的額定速率範圍內。規格不正確的配件無法受到足夠的防護或控制。
- ▶ 如果要將配件安裝在螺紋上，則配件必須符合研磨機主軸螺紋。如果是利用凸緣安裝的配件，則配件的軸孔必須符合嵌在凸緣位置的直徑。如果配件的軸孔無法與嵌在機具上的硬體配合，會造成機具失去平衡、過度震動，進而失去控制。
- ▶ 不可使用受損配件。每次使用前請檢查配件，如研磨輪是否有缺口和裂縫、襯墊是否有裂縫、撕裂或過度磨損、鐵刷是否鬆脫、鐵絲是否缺損。如果機具或配件掉落，請檢查是否有損毀，或請安裝完好的配件。檢查和安裝配件後，請您與旁觀者站立到運轉中配件平面之外，且在未負載轉速的狀況下，持續讓機具以最快速度運轉一分鐘。受損配件通常會在此測試期間破裂。
- ▶ 請穿戴個人防護裝備。根據實際操作的狀況，使用面罩、安全護目鏡或防護眼鏡。在適當的情況下，請戴上防塵面罩、耳罩、手套和可以防止碎片或工件斷片的工廠圍裙。護目鏡必須能有效防止不同操作中產生的碎片。防塵面罩或口罩必須能過濾操作中所產生的粉塵。暴露在高分貝噪音中過久，會造成聽力損害。
- ▶ 請隔絕其他人員進入工作區。任何進入工作區的人員必須穿戴個人防護裝備。工件碎片或破損配件可能會飛散，造成操作工作區外人員受傷。
- ▶ 當所進行的工作，其切割工具可能會碰觸到隱藏配線，進行操作時請握住機具的絕緣握把。接觸「導電」電線，會導致機具暴露在外金屬零件「導電」，使得操作人員遭受電擊。
- ▶ 請確保電線不在旋轉中配件的範圍內。如果失控，可能會切到電線或切斷電線，您的手掌或手臂可能會捲入旋轉中的配件。
- ▶ 請勿在配件完全靜止前，放下機具。旋轉中的配件可能會被地面絆住，並拉扯機具，導致無法掌控機具。
- ▶ 請勿在身體側邊握住機具時，操作機具。不小心與旋轉中配件接觸，可能會撕裂衣物並將配件推向自己的身體。
- ▶ 請定時清理機具的通風口。馬達風扇會將粉塵捲入外殼，累積過多的粉塵會造成機具損壞。
- ▶ 請勿在靠近易燃材料處操作機具。火花可能會引燃這些易燃物。
- ▶ 請勿使用需要冷卻液的配件。使用水或其他冷卻液會造成觸電或電擊事件。

#### 反作用力與相關警告

- 反作用力是轉輪、襯墊、鐵刷或其他配件受到擠壓或斷裂時會出現的突然反應。擠壓和斷裂的轉輪會導致旋轉配件迅速熄火，使得失控的機具在黏合處以與配件旋轉相反的方向強制運轉。
- 舉例來說，若研磨轉輪斷裂或受到工件的擠壓，要進入擠壓點的轉輪邊緣可能會鑽進材料的表面，使得轉輪移位或故障。轉輪可能會依照擠壓時的活動方向跳向或跳離操作員。研磨轉輪也可能會在此情況之下斷裂。反作用力是機具誤用及/或不正確操作程序或情況下的結果，若採用以下正確預防措施，則可避免此情況。
- ▶ 穩固地握住機具，並穩住您的雙臂和身體，以抵抗反作用力。如果有輔助握把的話，請使用輔助握把有效控制啟動時的反作用力或扭力。操作員如果採取適當的防護措施，可以控制扭力或反作用力。
  - ▶ 請勿將雙手靠近旋轉中的配件。配件可能會反作用力到您的手上。
  - ▶ 請勿站立在發生反作用力發生時機具移動的範圍中。反作用力發生時，機具會在斷裂處以與轉輪旋轉相反的方向強制運轉。
  - ▶ 處理尖角、銳利的邊緣時，請穿戴特殊的防護裝備，防止反作用力和斷裂的配件。尖角、銳利的邊緣或反作用力會扯斷旋轉中的配件，導致無法控制機具或機具反作用力。
  - ▶ 勿加載鋸鏈、木刻刀片或鋸齒刀片。此類刀片常會造成反作用力，而無法控制機具。

#### 研磨及研磨切割操作的安全警告：

- ▶ 僅使用機具建議使用的轉輪類型，和專為選定轉輪而設計的特定防護套。使用非專為機具設計的轉輪，將無法發揮正常防護功能且不安全。
- ▶ 中心降低轉輪的研磨表面必須安裝在保護套緣的下方。如果安裝不當而導致轉輪突出於保護套緣時，將無法提供適當的保護。
- ▶ 防護套須確實固定於機具上，且位於最安全的位置，確保轉輪與操作人員身體最少的接觸。防護套可保護操作員，免於受到損壞轉輪碎片擊傷、意外碰觸轉輪和衣服遭火花引燃的危險。
- ▶ 轉輪僅用於建議的操作中，例如：勿以切割轉輪兩側進行研磨。研磨切割轉輪係專為周邊研磨而設計。在轉輪側面施力，可能會使其解體。
- ▶ 使用未受損且符合選定轉輪規格及形狀的轉輪凸緣。合適的轉輪凸緣可支撐轉輪，降低轉輪破損的風險。切割轉輪的凸緣可能與研磨轉輪凸緣不同。
- ▶ 請勿使用大型機具之磨損轉輪。大型機具使用的轉輪不適合高速的小型機具使用，可能會造成爆炸。

#### 研磨切割操作的其他安全警告：

- ▶ 不可「硬塞」切割轉輪或施以太大的壓力。不可作太深的切割。轉輪超載會增加負載量，並可能造成切割時轉輪扭曲或黏合，以及發生反作用力或轉輪破損。
- ▶ 勿與旋轉中的轉輪呈一直線或站在其後。轉輪在運轉時的方向，是轉離您的身體。可能發生的反作用力會將旋轉中的轉輪和機具直接推向您。



- ▶ 當轉輪黏合或因任何原因中斷切割，請關閉機具然後握住機具不動，直到轉輪完全停止轉動。請勿嘗試在轉輪運轉時，移除切割轉輪，否則會產生反作用力。了解並採取更正措施，以消除轉輪黏合的原因。
- ▶ 勿在工件內重新啟動切割作業。請讓轉輪以全速轉動，並小心重新切割。機具若於工件內重新啟動作業，可能會造成轉輪黏合、向上移動或產生反作用力。
- ▶ 支撐控制板或過大的工件，以減少轉輪黏合及產生反作用力的風險。大型的工件可能因為其自身的重量而下垂。必須在工件下，靠近切割線和靠近工件轉輪兩側邊緣加以支撐。
- ▶ 在牆面上或其他盲蔽區域執行「挖空切割」時，請格外小心。突出的轉輪可能會切斷瓦斯管或水管、電線或任何物件，造成反作用力。

#### 砂磨操作的安全警告：

- ▶ 請勿使用尺寸過大的磨砂碟片紙。選擇磨砂紙時，請遵照製造商建議。過大的磨砂紙若超出磨砂墊會有撕破的危險，可能會造成碟片斷裂、撕裂或是反作用力。

#### 鐵刷操作的安全警告：

- ▶ 請注意，即使是正常的操作下，鐵刷也會噴出鋼絲。不可對鐵刷施以太多的壓力而造成鋼絲的負載過重。鋼絲很容易刺穿輕薄的衣物和 / 或皮膚。
- ▶ 執行鐵刷作業時若建議使用防護套，則不可讓鋼絲轉輪或有防護套的鐵刷受到干擾。鋼絲轉輪或鐵刷會因工作負載和離心力延長其直徑。

### 2.1.3 其他安全指示

#### 人員安全

- ▶ 僅在本產品能正常運轉時使用。
- ▶ 勿嘗試以任何方式改裝機具。
- ▶ 避免接觸旋轉中零件 - 有受傷的危險！
- ▶ 請在更換配件工具時也戴上防護手套。觸摸配件工具可能會造成受傷（割傷或燙傷）。
- ▶ 在開始作業前，請先針對作業時所產生粉塵之危險等級進行確認。使用符合當地粉塵防治條例，且經法定認為保護等級之工業用吸塵器。含鉛塗料、某些木材及含石英之混凝土 / 石材 / 石頭、礦物質或金屬等材料的粉塵均可能對身體有害。
- ▶ 請確保工作場所所有良好通風，必要時，請依會產生的粉塵類型配戴適合的口罩。操作人員與旁觀者接觸或吸入粉塵可能會引起過敏並 / 或造成呼吸系統或其他疾病。像是橡木與山毛櫸木材的粉塵已列為致癌物質，尤其是當它們使用潤濕塗料（鉻酸鹽、木材防腐劑）時。包含石棉之基材務必由專人處理。
- ▶ 請利用工作空檔時休息，並活動您的手指以促進血液循環。長時間暴露在震動下會造成手指、手掌和手腕的血管和神經系統失調。

#### 電力安全

- ▶ 開始工作前，請先檢查工作區域是否有隱藏的電纜線、瓦斯管或水管。若不小心損壞電纜線，機具外部的金屬零件可能會造成觸電。

#### 小心使用和操作機具

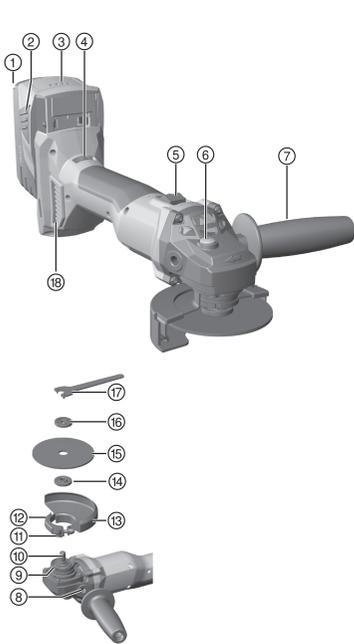
- ▶ 請勿使用切割碟片來進行研磨作業。
- ▶ 鎖緊配件和凸緣。若配件和凸緣的螺帽沒有完全鎖緊，配件可能因機具關閉後機具馬達的制動作用而在運行時從主軸鬆開。
- ▶ 請遵守製造商對研磨碟片的處理和貯放說明。

### 2.1.4 電池的使用與保養

- ▶ 請遵守適用於搬運、貯放和使用鋰電池的特殊法規和操作說明。
- ▶ 請勿讓電池暴露在高溫下，讓陽光直接照射或接觸火焰。
- ▶ 請勿拆解、擠壓或焚燒電池，且不可將電池置放在溫度超過80°C的環境中。
- ▶ 請勿使用或充電受到機構性衝擊、從高處摔落或有損壞跡象之電池。在此情況下，務必聯絡Hilti維修中心。
- ▶ 若電池溫度過高無法觸摸，表示電池可能已經毀損。此時，可將產品置於可隨時觀察並靜置冷卻的非易燃位置，同時遠離易燃物質。在此情況下，務必聯絡Hilti維修中心。



#### 3.1 產品總覽



- ① 電池
- ② 電池拆卸鈕
- ③ 充電狀態指示燈
- ④ 速度調節
- ⑤ On/Off開關
- ⑥ 主軸鎖定開關
- ⑦ 側向握把
- ⑧ 側向握把的螺紋套管
- ⑨ 鍵齒定位片
- ⑩ 主軸
- ⑪ 調整螺絲
- ⑫ 夾緊機桿
- ⑬ 標準防護套
- ⑭ 夾緊凸緣
- ⑮ 研磨切割碟片 / 研磨碟片
- ⑯ 螺帽
- ⑰ 鑽針扳手
- ⑱ 粉塵過濾器

#### 3.2 用途

本文所述產品為手持充電式角磨機。本機具專為切割與研磨金屬及礦材而設計，也可以用於刷洗、磨砂和砂紙作業，而且皆不需使用水。機具僅能為乾燥研磨 / 切割使用。

- 機具裝備對應的防護套（選配）時，才能用於切割、切縫或研磨礦材的工作。
- 在混凝土或石材等礦材上工作時必須搭配除塵防護罩與適合的Hilti真空吸塵器。
- ▶ 本產品限使用B 22系列Hilti鋰電池。
- ▶ 以上電池限使用C4/36系列Hilti電池充電器。

#### 3.3 配備及數量

角磨機、側向握把、標準防護套、前蓋、夾緊凸緣、螺帽、鑽針扳手、粉塵過濾、操作說明。

關於本產品，您可於當地Hilti Store或網站查詢其他經過認證可搭配使用的系統產品：[www.hilti.group](http://www.hilti.group)。

#### 3.4 主動扭力控制 (ATC)

本機具有主動扭力控制 (ATC, Active Torque Control) 系統。

若配件工具卡住或空轉時，機具會突然朝自身軸的反方向轉動。ATC會偵測到機具突然旋轉的動作，並且立刻關閉機具。



為了讓ATC可以正常運作，機具本身不能旋轉。  
在ATC斷電後，請關閉機具再開啟。

#### 3.5 馬達過熱保護

變溫馬達保護系統可監控電流輸入及馬達溫度，以避免機具過熱。

如果馬達壓力過載，機具效能便會明顯下降或完全停住。



如果機具空轉或是因過載造成轉速大幅降低，請鬆開所施加的壓力，讓它在無負載下運轉約30秒。

### 3.6 防護套前蓋

當在金屬作業中以直線研磨碟片研磨，及以切割碟片切割時，請使用前蓋的標準防護套。

### 3.7 DG-EX 100/4"研磨用集塵罩 (配件)

本研磨系統僅適合於研磨礦材時偶而搭配鑽石杯輪使用。  
不可將此防護套用於金屬相關作業。

### 3.8 鋰電池充電狀態顯示

按下兩個電池拆卸鈕的其中一個後，將會顯示鋰電池的充電狀態。

狀態	意義
4個LED亮起。	充電狀態：75 %至100 %
3個LED亮起。	充電狀態：50 %至75 %
2個LED亮起。	充電狀態：25 %至50 %
1個LED亮起。	充電狀態：10 %至25 %
1個LED閃爍。	充電狀態：< 10 %



當機具正在操作或剛操作後無法讀取其電池充電狀態。若電池充電狀態LED燈閃爍，請參閱故障排除一節所提供的資訊。

## 4 耗材

僅可使用經核可轉速至少為11500 rpm且圓周速度為80 m/s，最大直徑為 Ø 100 mm的合成樹脂強化纖維研磨碟片及最大直徑為 Ø 104.9 mm的合成樹脂強化纖維切割碟片。

最大允許研磨碟片厚度為6.4 mm，最大切割碟片厚度為2.5 mm。

**注意！**使用研磨切割碟片進行切割或切縫時，必須安裝額外前蓋的標準防護套或是完全覆蓋的集塵罩。

碟片

型號	實務應用	名稱	施作基材
研磨切割碟片	切割、切縫	AC-D	金屬
鑽石切割碟片	切割、切縫	DC-TP, DC-D (SPX, SP, P)	礦材
研磨碟片	粗調研磨	AG-D, AF-D, AN-D	金屬
鑽石研磨碟片	粗調研磨	DG-CW (SPX, SP, P)	礦材
鐵刷	鐵刷	3CS, 4CS, 3SS, 4SS	金屬
研磨樹脂纖維碟片	粗調研磨	AP-D	金屬

適合裝備使用的碟片

項目名	設備	AC-D	AG-D、AF-D、AN-D	DG-CW (SPX、SP、P)	DC-TP、DC-D (SPX、SP、P)	AP-D	3CS、4CS、3SS、4SS、DD-M14
A	防護套	X	X	X	X	X	X
B	前蓋 (搭配A)	X	—	—	X	—	—
C	集塵罩 (研磨) DG-EX 100/4"	—	—	X	—	—	—
D	側向握把	X	X	X	X	X	X
E	螺帽	X	X	X	X	—	—
F	夾緊凸緣	X	X	X	X	—	—



項目名	設備	AC-D	AG-D、 AF-D、 AN-D	DG- CW (SPX、 SP、 P)	DC-TP、 DC- D (SPX、 SP、 P)	AP-D	3CS、 4CS、 3SS、 4SS、 DD-M14
G	研磨樹脂纖維碟片的螺帽	—	—	—	—	X	—
H	支撐盤	—	—	—	—	X	—

## 5 技術資料 ()

主軸長度	16 mm
操作時的環境溫度	-17 °C ... 60 °C
貯放溫度	-20 °C ... 70 °C

### 5.1 技術資料 ()

	AG 4S-A22-100
額定電壓	21.6 V
額定速率	8,500 rpm
最大碟片直徑	104.9 mm
重量 (依據EPTA程序01)	3.0 kg
起子軸螺紋	M10
主軸長度	16 mm
操作時的環境溫度	-17 °C ... 60 °C
貯放溫度	-20 °C ... 70 °C

### 5.2 電池

電池操作電壓	21.6 V
操作時的環境溫度	-17 °C ... 60 °C
貯放溫度	-20 °C ... 40 °C
電池充電啟動溫度	-10 °C ... 45 °C

### 5.3 噪音資訊和震動值量測標準依據EN 60745

操作說明中所提供之音壓和震動值已參照標準測量，並可用來比較不同機具之噪音。它們也可作為噪音量的初步評估。

提供之資料表示機具主要應用時之數值。若電子機具應用於不同之用途，搭配不同的配件工具或在保養不良的情況下，其數據可能有所不同。在作業過程中，這有可能大幅提高其噪音量。

當機具關閉，或開啟但未進行任何作業時也應列入考量，才能準確評估噪音量。如此一來，作業過程中的總噪音量將大幅降低。

確認其他安全措施，以保護操作員不受噪音和 / 或震動影響，例如：保養機具與其配件工具、操作前保持雙手溫暖、作業型式之安排等。

#### AG 4S-A22-100

##### 噪音資訊

釋放的音壓級數 ( $L_{pA}$ )	81.5 dB(A)
無法判定的音壓級數 ( $K_{pA}$ )	3 dB(A)
聲功率級數 ( $L_{WA}$ )	92.5 dB(A)
無法判定的聲功率級數 ( $K_{WA}$ )	3 dB(A)

##### 震動資訊

如切割等其他用途可能會產生不同於這些指定值的震動值。



使用減震側向握把進行表面研磨 (a <sub>h, AG</sub> )	1.1 m/s <sup>2</sup>
使用減震側向握把進行砂紙磨砂 (a <sub>h, DS</sub> )	3.7 m/s <sup>2</sup>
無法判定 (K)	1.5 m/s <sup>2</sup>

## 6 使用前注意事項

### 6.1 為電池充電

1. 電池充電前，請閱讀充電器的操作手冊。
2. 確認電池的接點和充電器的接點清潔且乾燥。
3. 請使用經認可的充電器對電池充電。

### 6.2 置入電池

#### 注意

有受傷的危險 因短路或電池掉落！

- ▶ 置入電池前，請確認電池的接點及產品的接點上無任何異物。
- ▶ 確認電池已確實咬合。

1. 初次使用前，請將電池完全充電。
2. 將電池裝入電池托盤，直到聽見咬合時發出的喀啦聲。
3. 請檢查電池是否安裝牢固。

### 6.3 卸下電池

1. 按下電池拆卸鈕。
2. 請將電池自充電器卸下。

### 6.4 安裝側向握把

- ▶ 將側向握把旋轉至有螺紋套管的位置。

### 6.5 安裝及卸下防護套

#### 注意

有受傷的危險！配件可能會非常燙或是有尖銳的邊緣。

- ▶ 安裝、卸下或調整配件或其他零件，以及排除故障時，請穿戴手套。
- ▶ 請遵守操作說明安裝適用的防護套。

#### 6.5.1 安裝標準防護套



防護套設有鍵齒，確保只有產品適用的防護套類型可安裝上去。鍵齒定位片也可以避免防護套接觸工具。

1. 卸下電池。→ 頁次 53
2. 打開夾緊機桿。
3. 將防護套安裝在軸心圈上，如此一來鍵齒定位片會咬合在其中的凹洞上。
4. 將防護套旋轉至所要的位置。
5. 關閉夾緊機桿以穩固防護套。



保護套已藉由調整螺絲預先設定在正確的夾緊直徑。如果防護套安裝之後感覺過鬆，可使用調整螺絲讓夾緊力道些微增加。

#### 6.5.2 調整標準防護套

1. 卸下電池。→ 頁次 53
2. 鬆開夾緊機桿。
3. 將防護套旋轉至所要的位置。
4. 關閉夾緊機桿以穩固防護套。



### 6.5.3 卸下標準防護套

1. 鬆開夾緊機桿。
2. 轉動防護套，直到鍵齒定位片與鍵齒定位溝對齊再將防護套拆下。

## 6.6 安裝或卸下前蓋



前蓋使用時夾在保護套上。

1. 將前蓋置於標準防護套封閉端的位置然後推入，直到咬合為止。
2. 若要取下前蓋，先鬆開前蓋扣鉤然後拉起前蓋，使其脫離標準防護套。

## 6.7 安裝及卸下配件工具

### 警告

有受傷的危險！可能因為馬達的制動作用而造成配件鬆開。

- ▶ 應先等待配件完全停止，才能接觸或握住配件或螺帽。
- ▶ 確實鎖緊夾緊凸緣或螺帽以固定配件，如此一來零件就不會因馬達的制動作用而從主軸鬆開。

### 注意

有受傷的危險！配件可能變得很熱。

- ▶ 請在更換配件時戴上防護手套。



如果鑽石切割碟片的切割或研磨效果已大幅下降時，請務必更換碟片。在這種情況下，節段厚度可能已小於2 mm。

如果其他碟片的切割效果已大幅下降，或是角磨機的其他部位會在工作時接觸到施作基材時，請務必更換碟片。

如果已達到保存期限時，必須更換研磨碟片。

### 6.7.1 安裝配件工具

1. 卸下電池。→ 頁次 53
2. 清潔凸緣和螺帽。
3. 將夾緊凸緣安裝至起子軸。
4. 安裝配件工具。
5. 依照安裝的配件工具類型將螺帽旋上。
6. 按下主軸鎖定開關，並按住不動。
7. 使用鑽針扳手穩固地旋緊夾具螺帽，然後鬆開主軸鎖定開關並取下扳手。

### 6.7.2 卸下配件工具

1. 卸下電池。→ 頁次 53

### 注意

破損和無法修復的危險。如果在主軸旋轉時按下主軸鎖定開關，配件工具會從機具上分離。

- ▶ 當主軸停止旋轉後，才可以按下主軸鎖定開關。
2. 按下主軸鎖定開關，並按住不動。
  3. 使用扳手以逆時針方向旋轉螺帽，將螺帽鬆開。
  4. 鬆開起子軸鎖定按鈕並卸下配件工具。

### 6.7.3 安裝鐵刷

1. 卸下電池。→ 頁次 53
2. 安裝側向握把。→ 頁次 53
3. 安裝標準防護套。
4. 將鐵刷固定並以手鎖緊。
5. 按住主軸鎖定開關。
6. 使用適合的六角開口扳手鎖緊鐵刷。
7. 然後鬆開主軸鎖定開關並卸下六角開口扳手。



## 6.7.4 安裝研磨樹脂纖維碟片

1. 卸下電池。→ 頁次 53
2. 安裝側向握把。→ 頁次 53
3. 安裝標準防護套。
4. 將支撐盤與研磨樹脂纖維碟片裝上，並旋轉螺帽，將之鎖緊。
5. 按下主軸鎖定開關，並按住不動。
6. 使用鑽針扳手鎖緊螺帽。
7. 鬆開主軸鎖定開關並卸下鑽針扳手。

## 7 操作

### 7.1 開啟開關

1. 按下On/Off開關的後段。
2. 將On/Off開關往前推。
  - ↳ 馬達轉動。
3. 鎖住On/Off開關。

### 7.2 研磨

#### 注意

有受傷的危險！配件可能會停住或失速。

- ▶ 隨時以雙手握緊安裝在電動機具上的側向握把。

### 7.3 切割

- ▶ 切割時，應施用適當壓力且不得將機具或是切割碟片傾斜（工作時，請固定在切割表面約90°）。



切割剖面或方形管時為得到最好的效果，先從最小截面積開始切割。

### 7.4 粗調研磨

#### 注意

有受傷的危險！研磨切割碟片可能會碎裂，飛出的碎片可能會導致受傷。

- ▶ 請勿使用研磨切割碟片來進行研磨作業。
- ▶ 施用適當壓力，保持5°到30°的施力角度來回移動機具。
  - ↳ 這將會避免工件過熱及變色，且有助於保持表面加工平均。

### 7.5 關閉開關

- ▶ 按下On/Off開關的後段。
  - ↳ On/Off開關會跳到關閉位置且馬達會停止。

## 8 維護和保養

#### 警告

電池裝入時有受傷的危險！

- ▶ 進行維護及保養前，請務必卸下電池！

#### 機具維護及保養

- 小心地清除可能附著在零件上的灰塵。
- 拆下粉塵過濾器並清潔，並使用乾燥的刷子小心清潔通風口。
- 僅能使用微濕軟布清潔外殼。勿使用含硅樹脂的清潔或亮光劑，因為可能會造成塑膠零件損壞。

#### 鋰電池的保養

- 避免電池沾上油脂。
- 只能使用微濕軟布清潔外殼。勿使用含硅樹脂的清潔或亮光劑，因為可能會造成塑膠零件損壞。



- 避免濕氣進入。

#### 維護

- 定期檢查外部零件和控制元件有無損壞跡象，並確認它們運作正常。
- 如果有損壞跡象或任何零件功能故障，請不要操作本產品。請將產品立刻交付Hilti維修中心進行維修。
- 清潔及保養後，裝上所有防護套或保護裝置並檢查功能是否正常。



為確保操作的安全及可靠性，請務必使用原廠Hilti備件與耗材。您可以在Hilti Store或網站：選購Hilti認可的備件、耗材和配件。[www.hilti.group](http://www.hilti.group)。

## 9 充電式機具的搬運與貯放

### 搬運



**注意**

#### 搬運時意外啟動！

- ▶ 搬運產品時務必卸下電池！
- ▶ 卸下電池。
- ▶ 切勿以堆疊（分散，未受到保護）的方式運送電池。
- ▶ 長途搬運後，在使用前請檢查機具與電池是否有損壞。

### 設備的貯放



**注意**

#### 電池故障或漏液造成的意外損害！

- ▶ 儲存產品時務必將電池卸下！
- ▶ 請儘可能將機具與電池貯放於陰涼乾燥處。
- ▶ 請勿將電池貯放於日光直射處、加熱裝置旁或窗台上。
- ▶ 請將機具與電池貯放在乾燥且兒童或未授權的人員無法觸及的地點。
- ▶ 長時間貯放後，在使用前請檢查機具與電池是否有損壞。

## 10 故障排除

若您遇到未列出的問題或是無法自行排除的問題，請聯絡Hilti維修中心。

### 10.1 故障排除

故障	可能原因	解決方法
本電池較一般電池壽命短。	周遭環境溫度極低。	▶ 將電池放在室溫下緩慢升溫。
電池咬合時不會發出兩聲喀啞聲。	電池上的卡榫太髒。	▶ 清潔卡榫並重新安裝電池。
1個LED閃爍。 設備無法工作。	電池電量不足。	▶ 更換電池，並對無電量的電池再次充電。
	該電池過熱或過冷。	▶ 將電池放在室溫下緩慢降溫或升溫。
4個LED均閃爍。 設備無法工作。	機具已過載。	▶ 鬆開控制開關，接著再按一次。然後讓機具在無負載的情況下運轉約30秒。
角磨機變得很燙。	電力故障	▶ 立即將電動機具關閉，卸下電池，將機具置於可隨時觀察的位置，讓它靜置冷卻並聯絡Hilti維修中心。
機具無法達到全功率。	電池容量不足。	▶ 使用仍有適當容量的電池。
馬達沒有制動作用。	電池電量不足。	▶ 更換電池，並對無電量的電池再次充電。
	機具短暫過載。	▶ 關閉機具後再開啟。



## 11 RoHS (有害物質限制指令)

---

按一下本連結可前往危險物質表：[qr.hilti.com/r9884540](http://qr.hilti.com/r9884540)。  
您可在文件最後找到QR碼格式的RoHS表連結。

## 12 廢棄設備處置

---

 Hilti機具或設備所採用的材料大部分均可回收再利用。材料在回收前必須正確地分類。在許多國家中，您可以將舊機具及設備送回Hilti進行回收。詳情請洽Hilti維修中心，或當地Hilti代理商。

### 電池處置

不當處理電池會造成有害健康之氣體或液體。

- ▶ 請勿以郵寄方式寄送電池！
- ▶ 將電池端子蓋上不導電物質（例如絕緣膠帶）以避免短路。
- ▶ 請將電池棄置於兒童無法觸及的地方。
- ▶ 請將該電池送交Hilti Store處理，或參考所在地的垃圾處理管轄機構或公共健康與安全機關之處理說明。



- ▶ 請勿將機具、電子設備或電池當作一般家用廢棄物處理！
- 

## 13 製造商保固

---

- ▶ 如果您對於保固條件有任何問題，請聯絡當地Hilti代理商。



# 1 文档信息

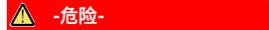
## 1.1 关于该文档

- 首次操作或使用前，请先阅读本文档。这是安全、无故障地操作和使用产品的前提条件。
- 请遵守本文档中以及产品上的安全说明和警告。
- 请务必将本操作说明与本产品保存在一起，确保将操作说明随产品一起交给他人。

## 1.2 使用符号的说明

### 1.2.1 警告

警告是为了提醒您在使用此产品时会发生的危险。使用以下信号词：



**危险！**

- ▶ 用于让人们能够注意到会导致严重身体伤害或致命的迫近危险。



**警告！**

- ▶ 用于提醒人们注意可能导致严重或致命伤害的潜在危险。



**小心！**

- ▶ 用于提醒人们注意可能导致轻微人身伤害、设备损坏或其他财产损失的潜在危险情形。

### 1.2.2 文档中的符号

本文档中使用下列符号：

	请在使用之前阅读操作说明。
	使用说明和其他有用信息
	处理可回收材料
	不得将电气设备和电池作为生活垃圾处置

### 1.2.3 图示中的符号

图示中使用了下列符号：

	这些编号指本操作说明开始处的相应图示。
	图示中的编号反映操作顺序，可能与文本中描述的步骤不同。
	概览图示中使用了项目参考号，该参考号指的是产品概览部分中使用的编号。
	这些符号旨在提醒您在操作本产品时要特别注意的某些要点。

## 1.3 取决于产品的符号

### 1.3.1 产品上的符号

产品上使用下列符号：

	戴上护目装置
n	额定转速
/min	每分钟转数



RPM	每分钟转数
$\varnothing$	直径
— — —	直流电 (DC)
	本产品支持无线数据传输，兼容 iOS 和 Android 平台。
Li-Ion	锂离子电池
	使用 Hilti 锂离子电池类型系列。请遵守 <b>预期用途</b> 一章中所述的信息。
	切勿将电池用作敲击工具。
	请勿让电池掉落。切勿使用受到撞击或有任何损坏的电池。

## 1.4 产品信息

**HILTI** 产品经设计适用于专业用户，只有经过专门训练的授权人员才允许操作、维修和维护本产品。必须将任何可能的危险专门告知该人员。不按照既定用途使用或由未经培训的人员不正确地使用本产品及其辅助设备可能会带来危险。

型号名称和序列号印在铭牌上。

- ▶ 在下表中填写序列号。在联系 Hilti 维修中心或当地 Hilti 机构询问产品时，将要求您提供产品的详细信息。

### 产品信息

角磨机	AG 4S-A22
分代号	01
序列号	

## 1.5 符合性声明

按照我们单方面的责任，我们声明本产品符合下列适用指令和标准：一致性声明副本位于本文档结尾处。技术文档在此处归档：

Hilti Entwicklungsgesellschaft mbH | Tool Certification | Hiltistrasse 6 | 86916 Kaufering, Germany

## 2 安全

### 2.1 安全说明

#### 2.1.1 一般电动工具安全警告

**警告** 请阅读本电动工具随附的所有安全警告、说明、图示和技术规范。不遵守下列所有操作说明可能会导致电击、火灾和/或严重人身伤害。

请保存所有安全警告和操作说明，以供将来参考。

在所有下列的警告中术语“电动工具”指市电驱动(有线)电动工具或电池驱动(无线)电动工具。

#### 工作区域安全

- ▶ 保持工作区域清洁和良好照明。杂乱和黑暗的区域容易导致事故。
- ▶ 不要在爆炸性环境中操作电动工具，例如有易燃液体、气体或灰尘。电动工具会产生可以点燃这些灰尘或烟雾的火花。
- ▶ 在操作电动工具时，要令儿童和旁观者远离工作现场。万一分心，可能会使您失去对电动工具的控制。

#### 电气安全

- ▶ 电动工具(设备)插头必须匹配电源插座。切勿以任何方式改动插头。对于接地的电动工具(设备)，不要使用任何适配器插头。使用未经改动的插头和匹配的电源插座可以大大减少电击危险。
- ▶ 避免人体接触接地表面，如管道、散热片和冰箱。如果您的身体接地，则会增加电击危险。
- ▶ 不要将电动工具暴露在雨水或潮湿环境中。电动工具进水将会增加电击危险。
- ▶ 不要滥用电缆。切勿使用电缆运送、拉动或拔出电动工具。保持电缆远离高温、油、锋利边缘或运动部件。电缆损坏或缠绕会增加电击危险。



2223269

中文

59

- ▶ 当在户外操作电动工具时，应使用经认可适合户外操作的加长电缆。使用适合户外使用的电缆可减少电击危险。
- ▶ 如果在潮湿环境下操作电动工具是不可避免的，应使用剩余电流动作保护器 (RCD)。使用 RCD 可减小电击危险。

### 人身安全

- ▶ 保持警觉，注意您正在进行的工作，并在操作电动工具的过程中，应利用自己的判断能力。当您疲劳或受到药物、酒精或医疗影响时，请不要使用电动工具。当操作电动工具时，瞬间的分心都可能导致严重的人身伤害。
- ▶ 使用个人防护装备。一定要戴上护目装置。安全装置，诸如适当条件下使用防尘面具、防滑安全鞋、安全帽、听力防护等装置能减少人身伤害。
- ▶ 防止电动工具意外启动。在连接至电源和/或电池组、拿起或搬运电动工具之前，应确保开关处于“关闭”位置。将手指放在开关上搬运电动工具或在开关处于“打开”位置时接通电源，都可能会导致事故发生。
- ▶ 在打开电动工具之前，必须拿掉任何调整键或扳手。让扳手或调整键留在电动工具的旋转部件上可能会导致人身伤害。
- ▶ 不要操之过急。应时刻保持正确的站姿和平衡。这在意外情况下能够更好地控制电动工具。
- ▶ 应确保正确着装。不要穿着松垮的衣服或佩戴首饰。让头发和衣服远离运动部件。松垮的衣服、首饰或长发会卡在运动部件中。
- ▶ 如果提供有用于连接除尘和集尘设施的装置，应确保将它们连接好并正确使用。使用除尘装置可以减少与灰尘相关的危险。
- ▶ 经常使用工具能令您获得较高的熟练度，但不能因此掉以轻心和忽视工具安全准则。一次不慎操作就会在瞬间导致重伤。

### 电动工具的使用和维护

- ▶ 不要强制使用电动工具。针对您的应用场合使用正确的电动工具。正确的电动工具在其额定设计值范围内将能够更好和更安全地工作。
- ▶ 如果通过开关不能使其打开和关闭，则请不要使用电动工具。任何不能通过开关进行控制的电动工具都是危险的，必须对其进行修理。
- ▶ 在进行任何调整、更换配件或存放电动工具之前，应从电源上断开插头和/或从电动工具上拆下电池组（若可拆卸）。此预防性安全措施可减少意外启动电动工具的危险。
- ▶ 将不用的电动工具存放在儿童拿不到的地方，并且不要让不熟悉电动工具或其操作说明的人员操作电动工具。未经培训的用户操作电动工具是危险的。
- ▶ 维护电动工具和配件。检查是否存在运动部件失调或卡滞、部件断裂和任何其它影响电动工具操作的情况。如果存在损坏，则在使用之前应修理电动工具。许多事故都是由于电动工具维护不良造成的。
- ▶ 保持切削工具锋利和清洁。带锋利切削刃的切削工具如果维护得当，很少会发生卡滞且更容易控制。
- ▶ 按照使用说明书，考虑作业条件和进行的作业来使用电动工具、附件和工具的刀头等。将电动工具用于指定用途以外的场合会导致危险。
- ▶ 使手柄和抓握面保持干燥、清洁且没有油脂。如果手柄和抓握面打滑，将无法在意外情况下安全操作或控制本工具。

### 无绳（电池操作）工具/设备的使用和维护

- ▶ 充电时只能使用制造商指定的充电器。适合某种类型电池组的充电器如果被用于为另一类型电池组充电，则可能会带来火灾危险。
- ▶ 只能使用专用电池组为电动工具供电。使用任何其它电池组可能会带来人身伤害和火灾。
- ▶ 当电池组不用时，应使其远离其它金属物体，例如纸夹、硬币、钥匙、钉子、螺钉或其它小的金属物体，以免造成短路。如果电池端子被短路，则会造成人员烧伤或火灾。
- ▶ 如果持续滥用电池，则可能会造成液体从电池中喷射出来；注意避免接触到液体。如果意外接触到液体，应用水冲洗。如果液体接触眼睛，除了用大量清水冲洗外，还应立即就医。从电池中喷射出来的液体会导致疼痛或灼伤。
- ▶ 不要使用损坏或改装过的电池组或工具。损坏或改装过的电池会造成不可预测的情形，导致火灾、爆炸或受伤风险。
- ▶ 不要将电池组或工具暴露在明火或过高的温度中。暴露在明火或超过 130 °C (265 °F) 温度中可能导致爆炸。
- ▶ 遵守所有充电说明，且不要在使用说明规定的温度范围之外对电池组或工具充电。充电不正确或在规定温度范围之外充电会损坏电池并增加火灾风险。

### 保养

- ▶ 将您的电动工具送交专业维修人员，使用同样的备件进行修理。这样才可确保维持电动工具（设备）的安全性。
- ▶ 切勿擅自维修损坏的电池组。仅可由制造商或授权服务提供商执行电池组的维修。



## 2.1.2 有关磨削、砂磨、钢丝刷光、抛光或研磨切断操作的通用安全警告：

- ▶ 本电动工具专门用于磨削、砂磨、钢丝刷光和切削工作。请阅读本电动工具随附的所有安全警告、说明、图示和技术规范。不遵守下列所有操作说明可能会导致电击、火灾和/或严重人身伤害。
- ▶ 不建议使用本电动工具执行抛光等操作。使用电动工具执行规定以外的操作可能会引发危险并造成人身伤害。
- ▶ 不要使用并非由工具制造商专门设计和推荐的配件。因为即使这类配件可以安装在电动工具上，也不能确保安全操作。
- ▶ 配件的额定转速至少必须等于电动工具上标记的最大转速。如果配件旋转快于其额定转速，则可能会导致其断裂和飞离电动工具。
- ▶ 配件的外径和厚度必须在电动工具的额定能力范围内。尺寸不正确的配件不利于进行有效防护或控制。
- ▶ 配件的螺纹座与研磨机主轴的螺纹必须匹配。对于通过法兰安装的配件，配件的心轴孔与法兰的定位直径必须匹配。与电动工具的安装硬件不匹配的配件将失去平衡、过度振动并且可能导致失控。
- ▶ 不得使用已损坏的配件。在每次使用前，应检查配件，例如检查磨盘是否碎裂或有裂纹，背垫是否有裂纹、撕裂或过度磨损，以及钢丝刷是否松动或钢丝是否开裂。如果电动工具或配件掉落，则应检查其是否存在损坏或安装未损坏的配件。在检查并安装配件后，让自己和旁观者都远离配件旋转平面，并令电动工具在最大转速下空载运行一分钟。在此测试期间，已损坏的配件将会正常破裂。
- ▶ 穿戴个人防护装备。根据应用场合，使用防护面罩、护目镜或安全眼镜。必要时，穿戴防尘面具、护耳装置、防护手套和车间工作围裙（避免受到微小研磨或加工工件碎片的侵害）。护目装置必须在各种操作下都能防止产生的飞离碎片伤害到眼睛。防尘面具或呼吸器必须能够过滤掉操作过程中产生的灰尘颗粒。长期处于高强度噪音下可能会导致听力丧失，因此在这种情况下必须佩戴护耳装置。
- ▶ 确保旁观者处于远离工作区域的安全位置。进入工作区域的任何人都必须穿戴个人防护装备。工件的碎片或损坏的配件可能会飞出，并可能对操作区域附近人员造成人身伤害。
- ▶ 执行切削工具可能接触到隐藏的线束的操作时，仅通过绝缘的抓取面握住电动工具。接触到“带电”导线也会使电动工具的裸露金属部分“带电”，从而可能使操作者受到电击。
- ▶ 远离旋转的配件放置电缆。否则如果万一失去控制，则电缆可能会被切断或缠上旋转配件，且您的手或手臂可能会因此被卷入旋转配件中。
- ▶ 在配件完全停止之前，切勿放下电动工具。否则旋转配件可能会攫取放置表面，从而使电动工具失去控制。
- ▶ 随身携带电动工具时，不要运行电动工具。否则如果发生意外接触，旋转配件会抓取您的衣物，从而造成不必要的人身伤害。
- ▶ 定期清洁电动工具的通风口。电机风扇会吸附壳体内的灰尘，如果粉状金属过度积聚，则可能会导致电气危险。
- ▶ 不要在易燃材料附近操作电动工具。否则产生的火花可能会引燃这些物质。
- ▶ 不要使用需要液态冷却剂的配件。使用水或其它液态冷却剂可能会导致电击或触电死亡。

### 反冲及相关警告

反冲是旋转中的圆盘、背垫、刷子或任何其它配件被压紧或受到阻碍时的突然反作用力。压紧或阻碍作用会导致旋转配件突然停止转动，这反过来会对电动工具产生作用力，导致电动工具沿着与阻碍点处配件旋转相反的方向发生不受控制地移动。

例如，当磨盘被加工件阻挡或挤压住时，进入挤压点的磨盘边缘会掘进材料的表面，从而导致磨盘跳动或弹出。磨盘可能会跳离或跳向操作者，这取决于磨盘在阻碍点处的运动方向。在这些情况下磨盘还可能发生断裂。

电动工具使用不当和/或操作程序或条件不正确都可能会导致反冲，反冲可以通过采取以下预防措施加以避免。

- ▶ 保持牢牢握住电动工具，并将身体和手臂置于可方便对抗反冲力的位置。应始终使用辅助手柄（若配备），以便最大限度地控制住起动时的反冲力或反作用扭矩。如果采取了适当的预防措施，则操作者完全可以控制住反冲力或反作用扭矩。
- ▶ 切勿将手置于旋转的配件附近。否则配件可能会打伤您的手。
- ▶ 不要将身体置于发生反冲时电动工具的运动范围内。在旋转圆盘受到阻碍时，反冲力将会导致电动工具沿着与阻碍点处圆盘旋转相反的方向发生不受控制地移动。
- ▶ 在拐角、锋利边缘等位置工作时应特别小心。避免使配件弹起和受到阻碍。拐角、锋利边缘或弹起都有可能使旋转配件受到阻碍，从而引起失控或产生反冲。
- ▶ 不要附加安装锯齿木刻锯条或带齿锯条。这类锯条容易引起频繁的反冲和失控。

### 有关磨削和研磨切削操作的特定安全警告：

- ▶ 请仅使用推荐用于您的电动工具的磨轮类型以及设计用于所选磨轮的专用防护装置。非专门为本电动工具设计的圆盘不利于进行有效防护，而且是不安全的。
- ▶ 中央凹陷磨轮的磨削表面必须安装在防护唇平面的下方。穿过防护唇平面伸出的安装不当的磨轮无法受到充分保护。



- ▶ 防护装置必须牢固地安装在电动工具上，其位置应确保最大安全性，以使磨轮最大限度地暴露给操作者。防护装置有助于保护操作者免受破裂的磨轮碎片的伤害，以及避免意外接触到磨轮和可能引燃衣服的花火。
- ▶ 圆盘只能用于推荐的用途。例如：不得用切削盘的侧面进行磨削。研磨切削盘专门用于圆周磨削，如果对其施加侧向力，则可能会导致其发生损坏。
- ▶ 请务必对所选磨轮使用尺寸和形状都正确且未损坏的磨轮轮缘。使用正确的圆盘法兰支撑圆盘有助于降低圆盘破裂的可能性。切削盘的法兰与磨削盘的法兰可能有所不同。
- ▶ 不要使用更大型电动工具上已磨损的磨轮。专门用于较大型电动工具的圆盘不适合用于转速更高的较小型电动工具，否则可能会发生爆裂。

#### 有关研磨切断操作的特定附加安全警告：

- ▶ 注意不要“卡住”切削盘或对其施加过大的压力。切削深度不得过大。如果切削时对圆盘施加的压力过大，则会增加圆盘的负载，令其容易发生扭转或卡滞，并增加发生反冲或圆盘损坏的可能性。
- ▶ 不要使身体与旋转的切断轮成一条直线或位于其后。否则，如果在圆盘远离您身体旋转的某个圆周点处发生反冲，则反冲力将会推动旋转圆盘和电动工具撞向您，从而可能造成伤害。
- ▶ 当圆盘卡滞或当出于某种原因中断切削时，应关闭电动工具并静止握住电动工具直到圆盘完全停止转动。当圆盘在运动时，切勿将切削盘移离加工件，否则可能会发生反冲。查找并采取正确的纠正措施消除引起圆盘卡滞的原因。
- ▶ 不得在切削盘处于加工件中时重新启动切削操作。让圆盘达到全速，然后小心地重新切入加工件。如果在圆盘处于加工件中时将电动工具重新启动，则圆盘可能会发生卡滞、跳动或产生反冲。
- ▶ 支撑住面板或任何尺寸过大的工件，以将切断轮受到阻碍和发生反冲的风险降至最低。大型加工件在其自身重量下有下垂的趋势。必须在切削线附近以及在圆盘两侧加工件边缘附近对加工件进行支撑。
- ▶ 对现有的墙壁或其它盲区加工“型腔切口”时应极度小心。伸出的圆盘可能会切到煤气管、水管、电线以及会引起反冲的物体。

#### 有关砂磨操作的特定安全警告：

- ▶ 不得使用尺寸过大的砂纸盘。当选择砂纸时，应遵照制造商的建议。较大的砂纸容易伸出沙磨盘，存在削切危害，因而可能会引起绞结、撕裂砂纸盘或导致反冲。

#### 有关钢丝刷光操作的特定安全警告：

- ▶ 即使在一般操作期间也要注意不要被刷子甩出的钢丝刚毛打到。不得对刷子施加过大负载，以免钢丝受力过大。钢丝刚毛容易刺入单薄衣物和/或皮肤。
- ▶ 如果建议在执行钢丝刷光操作时使用防护装置，不要使防护装置对钢丝盘或钢丝刷造成任何干扰。由于工作负载和离心力，钢丝盘或钢丝刷可能会沿直径方向扩展。

### 2.1.3 附加的安全说明

#### 人身安全

- ▶ 请仅在产品处于完美运转状态的情况下使用它。
- ▶ 不得以任何方式篡改或改动本工具。
- ▶ 避免接触旋转零件 - 人身伤害的危险！
- ▶ 更换配套工具时，戴上防护手套。触摸配套工具会带来伤害风险（割伤或烫伤）。
- ▶ 在开始工作之前，应测定工作时会产生的粉尘的危险等级。使用具有官方认可防护等级的工业真空吸尘器，并遵守当地适用的粉尘防护规定。一些材料产生的粉尘（例如含铅油漆、某些类型的木材以及含有石英、矿物或金属的混凝土/砖石/石块）可能对人体健康有害。
- ▶ 确保工作场所通风良好，必要时佩戴适用于产生的灰尘类型的呼吸器。接触或吸入这些粉尘可能会导致操作者或旁观者出现过敏性反应和/或呼吸类疾病。某些种类的灰尘还属于致癌物质，例如橡木和山毛榉木灰尘，特别是在带木材调节添加剂（铬酸盐、木材防腐剂）时。含石棉的材料只能由专业人员进行处理。
- ▶ 工作间隙抽时间休息并做体育锻炼，改善手指的血液循环状况。工作期间长时间暴露于振动环境中可能导致手指、手掌和手腕部位血管和神经系统紊乱。

#### 电气安全

- ▶ 开始工作之前，检查工作区域是否有隐蔽的电缆或天然气和水管。如果意外损坏了电缆，电动工具的外部金属件可能导致电击。

#### 小心地使用和操作电动工具

- ▶ 不得使用切削盘进行磨削。
- ▶ 牢固地拧紧配件工具和法兰。如果配件工具和法兰未牢固拧紧，则关闭后，配件工具可能因电机的制动作用而从主轴上松脱。
- ▶ 关于磨削盘的使用和存放，请遵照制造商的相关说明。

### 2.1.4 电池的使用和维护

- ▶ 遵守与锂离子电池的运输、储存和使用相关的特殊规定和适用说明。
- ▶ 不要将电池暴露在高温、直射阳光或明火环境下。



- ▶ 请勿拆开、挤压或烧毁电池，不要让它们暴露于超过 80 °C 的高温下。
- ▶ 如果电池受到过物理冲击、从高处跌落过或表现出损坏迹象，则不得使用电池或为其充电。在这种情况下，请务必联系您的 **Hilti 维修中心**。
- ▶ 如果电池发热烫手，则可能有故障。在这种情况下，将产品放在不易燃的地方，远离易燃材料，一边观察电池情况，一边等待其冷却。在这种情况下，请务必联系您的 **Hilti 维修中心**。

### 3 说明

#### 3.1 产品概述



- ① 电池
- ② 电池释放按钮
- ③ 充电状态指示灯
- ④ 速度调节
- ⑤ “打开/关闭”开关
- ⑥ 主轴锁止按钮
- ⑦ 侧面手柄
- ⑧ 侧面手柄的螺纹衬套
- ⑨ 接合的定位凸耳
- ⑩ 主轴
- ⑪ 调节螺钉
- ⑫ 夹紧杆
- ⑬ 标准防护装置
- ⑭ 夹紧法兰
- ⑮ 研磨切削盘/研磨磨削盘
- ⑯ 夹紧螺母
- ⑰ 插销扳手
- ⑱ 防尘过滤器

#### 3.2 预期用途

所述的产品为手持充电式角磨机。它设计用于切削和磨削金属和矿物材料，以及执行刷光和砂纸磨光加工，所有操作都不使用水。它仅用于干式磨削/切削。

- 只有配备相应的防护装置 (选装配件) 时，本电动工具才可用于对矿物材料进行切削、开槽和磨削。
- 对矿物材料 (例如混凝土或石材) 执行作业时，必须将除尘罩与适当的 **Hilti 真空吸尘器** 一起使用。
- ▶ 使用本产品仅限使用 **Hilti B 22** 系列锂离子电池。
- ▶ 请仅用 **Hilti C4/36** 系列电池充电器为这些电池充电。

#### 3.3 供货提供的部件：

角磨机、侧面手柄、标准防护装置、前盖、夹紧法兰、夹紧螺母、插销扳手、防尘过滤器、操作说明。经批准可以配合本产品使用的其它系统产品，可以通过您当地的 **Hilti Store** 购买或通过网址在线订购：[www.hilti.group](http://www.hilti.group)。

#### 3.4 ATC

电动工具配备 ATC (Active Torque Control) 快速电子切断装置。

若配套工具粘住或停止，则电动工具将会突然以相反的方向围绕自身轴线旋转。ATC 可探测到电动工具的突然旋转运动，并立即关闭工具。



2223269

中文

63

**i** 为了 ATC 正常工作，则电动工具必须可自由旋转。  
执行 ATC 切断后，先关闭然后再开启电动工具。

### 3.5 温度相关电动机保护

与温度有关的电机保护系统可以监控电流输入和电机温度，从而防止电动工具过热。  
如果因施加过高的工作压力而使电机过载，则电动工具的性能明显降低或可能完全停止。  
如果电动工具因过载而停止或明显减速，则释放对工具施加的压力，然后使其空载运行约 30 秒。

### 3.6 带前盖的防护装置

当在金属加工应用中使用直型磨削盘进行磨削以及使用切削盘进行切削时，请使用带前盖的标准防护装置。

### 3.7 DG-EX 100/4" 磨削用防尘罩 (配件)

该磨削系统只能偶尔与金刚石杯形砂轮一起用于磨削矿物材料。  
当对金属进行作业时，不允许使用该防护装置。

### 3.8 锂离子电池充电状态显示屏

按下两个电池释放按钮中的一个后，显示锂离子电池的充电状态。

状态	含义
4 个 LED 亮起。	充电状态：75% 至 100%
3 个 LED 亮起。	充电状态：50% 至 75%
2 个 LED 亮起。	充电状态：25% 至 50%
1 个 LED 亮起。	充电状态：10% 至 25%
1 个 LED 闪烁。	充电状态：< 10%

**i** 当电动工具在使用时或在刚使用完之后，不会指示充电状态。若电池充电状态 LED 闪烁，请参考故障排除章节中的信息。

## 4 消耗品

仅使用由合成树脂粘合的纤维增强磨削盘 (最大 Ø 为 100 mm) 和由合成树脂粘合的纤维增强切削盘 (最大 Ø 为 104.9 mm)，允许转速至少为 11500 rpm，圆周转速为 80 m/s。

最大允许磨削盘厚度为 6.4 mm，最大切削盘厚度为 2.5 mm。

**注意！**使用研磨切削盘切削或开槽时，请务必使用带附加前盖的标准防护装置，或完全封闭的防尘罩。

#### 圆盘

类型	应用场合	名称	材料
研磨切削盘	切削、开槽	AC-D	金属
金刚石切削盘	切削、开槽	DC-TP, DC-D (SPX, SP, P)	矿物
研磨磨削盘	粗磨	AG-D, AF-D, AN-D	金属
金刚石磨削盘	粗磨	DG-CW (SPX, SP, P)	矿物
钢丝刷	钢丝刷	3CS, 4CS, 3SS, 4SS	金属
树脂纤维磨盘	粗磨	AP-D	金属

#### 磨削盘对所用设备的适用性

项目	设备	AC-D	AG-D, AF-D, AN-D	DG-CW (SPX, SP, P)	DC-TP, DC-D (SPX, SP, P)	AP-D	3CS, 4CS, 3SS, 4SS, DD-M14
A	防护装置	X	X	X	X	X	X



项目	设备	AC-D	AG-D、 AF-D、 AN-D	DG-CW (SPX、 SP、P)	DC-TP、 DC-D (SPX、 SP、P)	AP-D	3CS、 4CS、 3SS、 4SS、 DD-M14
B	前盖 (与 A 搭配)	X	—	—	X	—	—
C	防尘罩 (磨削) DG-EX 100/4"	—	—	X	—	—	—
D	侧面手柄	X	X	X	X	X	X
E	夹紧螺母	X	X	X	X	—	—
F	夹紧用法兰	X	X	X	X	—	—
G	树脂纤维磨盘夹紧螺母	—	—	—	—	X	—
H	支撑板	—	—	—	—	X	—

## 5 技术数据

主轴长度	16 mm
工作环境温度	-17 °C ... 60 °C
存放温度	-20 °C ... 70 °C

### 5.1 技术数据

	AG 4S-A22-100
额定电压	21.6 V
额定转速	8,500 rpm
最大盘直径	104.9 mm
重量 (按照 EPTA 程序 01)	3.0 kg
驱动主轴螺纹	M10
主轴长度	16 mm
工作环境温度	-17 °C ... 60 °C
存放温度	-20 °C ... 70 °C

### 5.2 电池

电池工作电压	21.6 V
工作环境温度	-17 °C ... 60 °C
存放温度	-20 °C ... 40 °C
电池充电起始温度	-10 °C ... 45 °C

### 5.3 噪音信息和振动值按照 EN 60745 标准

这些说明中给出的声压和振动值按照标准化测试的要求测得，可用于比较一种电动工具与另一种电动工具。它们可用于进行初步暴露评估。

提供的数据代表本电动工具的主要应用。但是，如果将电动工具用于不同的应用、使用不同的配套工具或维护不良，则数据可能不同。这可能会显著增加操作者在整个工作期间受振动影响的程度。

对受振动影响程度的准确估计还应考虑当关闭电动工具或当它运行但实际未进行工作时情况。这可能会显著减小操作者在整个工作期间受振动影响的程度。

此外，应确定附加安全措施，以保护操作者免受噪音和/或振动影响，例如：正确维护电动工具和配套工具、保持双手温暖、合理安排工作方式。

#### AG 4S-A22-100

##### 噪音信息

排放声压级 ( $L_{pA}$ )	81.5 dB(A)
声压级的不确定性 ( $K_{pA}$ )	3 dB(A)



2223269

中文

65

声功率级 ( $L_{WA}$ )	92.5 dB(A)
声功率级的不确定性 ( $K_{WA}$ )	3 dB(A)

#### 振动信息

其它应用 (例如切削) 可能产生偏离给定值的振动值。

带减振侧面手柄的表面磨削 ( $a_{h,AG}$ )	1.1 m/s <sup>2</sup>
带砂纸和减振侧面手柄的砂磨 ( $a_{h,DS}$ )	3.7 m/s <sup>2</sup>
不确定性 (K)	1.5 m/s <sup>2</sup>

## 6 在使用之前

### 6.1 为电池充电

1. 为电池充电之前, 请阅读充电器的操作说明。
2. 确保电池和充电器上的触点均清洁、干燥。
3. 使用认可的充电器为电池充电。

### 6.2 插入电池



电池短路或跌落 有导致受伤的危险!

- ▶ 插入电池之前, 确保产品上的触点以及设备上的触点均无异物。
- ▶ 确保电池接合正确。

1. 在首次使用电池之前, 要给电池完全充电。
2. 将电池推入电池座中, 直至听到它接合的“咔嚓”声。
3. 检查并确认电池已可靠就位。

### 6.3 拆卸电池

1. 按下电池释放按钮。
2. 将电池从工具中取出。

### 6.4 安装侧面手柄

- ▶ 将侧面手柄拧入提供的其中一个螺纹衬套内。

### 6.5 安装或拆卸防护装置



人身伤害的危险。配件工具可能会发烫或边缘很锋利。

- ▶ 安装、拆卸或调节配件工具或其他部件时以及执行故障排除时, 戴上防护手套。

- ▶ 遵守适用的防护装置的安装说明。

#### 6.5.1 安装标准防护装置



防护装置已键合, 确保仅可安装适用于本产品的防护装置类型。键合定位凸耳也可防止防护装置接触到工具。

1. 拆下电池。→ 页码 66
2. 打开夹紧杆。
3. 将防护装置安装到心轴凸缘上, 从而使楔形定位凸耳接合在提供的凹槽中。
4. 将防护装置旋转至所需的位置。
5. 通过闭合夹紧杆紧固防护装置。



防护装置已通过调节螺钉预设正确的夹紧直径。若安装防护装置时夹紧力过低, 可通过略微拧紧调节螺钉增加夹紧力。



### 6.5.2 调节标准防护装置

1. 拆下电池。→ 页码 66
2. 释放夹紧杆。
3. 将防护装置旋转至所需的位置。
4. 通过闭合夹紧杆紧固防护装置。

### 6.5.3 拆下标准防护装置

1. 释放夹紧杆。
2. 旋转防护装置，直至楔形定位凸耳与楔形定位凹槽对准，然后拆卸防护装置。

## 6.6 安装或拆卸前盖

使用时，前盖卡在防护装置上。

1. 定位前盖，使闭合侧位于标准防护装置上，然后将其推上，直到其接合。
2. 要拆下前盖，先释放前盖的锁扣，然后将前盖从标准防护装置上抬高。

## 6.7 安装和拆卸配件工具

### -警告-

人身伤害的危险。配件工具可能因电机的制动作用而松脱。

- ▶ 先等待配件工具停止，然后才能触摸或握住配件工具或夹紧螺母。
- ▶ 通过牢固拧紧夹紧法兰和夹紧螺母来固定配件工具，以免部件因电机的制动作用而从主轴上松脱。

### -小心-

人身伤害的危险。配件工具可能过热。

- ▶ 更换配件工具时，戴上防护手套。



当切削或磨削性能明显降低时，必须更换金刚石盘。当某些部分的高度小于 2 mm 时，通常需要这样做。

当切削性能明显降低或角磨机的其它部件 (非盘) 接触到被加工材料时，必须更换其它盘。  
当研磨盘达到有效期限后，必须将其更换。

### 6.7.1 安装配件工具

1. 拆下电池。→ 页码 66
2. 清洁夹紧法兰和夹紧螺母。
3. 将夹紧用法兰安装在驱动主轴上。
4. 安装配件工具。
5. 拧上与所安装配件工具类型对应的夹紧螺母。
6. 按下主轴锁止按钮并保持住。
7. 使用插销扳手可靠拧紧夹紧螺母，然后释放主轴锁止按钮并取下扳手。

### 6.7.2 拆卸配件工具

1. 拆下电池。→ 页码 66

### -小心-

破裂和不可修复的损坏风险。如果主轴锁止按钮在主轴正在旋转时按下，附属工具可能从电动工具上分离。

- ▶ 只有主轴停止旋转后，才可按下主轴锁止按钮。
2. 按下主轴锁止按钮并保持住。
  3. 使用扳手夹住螺母并沿逆时针方向旋转，释放夹紧螺母。
  4. 释放主轴锁止按钮，然后拆下配件工具。

### 6.7.3 安装钢丝刷

1. 拆下电池。→ 页码 66
2. 安装侧面手柄。→ 页码 66
3. 安装标准防护装置。



4. 将钢丝刷放入位，并将其拧紧至手紧程度。
5. 按下并按住主轴锁止按钮。
6. 用适当的开口扳手拧紧钢丝刷。
7. 然后释放主轴锁止按钮并拆下开口扳手。

#### 6.7.4 安装树脂纤维磨盘

1. 拆下电池。→ 页码 66
2. 安装侧面手柄。→ 页码 66
3. 安装标准防护装置。
4. 安装支撑板和树脂纤维磨盘，拧上夹紧螺母并将其牢固拧紧。
5. 按下主轴锁止按钮并保持住。
6. 使用插销扳手拧紧夹紧螺母。
7. 释放主轴锁止按钮并取下扳手。

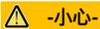
## 7 操作

---

### 7.1 打开

1. 按下“打开/关闭”开关的后部。
2. 向前滑动“打开/关闭”开关。
  - ↳ 电机运行。
3. 锁定“打开/关闭”开关。

### 7.2 磨削



人身伤害的危险。配件工具可能会突然卡住或停止。

- ▶ 应始终在已安装侧面手柄的情况下使用电动工具，并用双手牢牢握住电动工具。
- 

### 7.3 切割

- ▶ 切割时，施加适度的进给压力，不要倾斜电动工具或切割盘（作业时，使其与切割面近似垂直）。



当切割剖面和方管时，为了获得最佳结果，从最小的横截面开始切割。

---

### 7.4 粗磨



人身伤害的危险。研磨切割盘可能破裂，飞溅的碎片可能造成伤害。

- ▶ 切勿使用研磨切割盘进行磨削。
  - ▶ 来回移动电动工具，同时保持 5° - 30° 的冲角并施加适度的压力。
    - ↳ 这将避免工件过热和变色，并且有助于确保均匀的表面质量。
- 

### 7.5 关闭

- ▶ 按下“打开/关闭”开关的后部。
  - ↳ “打开/关闭”开关跳到关闭位置，电机停止。

## 8 维护和保养

---



插入电池时存在人身伤害危险！

- ▶ 执行维护和保养任务之前，请务必先取出电池。
- 

#### 本工具的维护和保养

- 仔细清除可能粘附在部件上的所有污垢。
- 拆下防尘过滤器，并用干燥的刷子小心地清洁防尘过滤器和通风孔。



- 请仅使用略湿的布清洁壳体。不要使用含硅清洁剂，否则可能腐蚀塑料件。

### 锂离子电池的保养

- 确保电池远离油和油脂。
- 请仅使用略湿的布清洁壳体。不要使用含硅清洁剂，否则可能腐蚀塑料件。
- 注意避免湿气侵入。

### 维护

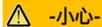
- 定期检查所有可见部件和控制器是否出现损坏迹象，确保其全部正常工作。
- 如果发现损坏迹象或如果有部件发生故障，不要操作本产品。立即将产品交由 Hilti 维修中心修复。
- 清洁和维护之后，安装所有护板或保护装置，检查并确认其正常工作。



为确保安全和可靠的操作，仅限使用喜利得原装备件和消耗品。Hilti 批准用于配合产品使用的备件、消耗品和配件可到您当地的 **Hilti Store** 购买或通过以下网址在线订购：[www.hilti.group](http://www.hilti.group)。

## 9 运输和存放无绳工具

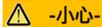
### 运输



#### 运输途中的意外启动！

- ▶ 运输产品前务必将电池取出！
- ▶ 拆下电池。
- ▶ 切勿松散、未加保护地运输大批量电池。
- ▶ 在长时间运输后使用前，检查工具和电池是否损坏。

### 存放



#### 电池故障或泄漏导致的意外损坏！

- ▶ 存放产品前务必将电池取出！
- ▶ 将工具和电池存放在尽量凉爽和干燥的地方。
- ▶ 切勿将电池存放在阳光直射位置、加热单元上或窗玻璃后。
- ▶ 将工具和电池存放在儿童或非授权人员无法接近的干燥位置。
- ▶ 工具和电池经过长期存放后，在使用之前，检查其是否受损。

## 10 故障排除

如果您碰到的问题未在此表中列出或您无法自己实施补救措施，请联系 **Hilti** 服务部门。

### 10.1 故障排除

故障	可能原因	解决方案
电池比平常更快耗尽。	非常低的环境温度。	▶ 允许电池缓慢加热到室温。
电池未接合 (没有发出咔哒声)。	电池上的固定凸耳脏污。	▶ 清洁固定凸耳，然后重新安装电池。
1 个 LED 闪烁。 设备不工作。	电池电量低。	▶ 更换电池，并对已放电电池充电。
	电池过热或过冷。	▶ 使电池缓慢冷却或变暖至室温。
4 个 LED 全部闪烁。 设备不工作。	工具已过载。	▶ 释放控制开关，然后再次将其按下。然后使电动工具空载运行约 30 秒。
角磨机或电池变得非常热。	电气故障	▶ 立刻关闭电动工具，拆下电池，进行观察，使其冷却并联系 <b>Hilti</b> 服务部门。
工具不能达到全功率。	使用了一个容量不足的电池。	▶ 使用容量足够的电池。
电机没有制动作用。	电池电量低。	▶ 更换电池，并对已放电电池充电。
	电动工具短时间过载。	▶ 关闭电动工具然后再次打开。



## 11 RoHS (有害物质限制)

---

单击链接跳转到有害物质表：[qr.hilti.com/r9884540](http://qr.hilti.com/r9884540)。  
文档末尾以二维码形式提供指向 RoHS 表的链接。

## 12 废弃处置

---

 大部分用于 Hilti 工具和设备生产的材料是可回收利用的。在可以回收之前，必须正确分离材料。在很多国家，您的旧工具、机器或设备可送至 Hilti 进行回收。敬请联系 Hilti 维修中心或 Hilti 代表获得更多信息。

### 电池处置

电池处置不当可能会造成漏气或漏液，最终导致健康危害。

- ▶ 不得通过邮寄方式发送电池！
- ▶ 用非导电材料 (比如绝缘带) 包住端子，以防止短路。
- ▶ 在儿童接触不到的地方处置电池。
- ▶ 请至 **Hilti Store** 处置电池，或咨询当地政府下属的垃圾处置或公共健康和机构，以获取处置说明。



- ▶ 不得将电动工具、电子设备或电池作为生活垃圾处置！
- 

## 13 制造商保修

---

- ▶ 如果您有保修条件方面的问题，请联系您当地的 Hilti 公司代表。





**Hilti Aktiengesellschaft**  
Feldkircherstraße 100  
9494 Schaan | Liechtenstein

**AG 4S-A22-100 (01)**

[2018]

2006/42/EC

EN 60745-1

2011/65/EU

EN 60745-2-3

2014/30/EU

Schaan, 01/2019

A handwritten signature in black ink, appearing to read "Paolo Luccini".

**Paolo Luccini**

Head of BA Quality and  
Process-Management  
BA Electric Tools & Accessories

A handwritten signature in black ink, appearing to read "Tassilo Deinzer".

**Tassilo Deinzer**

Executive Vice President  
BU Electric Tools & Accessories







Hilti Corporation  
LI-9494 Schaan  
Tel.:+423 234 21 11  
Fax:+423 234 29 65  
[www.hilti.group](http://www.hilti.group)



2223269