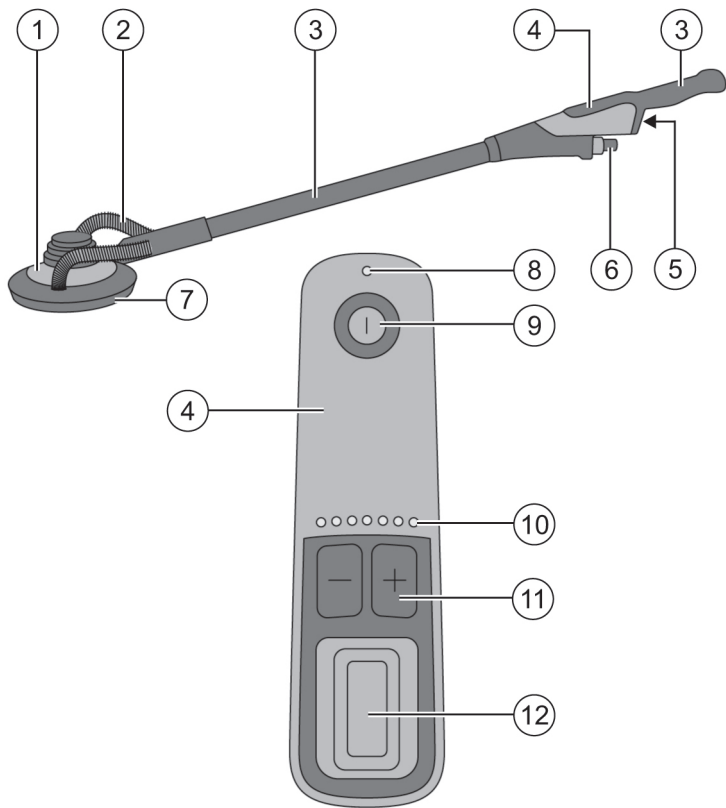
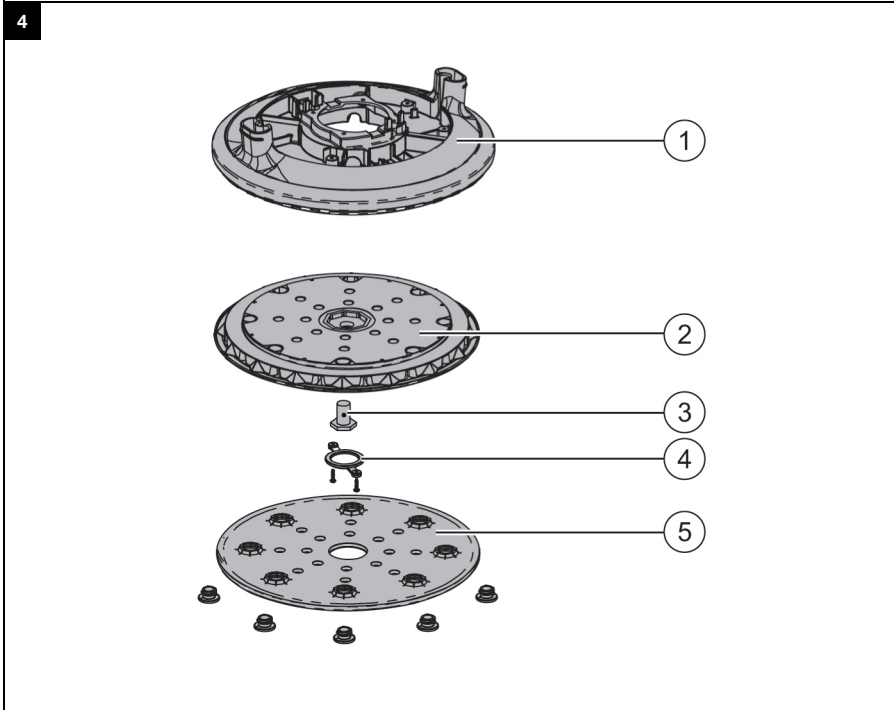
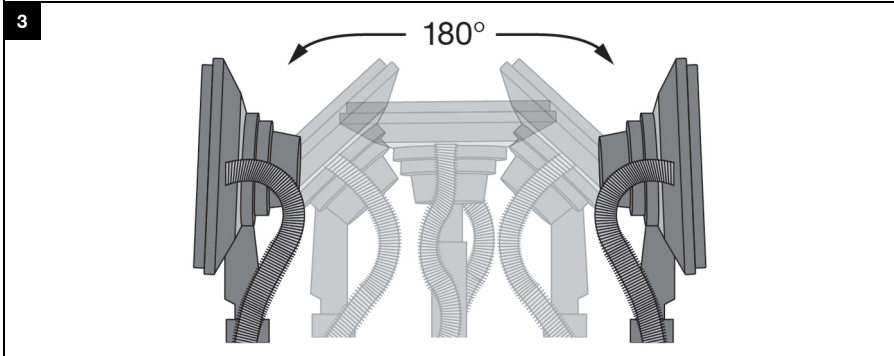
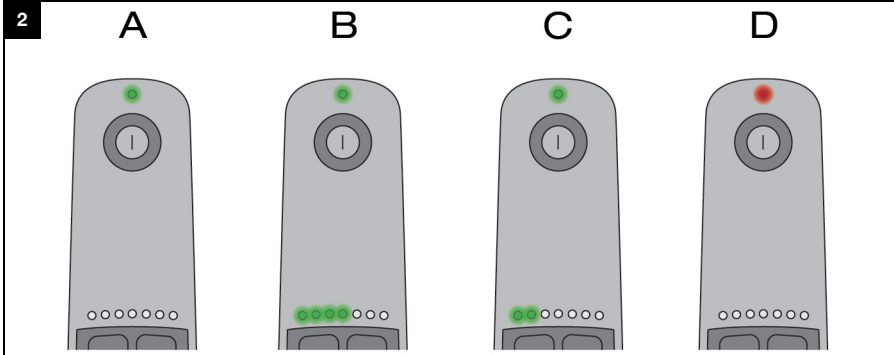




DWS 225

English	1
Français	9
Español	18
Português	27





DWS 225

en	Original operating instructions	1
fr	Mode d'emploi original	9
es	Manual de instrucciones original	18
pt	Manual de instruções original	27

Original operating instructions

1 Information about the documentation

1.1 About this documentation

- Read this documentation before initial operation or use. This is a prerequisite for safe, trouble-free handling and use of the product.
- Observe the safety instructions and warnings in this documentation and on the product.
- Always keep the operating instructions with the product and make sure that the operating instructions are with the product when it is given to other persons.

1.2 Explanation of symbols used

1.2.1 Warnings

Warnings alert persons to hazards that occur when handling or using the product. The following signal words are used:

DANGER

DANGER !

- ▶ Draws attention to imminent danger that will lead to serious personal injury or fatality.

WARNING

WARNING !

- ▶ Draws attention to a potential threat of danger that can lead to serious injury or fatality.

CAUTION

CAUTION !

- ▶ Draws attention to a potentially dangerous situation that could lead to personal injury or damage to the equipment or other property.

1.2.2 Symbols in the documentation

The following symbols are used in this document:

	Read the operating instructions before use.
	Instructions for use and other useful information
	Dealing with recyclable materials
	Do not dispose of electric equipment and batteries as household waste

1.2.3 Symbols in the illustrations

The following symbols are used in illustrations:

	These numbers refer to the corresponding illustrations found at the beginning of these operating instructions
	The numbering reflects the sequence of operations shown in the illustrations and may deviate from the steps described in the text
	Item reference numbers are used in the overview illustrations and refer to the numbers used in the product overview section
	This symbol is intended to draw special attention to certain points when handling the product.



1.3 Product-dependent symbols

1.3.1 Symbols on the product

The following symbols can be used additionally on the product:

	Wear eye protection
	Wear ear protection
	Wear protective gloves
	Wear light respiratory protection
	Protection class II (double-insulated)
	Diameter
/min	Revolutions per minute
RPM	Revolutions per minute

1.4 Product information

products are designed for professional users and only trained, authorized personnel are permitted to operate, service and maintain the products. This personnel must be specifically informed about the possible hazards. The product and its ancillary equipment can present hazards if used incorrectly by untrained personnel or if used not in accordance with the intended use.

The type designation and serial number are printed on the rating plate.

- ▶ Write down the serial number in the table below. You will be required to state the product details when contacting Hilti Service or your local Hilti organization to inquire about the product.

Product information

Random orbital sander	DWS 225
Generation:	01
Serial number:	

1.5 Declaration of conformity

We declare, on our sole responsibility, that the product described here complies with the applicable directives and standards. A copy of the declaration issued by the certification department can be found at the end of this documentation.

The technical documentation is filed here:

Hilti Entwicklungsgesellschaft mbH | Tool Certification | Hiltistrasse 6 | 86916 Kaufering, Germany

2 Safety

2.1 General power tool safety warnings

⚠ WARNING Read all safety warnings, instructions, illustrations and specifications provided with this power tool. Failure to follow all instructions listed below may result in electric shock, fire and/or serious injury. **Save all warnings and instructions for future reference.**

The term "power tool" in the warnings refers to your mains-operated (corded) power tool or battery-operated (cordless) power tool.

Work area safety

- ▶ **Keep work area clean and well lit.** Cluttered or dark areas invite accidents.
- ▶ **Do not operate power tools in explosive atmospheres, such as in the presence of flammable liquids, gases or dust.** Power tools create sparks which may ignite the dust or fumes.
- ▶ **Keep children and bystanders away while operating a power tool.** Distractions can cause you to lose control.



Electrical safety

- ▶ **Power tool plugs must match the outlet. Never modify the plug in any way. Do not use any adapter plugs with earthed (grounded) power tools.** Unmodified plugs and matching outlets will reduce risk of electric shock.
- ▶ **Avoid body contact with earthed or grounded surfaces, such as pipes, radiators, ranges and refrigerators.** There is an increased risk of electric shock if your body is earthed or grounded.
- ▶ **Do not expose power tools to rain or wet conditions.** Water entering a power tool will increase the risk of electric shock.
- ▶ **Do not abuse the cord. Never use the cord for carrying, pulling or unplugging the power tool. Keep cord away from heat, oil, sharp edges or moving parts.** Damaged or entangled cords increase the risk of electric shock.
- ▶ **When operating a power tool outdoors, use an extension cord suitable for outdoor use.** Use of a cord suitable for outdoor use reduces the risk of electric shock.
- ▶ **If operating a power tool in a damp location is unavoidable, use a residual current device (RCD) protected supply.** Use of an RCD reduces the risk of electric shock.

Personal safety

- ▶ **Stay alert, watch what you are doing and use common sense when operating a power tool. Do not use a power tool while you are tired or under the influence of drugs, alcohol or medication.** A moment of inattention while operating power tools may result in serious personal injury.
- ▶ **Use personal protective equipment. Always wear eye protection.** Protective equipment such as a dust mask, non-skid safety shoes, hard hat or hearing protection used for appropriate conditions will reduce personal injuries.
- ▶ **Prevent unintentional starting. Ensure the switch is in the off-position before connecting to power source and/or battery pack, picking up or carrying the tool.** Carrying power tools with your finger on the switch or energising power tools that have the switch on invites accidents.
- ▶ **Remove any adjusting key or wrench before turning the power tool on.** A wrench or a key left attached to a rotating part of the power tool may result in personal injury.
- ▶ **Do not overreach. Keep proper footing and balance at all times.** This enables better control of the power tool in unexpected situations.
- ▶ **Dress properly. Do not wear loose clothing or jewellery. Keep your hair and clothing away from moving parts.** Loose clothes, jewellery or long hair can be caught in moving parts.
- ▶ **If devices are provided for the connection of dust extraction and collection facilities, ensure these are connected and properly used.** Use of dust collection can reduce dust-related hazards.
- ▶ **Do not let familiarity gained from frequent use of tools allow you to become complacent and ignore tool safety principles.** A careless action can cause severe injury within a fraction of a second.

Power tool use and care

- ▶ **Do not force the power tool. Use the correct power tool for your application.** The correct power tool will do the job better and safer at the rate for which it was designed.
- ▶ **Do not use the power tool if the switch does not turn it on and off.** Any power tool that cannot be controlled with the switch is dangerous and must be repaired.
- ▶ **Disconnect the plug from the power source and/or remove the battery pack, if detachable, from the power tool before making any adjustments, changing accessories, or storing power tools.** Such preventive safety measures reduce the risk of starting the power tool accidentally.
- ▶ **Store idle power tools out of the reach of children and do not allow persons unfamiliar with the power tool or these instructions to operate the power tool.** Power tools are dangerous in the hands of untrained users.
- ▶ **Maintain power tools and accessories. Check for misalignment or binding of moving parts, breakage of parts and any other condition that may affect the power tool's operation. If damaged, have the power tool repaired before use.** Many accidents are caused by poorly maintained power tools.
- ▶ **Keep cutting tools sharp and clean.** Properly maintained cutting tools with sharp cutting edges are less likely to bind and are easier to control.
- ▶ **Use the power tool, accessories and tool bits etc. in accordance with these instructions, taking into account the working conditions and the work to be performed.** Use of the power tool for operations different from those intended could result in a hazardous situation.
- ▶ **Keep handles and grasping surfaces dry, clean and free from oil and grease.** Slippery handles and grasping surfaces do not allow for safe handling and control of the tool in unexpected situations.



Service

- ▶ **Have your power tool serviced by a qualified repair person using only identical replacement parts.** This will ensure that the safety of the power tool is maintained.

2.2 Belt sander and drum sander safety warnings

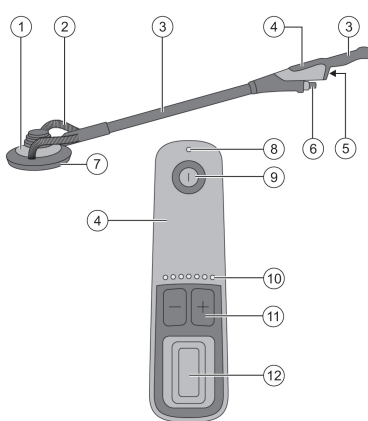
- ▶ **Hold the power tool by insulated gripping surfaces, because the sanding surface may contact its own cord.** Cutting a "live" wire may make exposed metal parts of the power tool "live" and could give the operator an electric shock.

2.3 Additional safety instructions

- ▶ Use the power tool only when it is in perfect working order.
- ▶ Never tamper with or modify the power tool in any way.
- ▶ The power tool is not intended for use by persons who have received no special training. Keep the power tool out of reach of children.
- ▶ Always hold the power tool firmly with both hands on the grips provided. Keep the grips dry, clean and free from oil and grease.
- ▶ After installing the backing pad, always install the screw cap.
- ▶ Check the power tool, the backing pad, the supply cord and the connections at regular intervals for wear.
- ▶ Check the power tool's supply cord at regular intervals and have it replaced by a qualified specialist if found to be damaged.
- ▶ Check extension cords at regular intervals and replace them if found to be damaged. Do not touch the supply cord or extension cord if it is damaged while working. Unplug the supply cord from the power outlet.
- ▶ In the event of an interruption in the electricity supply, switch the power tool off and unplug it from the power outlet to prevent an unwanted restart when power is restored.

3 Description

3.1 Product overview



- ① Sanding head
- ② Extractor
- ③ Grip surfaces
- ④ Control panel
- ⑤ Power cord socket
- ⑥ Hose connector
- ⑦ Backing pad
- ⑧ Multi-purpose LED
- ⑨ On/off button
- ⑩ Speed indicator
- ⑪ Increase/reduce speed
- ⑫ Start/stop button

3.2 Intended use

The product is a hand-held, electrically powered random orbital sander. It is suitable for dry-sanding wood, wood-based materials, composites, varnishes, paints, plastics, plaster and filler compounds with wearing, replaceable sanding pads.

3.3 Possible misuse

- This product is not suitable for working on hazardous materials.
- This product is not suitable for working in a damp environment and use of the product for wet sanding is prohibited.



- Do not use backing pads with a nominal working speed lower than 8000 rpm.

3.4 LED indicators on the control panel 2

On the control panel there is a multi-purpose LED to indicate operating status or malfunction of the power tool, and an LED array for indicating speed (rpm).

Status	Meaning
A: Multi-purpose LED shows green	AC supply connected.
B: Multi-purpose LED shows green	Power tool switched on and/or start/stop button pressed, speed indicator active.
C: Multi-purpose LED flashes green/red	Speed is increased/reduced; selected speed is indicated by the LEDs.
D: Multi-purpose LED shows red	Overtemperature warning.
E: Multi-purpose LED quick-flashes green/red	Voltage outside appropriate range.

3.5 Sanding head 3

The sanding head is 180° flexible, enabling the operator to reach the surface to be sanded from different angles. The power tool can track the operator's movements, so the operator can adopt an ergonomic working position.

3.6 Items supplied

Random orbital sander, operating instructions.

Other system products approved for use with this product can be found at your local **Hilti Store** or at: www.hilti.group

4 Technical data



For rated voltage, rated current, frequency and/or input power, refer to the country-specific type identification plate.

If the device is powered by a generator or transformer, the generator or transformer's power output must be at least twice the rated input power shown on the rating plate of the device. The operating voltage of the transformer or generator must always be within +5 % and -15 % of the rated voltage of the device.

	DWS 225
Weight in accordance with EPTA procedure 01	3.5 kg
Speed	4,000 /min ... 8,000 /min (66.7 Hz ... 133.3 Hz)
Eccentric stroke	5 mm
Diameter, backing pad	225 mm

5 Use of extension cords

Using extension cords



WARNING

A damaged supply cord presents a hazard! Do not touch the supply cord or extension cord if damaged while working. Disconnect the supply cord plug from the power outlet.

- ▶ Check the appliance's supply cord at regular intervals and have it replaced by a qualified specialist if found to be damaged.
- Use only extension cords of a type approved for the application and with conductors of adequate gauge (cross section). The power tool may otherwise suffer a drop in performance and the extension cord may overheat.
- Check the extension cord for damage at regular intervals.
- Replace damaged extension cords.



- When working outdoors, use only extension cords that are approved and correspondingly marked for this application.



Information on recommended minimum conductor cross-sections and cable lengths is accessible via a link, in the form of a QR code, at the end of this document.

6 Preparations at the workplace



CAUTION

Risk of injury! Inadvertent starting of the product.

- ▶ Unplug the supply cord before making adjustments to the power tool or before changing accessories.

Observe the safety instructions and warnings in this documentation and on the product.

6.1 Positioning the sanding pad



Power tool, sanding pad and backing pad together form a system. Be sure to use the correct combination and settings for the application.

The choice of sanding pad (grit size), speed and contact pressure determines the stock removal rate and the finish.

1. Unplug the supply cord from the power outlet.
2. Select a suitable sanding pad and secure it to the backing pad. Make sure that the sanding pad is centered and securely seated against the backing pad.

7 Types of work



WARNING

Damaged power cords are a safety hazard! If the supply cord or extension cord is damaged while work is in progress, immediately disconnect the device and the cord from the electricity supply. Do not touch the damaged part of the cord.

- ▶ Regularly check all supply cords. Replace defective extension cords. Have damaged power cords replaced by a qualified specialist.

Use of a ground fault circuit interrupter (residual current device, RCD) with a maximum tripping current of 30 mA is recommended.

7.1 Switching on

- ▶ Press the on/off button.
 - ▶ The multi-purpose LED shows green.



Warning! The power tool develops torque as soon as the motor starts.

If possible, always use the power tool in combination with an industrial vacuum cleaner.

7.2 Sanding

1. Set the desired speed. To do this, use the "Increase/reduce speed" buttons as appropriate.
 - ▶ Speed can be adjusted in the range from 4000 to 8000 rpm. The LED array indicates the set speed.
2. Position the power tool with the whole of its sanding face on the surface to be sanded.
3. Press the start/stop button.
 - ▶ The sanding operation starts
4. Applying moderate pressure, move the power tool steadily over the surface to be sanded.

7.3 Ending the sanding operation

1. Lift the power tool clear of the surface being sanded before you end the sanding operation.
 - ▶ Otherwise, the excessive speed could cause the abrasive to leave marks in the surface being sanded.
2. Press the start/stop button.



7.4 Switching off

1. Press the on/off button.
2. Do not set the power tool down until the backing pad has come to a complete stop.

8 Care and maintenance

WARNING

Electric shock hazard! Attempting care and maintenance with the supply cord connected to a power outlet can lead to severe injury and burns.

- ▶ Always unplug the supply cord before carrying out care and maintenance tasks.

Care

- Carefully remove stubborn dirt from the tool.
- Clean the air vents carefully with a dry brush.
- Use only a slightly damp cloth to clean the casing. Do not use cleaning agents containing silicone as they can attack the plastic parts.

Maintenance

WARNING

Danger of electric shock! Improper repairs to electrical components may lead to serious injuries including burns.

- ▶ Repairs to the electrical section of the tool or appliance may be carried out only by trained electrical specialists.
- Check all visible parts and controls for signs of damage at regular intervals and make sure that they all function correctly.
- Do not operate the product if signs of damage are found or if parts malfunction. Have it repaired immediately by **Hilti Service**.
- After cleaning and maintenance, fit all guards or protective devices and check that they function correctly.



To help ensure safe and reliable operation, use only genuine Hilti spare parts and consumables. Spare parts, consumables and accessories approved by Hilti for use with the product can be found at your local **Hilti Store** or online at: www.hilti.group.

8.1 Assembly modules

- | | |
|-----------------------------------|------------------------------------|
| ① Arbor and bearing module | ④ Cap for screw |
| ② Sanding head | ⑤ Backing pad with securing screws |
| ③ Securing screw for sanding head | |

8.2 Changing the backing pad

Tools needed: 19 mm hex bit socket and Torx screwdriver.

1. Disconnect the supply cord plug from the power outlet.
2. Remove the screw cap.
3. Remove the backing pad screw.
4. Remove the old backing pad.
5. Install the new backing pad positioned correctly on the spindle.
6. Using the hex bit socket, tighten the backing pad screw to 10 Nm.
7. Install the screw cap.
 - ▶ Tighten the securing screw of the screw cap to 0.8 Nm.
8. Check that the backing pad is installed correctly and not tilted.

8.3 Changing backing pad and attachment pad

Tools needed: Plain screwdriver.

1. Disconnect the supply cord plug from the power outlet.
2. Remove the 8 recessed screws.



3. Remove the attachment pad.
4. Remove the old backing pad.
5. Install the new backing pad positioned correctly on the spindle.
6. Secure a new attachment pad.
 - ▶ Re-install the 8 recessed screws.
7. Check that backing pad and attachment pad are installed correctly and do not tilt.

9 Transport and storage

Transport

- ▶ Make sure that the equipment is held securely throughout all transport operations.
- ▶ After transporting, always check all visible parts and controls for signs of damage and make sure that they all function correctly.

Storage

- ▶ Always store this product with the electric supply cable unplugged from the electricity supply.
- ▶ Store this product in a dry place, where it cannot be accessed by children or unauthorized persons.
- ▶ After a long period of storage, always check all visible parts and controls for signs of damage and make sure that they all function correctly.

10 Troubleshooting

Trouble or fault	Possible cause	Action to be taken
The multi-function LED flashes alternately red and green.	The power tool is connected to a power outlet with the wrong voltage.	▶ Connect the power tool to a power outlet that delivers the correct voltage for the power tool.
The multi-function LED does not show when the power tool is switched on.	The supply cord is not correctly connected to the power tool or the power outlet.	▶ Connect the supply cord correctly.
The multi-function LED on the sander shows red, speed drops slightly.	Excessive pressure applied to the power tool for a short time.	▶ Apply less pressure to the power tool; the multi-function LED will switch automatically back to green.
The multi-function LED on the sander shows red and the speed of the sander drops to 4000 rpm while sanding is in progress.	The temperature in the sander is too high. Excessive pressure applied to the power tool for a prolonged time.	▶ Apply less pressure for a moment to allow speed to increase.
The seal on the backing pad does not work.	Worn seal or faulty spindle bearing.	▶ Check the seal and the spindle bearing; replace as necessary.
The sander has stopped and the multi-function LED shows red.	The power tool has switched to safe mode because the temperature was too high.	▶ Wait until the power tool has cooled down.

11 Disposal

Most of the materials from which **Hilti** tools and appliances are manufactured can be recycled. The materials must be correctly separated before they can be recycled. In many countries, your old tools, machines or appliances can be returned to **Hilti** for recycling. Ask **Hilti** Service or your Hilti representative for further information.



- ▶ Do not dispose of power tools, electronic equipment or batteries as household waste!

12 Manufacturer's warranty

- ▶ Please contact your local **Hilti** representative if you have questions about the warranty conditions.



13 Further information

For more information on operation, technology, environment and recycling, follow this link: qr.hilti.com/manual/?id=2301587

This link is also to be found at the end of the documentation, in the form of a QR code.

Mode d'emploi original

1 Indications relatives à la documentation

1.1 À propos de cette documentation

- Lire intégralement la présente documentation avant la mise en service. C'est la condition préalablement requise pour assurer la sécurité du travail et un maniement sans perturbations.
- Bien respecter les consignes de sécurité et les avertissements de la présente documentation ainsi que celles figurant sur le produit.
- Toujours conserver le mode d'emploi à proximité du produit et uniquement le transmettre à des tiers avec ce mode d'emploi.

1.2 Explication des symboles

1.2.1 Avertissements

Les avertissements attirent l'attention sur des dangers liés à l'utilisation du produit. Les termes de signalisation suivants sont utilisés :

DANGER

DANGER !

- ▶ Pour un danger imminent qui peut entraîner de graves blessures corporelles ou la mort.

AVERTISSEMENT

AVERTISSEMENT !

- ▶ Pour un danger potentiel qui peut entraîner de graves blessures corporelles ou la mort.





ATTENTION

ATTENTION !

- ▶ Pour une situation potentiellement dangereuse pouvant entraîner des blessures corporelles ou des dégâts matériels.

1.2.2 Symboles dans la documentation

Les symboles suivants sont utilisés dans la présente documentation :

	Lire le mode d'emploi avant d'utiliser l'appareil
	Pour des conseils d'utilisation et autres informations utiles
	Maniement des matériaux recyclables
	Ne pas jeter les appareils électriques et les accus dans les ordures ménagères

1.2.3 Symboles dans les illustrations

Les symboles suivants sont utilisés dans les illustrations :

2	Ces chiffres renvoient à l'illustration correspondante au début du présent mode d'emploi
3	La numérotation détermine la séquence des étapes de travail dans l'image et peut se différencier de celles des étapes de travail dans le texte



	Les numéros de position sont utilisés dans l'illustration Vue d'ensemble et renvoient aux numéros des légendes dans la section Vue d'ensemble du produit
	Ce signe doit inviter à manier le produit en faisant particulièrement attention.

1.3 Symboles spécifiques au produit

1.3.1 Symboles sur le produit

Les symboles suivants peuvent également être utilisés sur le produit :

	Porter des lunettes de protection
	Porter un casque antibruit
	Porter des gants de protection
	Porter un masque respiratoire léger
	Classe de protection II (double isolation)
	Diamètre
/min	Tours par minute
RPM	Tours par minute

1.4 Informations produit

Les produits sont destinés aux professionnels et ne doivent être utilisés, entretenus et réparés que par un personnel autorisé et formé. Ce personnel doit être spécialement instruit quant aux dangers inhérents à l'utilisation de l'appareil. Le produit et ses accessoires peuvent s'avérer dangereux s'ils sont utilisés de manière incorrecte par un personnel non qualifié ou de manière non conforme à l'usage prévu. La désignation du modèle et le numéro de série figurent sur sa plaque signalétique.

- Inscrivez le numéro de série dans le tableau suivant. Les informations produit vous seront demandées lorsque vous contactez nos revendeurs ou services après-vente.

Caractéristiques produit

Ponceuse excentrique	DWS 225
Génération :	01
Numéro de série :	

1.5 Déclaration de conformité

Nous déclarons sous notre seule et unique responsabilité que le produit décrit ici est conforme aux directives et normes en vigueur. Une copie de l'attestation délivrée par l'organisme de certification se trouve en fin de la présente documentation.

Pour obtenir les documentations techniques, s'adresser à :

Hilti Entwicklungsgesellschaft mbH | Zulassung Geräte | Hiltistraße 6 | 86916 Kaufering, DE

2 Sécurité

2.1 Indications générales de sécurité pour les appareils électriques

⚠ AVERTISSEMENT Lire toutes les consignes de sécurité et instructions, illustrations et caractéristiques techniques, qui accompagnent cet outil électroportatif. Tout manquement à l'observation des instructions suivantes risque de provoquer une électrocution, un incendie et/ou de graves blessures.

Les consignes de sécurité et instructions doivent être intégralement conservées pour les utilisations futures.



La notion d'« outil électroportatif » mentionnée dans les consignes de sécurité se rapporte à des outils électriques raccordés au secteur (avec câble d'alimentation) et à des outils électriques sur accu (sans câble d'alimentation).

Sécurité sur le lieu de travail

- ▶ **Conserv**er la zone de travail propre et bien éclairée. Un lieu de travail en désordre ou mal éclairé augmente le risque d'accidents.
- ▶ **Ne pas faire fonctionner les outils électriques en atmosphère explosive et où se trouvent des liquides, des gaz ou poussières inflammables.** Les outils électriques produisent des étincelles qui peuvent enflammer les poussières ou les fumées.
- ▶ **Maintenir les enfants et les personnes présentes à l'écart pendant l'utilisation de l'outil électroportatif.** En cas d'inattention il y a risque de perdre le contrôle de l'appareil.

Sécurité relative au système électrique

- ▶ **La fiche de secteur de l'outil électroportatif doit être adaptée à la prise de courant. Ne jamais modifier la fiche de quelque façon que ce soit. Ne pas utiliser d'adaptateurs avec des outils électriques à branchement de terre.** Des fiches non modifiées et des prises de courant adaptées réduiront le risque de choc électrique.
- ▶ **Éviter le contact physique avec des surfaces mises à la terre tels que tuyaux, radiateurs, cuisinières et réfrigérateurs.** Il y a un risque élevé de choc électrique au cas où votre corps serait relié à la terre.
- ▶ **Ne pas exposer les outils électroportatifs à la pluie ou à l'humidité.** La pénétration d'eau à l'intérieur d'un outil électroportatif augmentera le risque d'un choc électrique.
- ▶ **Ne jamais utiliser le câble de raccordement à d'autres fins que celles prévues, telles que pour porter, accrocher ou débrancher l'outil électroportatif de la prise de courant. Maintenir le câble de raccordement à l'écart de la chaleur, des parties grasses, des bords tranchants ou des parties en mouvement.** Des câbles de raccordement endommagés ou emmêlés augmentent le risque de choc électrique.
- ▶ **Si l'outil électroportatif est utilisé à l'extérieur, utiliser uniquement des câbles de rallonge homologués pour les applications extérieures.** L'utilisation d'un câble de rallonge homologué pour les applications extérieures réduit le risque d'un choc électrique.
- ▶ **Si l'utilisation de l'outil électrique dans un environnement humide ne peut pas être évitée, utiliser un interrupteur de protection contre les courants de court-circuit.** L'utilisation d'un tel interrupteur de protection réduit le risque d'une décharge électrique.

Sécurité des personnes

- ▶ **Rester vigilant, surveiller ce que l'on fait. Faire preuve de bon sens en utilisant l'outil électroportatif. Ne pas utiliser l'outil électroportatif en étant fatigué ou sous l'emprise de l'alcool, de drogues ou de médicaments.** Un moment d'inattention lors de l'utilisation de l'outil électroportatif peut entraîner des blessures graves.
- ▶ **Utiliser un équipement de protection personnel et toujours porter une protection pour les yeux.** Les équipements de protection personnels tels que masque antipoussière, chaussures de sécurité antidérapantes, casque de protection ou protection acoustique suivant l'utilisation de l'outil électroportatif, réduiront le risque de blessures des personnes.
- ▶ **Éviter une mise en service par mégarde. S'assurer que l'outil électroportatif est arrêté avant de le brancher à la source de courant et/ou à l'accu, de le prendre ou de le porter.** Le fait de porter l'outil électroportatif avec le doigt sur l'interrupteur ou de brancher l'appareil sur la source de courant lorsque l'interrupteur est en position de fonctionnement peut entraîner des accidents.
- ▶ **Retirer tout outil de réglage ou toute clé avant de mettre l'outil électroportatif en fonctionnement.** Une clé ou un outil se trouvant sur une partie en rotation peut causer des blessures.
- ▶ **Adopter une bonne posture. Veiller à toujours garder une position stable et équilibrée.** Cela permet un meilleur contrôle de l'outil électroportatif dans des situations inattendues.
- ▶ **S'habiller de manière adaptée. Ne pas porter de vêtements amples ni de bijoux. Garder les cheveux, les vêtements et les gants à distance des parties en mouvement.** Des vêtements amples, des bijoux ou des cheveux longs peuvent être happés par des parties en mouvement.
- ▶ **Si des dispositifs servant à aspirer ou à recueillir les poussières doivent être utilisés, s'assurer qu'ils sont effectivement raccordés et correctement utilisés.** L'utilisation d'un dispositif d'aspiration de la poussière peut réduire les risques dus aux poussières.
- ▶ **Ne pas sous-estimer les mesures de sécurité à prendre et ne pas ignorer sciemment les règles de sécurité applicables aux outils électriques, même si l'on est utilisateur chevronné après de fréquentes utilisations de l'outil électroportatif.** Un manque d'attention peut conduire à de graves blessures en quelques fractions de seconde.



Utilisation et maniemement de l'outil électroportatif

- ▶ **Ne pas forcer l'appareil. Utiliser l'outil électroportatif adapté au travail à effectuer.** Un outil électroportatif approprié réalisera mieux le travail et de manière plus sûre au régime pour lequel il a été conçu.
- ▶ **Ne pas utiliser d'outil électroportatif dont l'interrupteur est défectueux.** Tout outil électroportatif qui ne peut plus être mis en ou hors fonctionnement est dangereux et doit être réparé.
- ▶ **Débrancher la fiche de la prise de courant et/ou l'accu amovible avant d'effectuer des réglages sur l'appareil, de changer les accessoires, ou de ranger l'appareil.** Cette mesure de précaution empêche une mise en fonctionnement par mégarde de l'outil électroportatif.
- ▶ **Conserver les outils électroportatifs non utilisés hors de portée des enfants. Ne permettre l'utilisation de l'appareil à aucune personne qui ne soit pas familiarisée avec celui-ci ou qui n'a pas lu ces instructions.** Les outils électroportatifs sont dangereux lorsqu'ils sont entre les mains de personnes non initiées.
- ▶ **Prendre soin des outils électroportatifs et des accessoires. Vérifier que les parties en mouvement fonctionnent correctement et qu'elles ne sont pas coincées, et contrôler si des parties sont cassées ou endommagées de sorte que le bon fonctionnement de l'outil électroportatif s'en trouve entravé. Faire réparer les parties endommagées avant d'utiliser l'appareil.** De nombreux accidents sont dus à des outils électroportatifs mal entretenus.
- ▶ **Garder les outils de coupe affûtés et propres.** Des outils destinés à couper correctement entretenus avec des arêtes de coupe tranchantes sont moins susceptibles de bloquer et sont plus faciles à contrôler.
- ▶ **L'outil électroportatif, les accessoires, les outils amovibles, etc. doivent être utilisés conformément à ces instructions. Tenir également compte des conditions de travail et du travail à réaliser.** L'utilisation des outils électroportatifs à d'autres fins que celles prévues peut entraîner des situations dangereuses.
- ▶ **Veiller à ce que les poignées et surfaces de préhension soient toujours être sèches, propres et exemptes de traces de graisse ou d'huile.** Avec des poignées et surfaces de préhension glissantes, la sécurité et le contrôle de l'outil électroportatif ne peuvent être assurés dans des situations inopinées.

Service

- ▶ **L'outil électroportatif doit uniquement être réparé par un personnel qualifié, utilisant exclusivement des pièces de rechange d'origine.** Ceci permet d'assurer la sécurité de l'outil électroportatif.

2.2 Consignes de sécurité pour ponceuses à bande et à tambour

- ▶ **Tenir l'outil électroportatif au niveau des surfaces de préhension isolées, car la surface de ponçage peut toucher son propre câble d'alimentation réseau.** L'endommagement d'un câble sous tension risque de mettre les parties métalliques de l'appareil sous tension et de provoquer une décharge électrique.

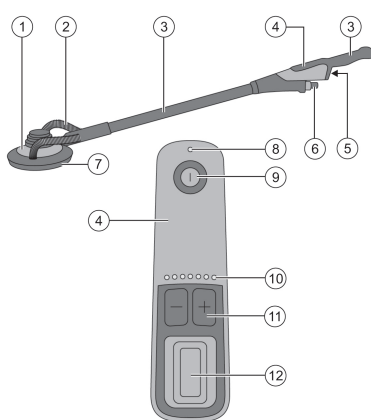
2.3 Consignes de sécurité supplémentaires

- ▶ N'utiliser l'outil électroportatif que dans un état technique impeccable.
- ▶ Ne jamais entreprendre de manipulations ou de modifications sur l'outil électroportatif.
- ▶ L'outil électroportatif n'est pas destiné à être utilisé par des personnes sans encadrement. L'outil électroportatif doit être tenu à l'écart des enfants.
- ▶ Toujours tenir l'outil électroportatif des deux mains par les poignées prévues à cet effet. Veiller à ce que les poignées soient toujours sèches, propres et exemptes de traces de graisse et d'huile.
- ▶ Après le montage du plateau de ponçage, toujours mettre le capuchon de vis en place.
- ▶ Vérifier régulièrement si l'outil électroportatif, le plateau de ponçage, le câble d'alimentation et les raccords présentent des traces d'usure.
- ▶ Contrôler régulièrement le câble de raccordement de l'outil électroportatif et le faire remplacer par un spécialiste s'il est endommagé.
- ▶ Contrôler régulièrement les câbles de rallonge et les remplacer s'ils sont endommagés. Si le câble d'alimentation réseau ou de rallonge est endommagé pendant le travail, ne pas le toucher. Débrancher la fiche de la prise.
- ▶ En cas de coupure de courant, mettre l'interrupteur Marche / Arrêt de l'outil électroportatif sur Arrêt et débrancher la fiche de la prise de courant pour éviter toute mise en marche intempestive lorsque le courant est rétabli.



3 Description

3.1 Vue d'ensemble du produit



- ① Tête de meulage
- ② Aspiration
- ③ Surfaces de préhension
- ④ Panneau de commande
- ⑤ Raccordement du câble d'alimentation
- ⑥ Raccord d'entrée du flexible
- ⑦ Plateau de ponçage
- ⑧ LED polyvalente
- ⑨ Bouton Marche/ Arrêt
- ⑩ Indication de la vitesse de rotation
- ⑪ Augmenter / réduire la vitesse de rotation
- ⑫ Touche Démarrer / Arrêter

3.2 Utilisation conforme à l'usage prévu

Le produit est une ponceuse excentrique électrique à guidage manuel. Il est destiné au ponçage à sec du bois, de matériaux à base de bois, de matériaux composites, de vernis, de peintures, de plastiques, du plâtre et d'enduits au moyen d'un matériau abrasif interchangeable sensible à l'usure.

3.3 Mauvaise utilisation possible

- Ce produit ne convient pas pour travailler des matériaux dangereux pour la santé.
- Ce produit n'est pas conçu pour travailler dans un environnement humide et ne doit pas être utilisé pour le ponçage humide.
- Il est interdit d'utiliser des plateaux de ponçage avec une vitesse de travail intérieure à 8 000 tr/min.

3.4 Affichages LED sur le panneau de commande

Le panneau de commande comporte une LED polyvalente pour signaler l'état ou le dérangement de l'outil électroportatif et plusieurs LED pour l'affichage de la vitesse de rotation (tr/min).

État	Signification
A : la LED polyvalente s'allume en vert	Alimentation électrique raccordée.
B : la LED polyvalente s'allume en vert	Outil mis en marche et/ou touche marche/arrêt actionnée, affichage de la vitesse de rotation activé.
C : la LED polyvalente clignote en vert/rouge	Augmentation/réduction de la vitesse de rotation, affichage de la vitesse sélectionnée par les LED.
D : la LED polyvalente s'allume en rouge	Avertissement de surchauffe.
D : la LED polyvalente clignote rapidement en vert/rouge	Tension hors plage valide.

3.5 Tête de meulage

La tête de meulage flexible 180° permet à l'utilisateur d'atteindre la surface sous différents angles. L'outil électroportatif peut suivre les mouvements de l'utilisateur et celui-ci peut ainsi prendre une posture de travail ergonomique.

3.6 Éléments livrés

Ponceuse excentrique, mode d'emploi.

D'autres produits système pour votre produit peuvent être trouvés dans votre **Hilti Store** ou à l'adresse : www.hilti.group



4 Caractéristiques techniques



Les données de tension nominale, courant nominal, fréquence et / ou consommation nominale figurent sur la plaque signalétique spécifique au pays.

En cas d'utilisation avec un groupe électrogène ou un transformateur, leur puissance d'alimentation doit être au moins égale au double de la puissance indiquée sur la plaque signalétique de l'appareil. La tension de service du groupe électrogène ou du transformateur doit être toujours comprise entre +5 % et -15 % par rapport à la tension nominale de l'appareil.

	DWS 225
Poids selon la procédure EPTA 01	3,5 kg
Vitesse de rotation	4.000 tr/min ... 8.000 tr/min (66,7 Hz ... 133,3 Hz)
Course excentrique	5 mm
Diamètre du plateau de ponçage	225 mm

5 Utilisation de rallonges électriques

Utilisation de rallonges électriques



AVERTISSEMENT

Danger engendré par un câble endommagé ! Si le câble d'alimentation réseau ou de rallonge est endommagé pendant le travail, ne pas le toucher. Débrancher la prise.

- ▶ Contrôler régulièrement les câbles de raccordement de l'appareil et les faire remplacer par un spécialiste s'ils sont endommagés.
- Utiliser uniquement des rallonges homologuées pour le domaine d'utilisation concerné et de section suffisante. Sinon, une perte de puissance de l'appareil et une surchauffe du câble risquent de se produire.
- Vérifier régulièrement l'état de la rallonge électrique.
- Remplacer les rallonges électriques endommagées.
- À l'extérieur, n'utiliser que des rallonges homologuées et dotées du marquage adéquat.



Les sections minimales recommandées et les longueurs maximales de câbles se trouvent à la fin de la présente documentation, sous forme de code QR.

6 Préparatifs



ATTENTION

Risque de blessures ! Mise en marche inopinée du produit.

- ▶ Retirer la fiche de la prise avant d'effectuer des réglages sur l'appareil ou de changer les accessoires.

Bien respecter les consignes de sécurité et les avertissements de la présente documentation ainsi que celles figurant sur le produit.

6.1 Mise en place du disque abrasif



L'appareil électrique, le disque abrasif et le plateau de ponçage constituent un système. Veiller à utiliser la combinaison et le réglage d'appareil appropriés pour l'application.

Le choix du disque abrasif (grain), de la vitesse de rotation et de la pression d'appui détermine le rendement d'abrasion et l'aspect du ponçage.

1. Débrancher la fiche de la prise.
2. Choisir un disque abrasif approprié et le fixer sur le plateau de ponçage. Vérifier que le disque abrasif est correctement centré et qu'il repose fermement sur le plateau de ponçage.



7 Travail

AVERTISSEMENT

Danger engendré par un câble endommagé ! Si le câble d'alimentation ou de rallonge est endommagé en cours de travail, débrancher immédiatement l'appareil et le câble du réseau. Ne pas toucher aux pièces défectueuses !

- ▶ Contrôler régulièrement les câbles de branchement. Remplacer les câbles de rallonge défectueux. Les câbles d'alimentation défectueux doivent être remplacés par un professionnel agréé.

Par principe, il est recommandé d'utiliser un interrupteur de protection contre les courants de court-circuit (RCD) avec un courant de déclenchement maximal de 30 mA.

7.1 Mise en marche

- ▶ Appuyer sur le bouton marche/arrêt.
 - ▶ La LED polyvalente s'allume en vert.



Attention ! L'appareil électrique développe déjà un couple de rotation au démarrage.

Dans la mesure du possible, toujours utiliser l'appareil électrique avec un aspirateur de chantier.

7.2 Ponçage

1. Régler la vitesse de rotation souhaitée. Pour cela, actionner les boutons "Augmentation/réduction de la vitesse de rotation".
 - ▶ La vitesse de rotation peut être adaptée sur une plage de 4 000 à 8 000 tr/min. La vitesse de rotation réglée est indiquée par des LED.
2. Poser l'appareil électrique avec toute la surface de ponçage sur la surface à travailler.
3. Appuyer sur le bouton marche/arrêt.
 - ▶ Le processus de ponçage commence
4. Déplacer l'appareil électrique sur la surface à travailler en exerçant une pression modérée.

7.3 Terminer le processus de ponçage

1. Retirer l'outil électroportatif de la surface à travailler avant de mettre fin au processus de ponçage.
 - ▶ Sinon, une vitesse trop élevée du papier abrasif pourrait faire apparaître des sillons sur la vitesse traitée.
2. Appuyer sur le bouton marche/arrêt.

7.4 Arrêt

1. Appuyer sur le bouton marche/arrêt.
2. Ne déposer l'appareil électrique que lorsque le plateau de ponçage ne tourne plus.

8 Nettoyage et entretien

AVERTISSEMENT

Danger d'électrocution ! Les travaux de nettoyage et d'entretien effectués avec fiche branchée à la prise peuvent entraîner de graves blessures ou brûlures.

- ▶ Toujours retirer la fiche de la prise avant tous travaux de nettoyage et d'entretien !

Nettoyage

- Éliminer prudemment les saletés récalcitrantes.
- Nettoyer les ouïes d'aération avec précaution au moyen d'une brosse sèche.
- Nettoyer le boîtier uniquement avec un chiffon légèrement humidifié. Ne pas utiliser de nettoyeurs à base de silicone, ceci pourrait attaquer les pièces en plastique.



Entretien**⚠ AVERTISSEMENT**

Risque d'électrocution ! Des réparations inappropriées sur des composants électriques peuvent entraîner de graves blessures corporelles et brûlures.

- ▶ Toute réparation des pièces électriques ne doit être effectuée que par un électricien qualifié.
- Vérifier régulièrement qu'aucune pièce visible n'est endommagée et que les organes de commande sont parfaitement opérationnels.
- En cas d'endommagements et/ou de dysfonctionnements, ne pas utiliser le produit. Le faire immédiatement réparer par le S.A.V. **Hilti**.
- Après des travaux de nettoyage et d'entretien, vérifier si tous les équipements de protection sont bien en place et fonctionnent parfaitement.



Pour une utilisation en toute sécurité, utiliser uniquement des pièces de rechange et consommables d'origine. Vous trouverez les pièces de rechange, consommables et accessoires autorisés convenant pour votre produit dans le centre **Hilti Store** ou sous : **www.hilti.group**.

8.1 Groupes d'assemblage pour le montage

- | | |
|--|---|
| <ul style="list-style-type: none"> ① Groupe d'assemblage pour broches et paliers ② Tête de meulage | <ul style="list-style-type: none"> ③ Vis de fixation de la tête de meulage ④ Cache-vis ⑤ Plateau de ponçage avec vis de fixation |
|--|---|

8.2 Remplacement du plateau de ponçage

Outils nécessaires : douille six pans creux 19 mm et tournevis Torx.

1. Débrancher la fiche de la prise.
2. Enlever le capuchon de vis.
3. Dévisser la vis du plateau de ponçage.
4. Retirer l'ancien plateau de ponçage.
5. Monter le nouveau plateau de ponçage en l'alignant correctement sur la broche.
6. Serrer la vis du plateau de ponçage avec la douille six pans creux au couple de 10 Nm.
7. Reposer le capuchon de vis.
 - ▶ Serrer la vis de fixation du capuchon de vis au couple de 0,8 Nm.
8. Contrôler si le plateau de ponçage est correctement monté et qu'il n'est pas incliné.

8.3 Remplacement du plateau de ponçage et du support

Outils nécessaires : tournevis plat.

1. Débrancher la fiche de la prise.
2. Enlever les 8 vis creuses.
3. Enlever le support.
4. Retirer l'ancien plateau de ponçage.
5. Monter le nouveau plateau de ponçage en l'alignant correctement sur la broche.
6. Fixer un nouveau support.
 - ▶ Remettre en place les 8 vis creuses.
7. Vérifier que le plateau de ponçage et le support sont montés correctement et ne se coincent pas.

9 Transport et entreposage**Transport**

- ▶ Veiller à le tenir fermement pendant le transport.
- ▶ Vérifier après chaque transport qu'aucune pièce visible n'est endommagée et que les organes de commande sont parfaitement opérationnels.

Stockage

- ▶ Toujours stocker l'appareil avec la fiche secteur débranchée.
- ▶ Stocker cet appareil à l'état sec hors de portée des enfants et des personnes non autorisées.



- ▶ Vérifier après un stockage prolongé qu'aucune pièce visible n'est endommagée et que les organes de commande sont parfaitement opérationnels.

10 Aide au dépannage

Défaillance	Causes possibles	Solution
La LED polyvalente clignote en alternance en rouge et vert.	L'appareil est branché sur une prise dont la tension est incorrecte.	▶ Brancher l'appareil sur une prise de courant dont la tension correspond à la tension nominale de la machine.
La LED polyvalente ne s'allume pas à la mise en marche.	Le câble d'alimentation n'est pas correctement branché sur l'appareil ou la prise de courant.	▶ Brancher correctement le câble.
La LED polyvalente de la ponceuse s'allume en rouge, la vitesse de rotation diminue légèrement.	La pression appliquée sur l'appareil est brièvement trop élevée.	▶ Réduire la pression exercée sur l'appareil et la LED polyvalente repasse automatiquement au vert.
La LED polyvalente de la ponceuse est allumée en rouge et la vitesse de rotation de l'appareil diminue pendant le processus de ponçage à 4 000 tr/min.	La température dans la ponceuse est trop élevée. La pression appliquée sur l'appareil est trop élevée pendant une période prolongée.	▶ Réduire pendant un moment la pression exercée sur la ponceuse et la vitesse de rotation de l'appareil augmente à nouveau.
Le joint d'étanchéité du plateau de ponçage ne fonctionne pas.	Joint d'étanchéité usé ou palier de broche défectueux.	▶ Contrôler le joint d'étanchéité ou le palier de broche et les remplacer si nécessaire.
La ponceuse s'est arrêtée et la LED polyvalente est allumée en rouge.	L'outil est en mode de sécurité en raison de la température élevée.	▶ Attendre que l'outil soit refroidi.

11 Recyclage

Les appareils **Hilti** sont fabriqués pour une grande partie en matériaux recyclables. Le recyclage présuppose un tri adéquat des matériaux. **Hilti** reprend les appareils usagés dans de nombreux pays en vue de leur recyclage. Consulter le service clients **Hilti** ou un conseiller commercial.



- ▶ Ne pas jeter les appareils électriques, électroniques et accus dans les ordures ménagères !

12 Garantie constructeur

- ▶ En cas de questions sur les conditions de garantie, veuillez vous adresser à votre partenaire **Hilti** local.

13 Informations complémentaires

Des informations complémentaires concernant l'utilisation, la technique, l'environnement et le recyclage sont disponibles sous le lien ci-dessous : qr.hilti.com/manual/?id=2301587

Ce lien figure également à la fin de la documentation sous forme de code QR.



Manual de instrucciones original

1 Información sobre la documentación

1.1 Acerca de esta documentación

- Lea detenidamente esta documentación antes de la puesta en servicio. Ello es imprescindible para un trabajo seguro y un manejo sin problemas.
- Respete las indicaciones de seguridad y las advertencias presentes en esta documentación y en el producto.
- Conserve este manual de instrucciones siempre junto con el producto y entregue el producto a otras personas siempre acompañado del manual.

1.2 Explicación de símbolos

1.2.1 Avisos

Las advertencias de seguridad advierten de peligros derivados del manejo del producto. Se utilizan las siguientes palabras de peligro:



PELIGRO

PELIGRO !

- ▶ Término utilizado para un peligro inminente que puede ocasionar lesiones graves o incluso la muerte.



ADVERTENCIA

ADVERTENCIA !

- ▶ Término utilizado para un posible peligro que puede ocasionar lesiones graves o incluso la muerte.



PRECAUCIÓN

PRECAUCIÓN !

- ▶ Término utilizado para una posible situación peligrosa que puede ocasionar lesiones o daños materiales.

1.2.2 Símbolos en la documentación

En esta documentación se utilizan los siguientes símbolos:

	Leer el manual de instrucciones antes del uso
	Indicaciones de uso y demás información de interés
	Manejo con materiales reutilizables
	No tirar las herramientas eléctricas y las baterías junto con los desperdicios domésticos

1.2.3 Símbolos en las figuras

En las figuras se utilizan los siguientes símbolos:

2	Estos números hacen referencia a la figura correspondiente incluida al principio de este manual
3	La numeración describe el orden de los pasos de trabajo en la imagen y puede ser diferente de los pasos descritos en el texto
11	Los números de posición se utilizan en la figura Vista general y los números de la leyenda están explicados en el apartado Vista general del producto
	Preste especial atención a este símbolo cuando utilice el producto.

1.3 Símbolos de productos

1.3.1 Símbolos en el producto

En el producto se pueden utilizar, de forma adicional, los siguientes símbolos:



	Utilizar protección para los ojos
	Utilizar protección para los oídos
	Utilizar guantes de protección
	Utilizar mascarilla ligera
	Clase de protección II (aislamiento doble)
\emptyset	Diámetro
/min	Revoluciones por minuto
RPM	Revoluciones por minuto

1.4 Información del producto

Los productos han sido diseñados para usuarios profesionales y solo personal autorizado y debidamente formado puede utilizarlos y llevar a cabo su mantenimiento y conservación. Este personal debe estar especialmente instruido en lo referente a los riesgos de uso. La utilización del producto y sus dispositivos auxiliares puede conllevar riesgos para el usuario en caso de manejarse de forma inadecuada por personal no cualificado o utilizarse para usos diferentes a los que están destinados.

La denominación del modelo y el número de serie están indicados en la placa de identificación.

- ▶ Escriba el número de serie en la siguiente tabla. Necesitará los datos del producto para realizar consultas a nuestros representantes o al Departamento de Servicio Técnico.

Datos del producto

Lijadora aleatoria orbital	DWS 225
Generación:	01
Número de serie:	

1.5 Declaración de conformidad

Bajo nuestra exclusiva responsabilidad, declaramos que el producto aquí descrito cumple con las directivas y normas vigentes. Encontrará una reproducción del organismo certificador al final de esta documentación. La documentación técnica se encuentra depositada aquí:

Hilti Entwicklungsgesellschaft mbH | Zulassung Geräte | Hiltistraße 6 | 86916 Kaufering, DE

2 Seguridad

2.1 Indicaciones generales de seguridad para herramientas eléctricas

⚠ ADVERTENCIA Lea con atención todas las indicaciones de seguridad, instrucciones, ilustraciones y datos técnicos correspondientes a esta herramienta eléctrica. La negligencia en el cumplimiento de las instrucciones que se describen a continuación podría provocar descargas eléctricas, incendios o lesiones graves.

Conserve todas las instrucciones e indicaciones de seguridad para futuras consultas.

El término «herramienta eléctrica» empleado en las indicaciones de seguridad se refiere a herramientas eléctricas portátiles, ya sea con cable de red o sin cable, en caso de ser accionadas por batería.

Seguridad en el puesto de trabajo

- ▶ **Mantenga su área de trabajo limpia y bien iluminada.** El desorden o una iluminación deficiente de las zonas de trabajo pueden provocar accidentes.
- ▶ **No utilice la herramienta eléctrica en un entorno con peligro de explosión en el que se encuentren líquidos, gases o polvos inflamables.** Las herramientas eléctricas producen chispas que pueden llegar a inflamar los materiales en polvo o vapores.
- ▶ **Mantenga alejados a los niños y otras personas de su puesto de trabajo al emplear la herramienta eléctrica.** Una distracción le puede hacer perder el control sobre la herramienta.



Seguridad eléctrica

- ▶ **El enchufe de la herramienta eléctrica debe corresponder a la toma de corriente utilizada. No se deberá modificar el enchufe en forma alguna. No utilice enchufes adaptadores para las herramientas eléctricas con puesta a tierra.** Los enchufes sin modificar adecuados a las respectivas tomas de corriente reducen el riesgo de descarga eléctrica.
- ▶ **Evite el contacto corporal con superficies que tengan puesta a tierra, como pueden ser tubos, calefacciones, cocinas y frigoríficos.** El riesgo a quedar expuesto a una sacudida eléctrica es mayor si su cuerpo tiene contacto con tierra.
- ▶ **No exponga las herramientas eléctricas a la lluvia y evite que penetren líquidos en su interior.** El riesgo de recibir descargas eléctricas aumenta si penetra agua en la herramienta eléctrica.
- ▶ **No utilice el cable de conexión para transportar o colgar la herramienta eléctrica ni tire de él para extraer el enchufe de la toma de corriente. Mantenga el cable de conexión alejado de fuentes de calor, aceite, aristas afiladas o piezas móviles.** Los cables de conexión dañados o enredados pueden provocar descargas eléctricas.
- ▶ **Cuando trabaje al aire libre con una herramienta eléctrica, utilice exclusivamente un alargador adecuado para exteriores.** La utilización de un alargador adecuado para su uso en exteriores evita el riesgo de una descarga eléctrica.
- ▶ **Cuando no pueda evitarse el uso de la herramienta eléctrica en un entorno húmedo, utilice un interruptor de corriente de defecto.** La utilización de un interruptor de corriente de defecto evita el riesgo de una descarga eléctrica.

Seguridad de las personas

- ▶ **Permanezca atento, preste atención durante el trabajo y utilice la herramienta eléctrica con prudencia. No utilice una herramienta eléctrica si está cansado, ni tampoco después de haber consumido alcohol, drogas o medicamentos.** Un momento de descuido al utilizar la herramienta eléctrica podría producir graves lesiones.
- ▶ **Utilice el equipo de seguridad personal adecuado y lleve siempre gafas protectoras.** El riesgo de lesiones se reduce considerablemente si, según el tipo y la aplicación de la herramienta eléctrica empleada, se utiliza un equipo de seguridad personal adecuado como una mascarilla antipolvo, zapatos de seguridad con suela antideslizante, casco de protección o protección para los oídos.
- ▶ **Evite una puesta en servicio fortuita de la herramienta. Asegúrese de que la herramienta eléctrica está apagada antes de alzarla, transportarla, conectarla a la toma de corriente o insertar la batería.** Si transporta la herramienta eléctrica sujetándola por el interruptor de conexión/desconexión o si introduce el enchufe en la toma de corriente con la herramienta conectada, podría producirse un accidente.
- ▶ **Retire las herramientas de ajuste o llaves fijas antes de conectar la herramienta eléctrica.** Una herramienta o llave colocada en una pieza giratoria puede producir lesiones al ponerse en funcionamiento.
- ▶ **Evite adoptar posturas forzadas. Procure que la postura sea estable y manténgase siempre en equilibrio.** De esta forma podrá controlar mejor la herramienta eléctrica en caso de presentarse una situación inesperada.
- ▶ **Utilice ropa adecuada. No utilice vestimenta amplia ni joyas. Mantenga su pelo, vestimenta y guantes alejados de las piezas móviles.** La vestimenta suelta, las joyas y el pelo largo se pueden enganchar con las piezas en movimiento.
- ▶ **Siempre que sea posible montar equipos de aspiración o captación de polvo, asegúrese de que están conectados y de que se utilizan correctamente.** El uso de un sistema de aspiración de polvo reduce los riesgos derivados del polvo.
- ▶ **No se crea a salvo de cualquier riesgo ni pase por alto ninguna de las normas de seguridad relativas a las herramientas eléctricas, aun cuando esté familiarizado con la herramienta eléctrica y tenga larga experiencia en su uso.** Una actuación negligente puede provocar lesiones graves en cuestión de segundos.

Uso y manejo de la herramienta eléctrica

- ▶ **No sobrecargue la herramienta. Utilice la herramienta eléctrica adecuada para el trabajo que se dispone a realizar.** Con la herramienta eléctrica apropiada podrá trabajar mejor y de modo más seguro dentro del margen de potencia indicado.
- ▶ **No utilice herramientas eléctricas con el interruptor defectuoso.** Las herramientas eléctricas que no se puedan conectar o desconectar son peligrosas y deben repararse.
- ▶ **Extraiga el enchufe de la toma de corriente o retire la batería extraíble antes de efectuar cualquier ajuste en la herramienta, cambiar accesorios o en caso de no utilizar la herramienta durante un tiempo prolongado.** Esta medida preventiva evita el riesgo de arranque accidental de la herramienta eléctrica.
- ▶ **Guarde las herramientas eléctricas que no utilice fuera del alcance de los niños. No permita utilizar la herramienta a ninguna persona que no esté familiarizada con ella o que no haya leído**



este manual de instrucciones. Las herramientas eléctricas utilizadas por personas inexpertas son peligrosas.

- ▶ **Cuide su herramienta eléctrica y los accesorios adecuadamente. Compruebe si las piezas móviles de la herramienta funcionan correctamente y sin atascarse, y si existen piezas rotas o deterioradas que pudieran afectar al funcionamiento de la herramienta eléctrica. Encargue la reparación de las piezas defectuosas antes de usar la herramienta eléctrica.** Muchos accidentes son consecuencia de un mantenimiento inadecuado de la herramienta eléctrica.
- ▶ **Mantenga los útiles limpios y afilados.** Las herramientas de corte bien cuidadas y con aristas afiladas se atascan menos y se guían con más facilidad.
- ▶ **Utilice la herramienta eléctrica, los accesorios, útiles de inserción, etc., de acuerdo con estas instrucciones. Para ello, tenga en cuenta las condiciones de trabajo y la tarea que se va a realizar.** El uso de herramientas eléctricas para trabajos diferentes de aquellos para los que han sido concebidas puede resultar peligroso.
- ▶ **Mantenga las empuñaduras y las superficies de contacto secas, limpias y sin residuos de aceite o grasa.** Las empuñaduras y superficies de contacto resbaladizas impiden manejar y controlar la herramienta eléctrica con seguridad en situaciones imprevistas.

Servicio Técnico

- ▶ **Solicite que un profesional lleve a cabo la reparación de su herramienta eléctrica y que utilice exclusivamente piezas de repuesto originales.** Solamente así se garantiza la seguridad de la herramienta eléctrica.

2.2 Indicaciones de seguridad para lijadoras de banda y para rectificadoras de tambor

- ▶ **Sujete la herramienta eléctrica por las empuñaduras aisladas, ya que la superficie de lijado puede golpear su propio cable de conexión.** Si un cable conductor resulta dañado, se puede traspasar la conductividad a las partes metálicas de la herramienta y producir descargas eléctricas.

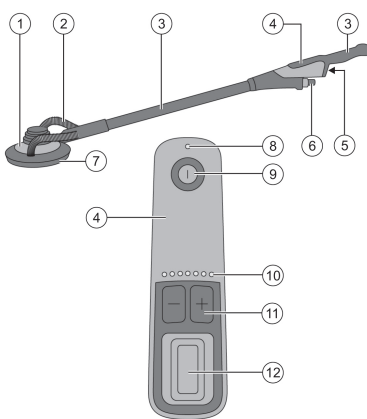
2.3 Indicaciones de seguridad adicionales

- ▶ Utilice la herramienta eléctrica solo si está en perfecto estado técnico.
- ▶ No efectúe nunca manipulaciones o modificaciones en la herramienta eléctrica.
- ▶ La herramienta eléctrica no es apta para su uso por parte de personas que no hayan recibido la instrucción necesaria para ello. Mantenga la herramienta eléctrica fuera del alcance de los niños.
- ▶ Sujete siempre la herramienta eléctrica con ambas manos por las empuñaduras previstas. Mantenga las empuñaduras secas, limpias y sin residuos de aceite o grasa.
- ▶ Una vez montado el disco abrasivo, coloque siempre la tapa atornillada.
- ▶ Compruebe periódicamente que herramienta eléctrica, el disco abrasivo, el cable de red y las conexiones no presenten signos de desgaste.
- ▶ Compruebe con regularidad el cable de conexión de la herramienta eléctrica y, en caso de que presentara daños, encargue su sustitución a un profesional experto en la materia.
- ▶ Inspeccione regularmente los alargadores y sustitúyalos en caso de que estuvieran dañados. Si se daña el cable de red o el alargador durante el trabajo, evite tocar el cable. Extraiga el enchufe de red de la toma de corriente.
- ▶ Si se produce una interrupción de la corriente, desconecte la herramienta eléctrica y extraiga el enchufe de red para evitar que se ponga en marcha accidentalmente cuando vuelva la corriente.



3 Descripción

3.1 Vista general del producto 1



- ① Cabezal de rectificación
- ② Aspiración
- ③ Superficies de agarre
- ④ Panel de control
- ⑤ Conexión del cable de red
- ⑥ Conexión de la manguera
- ⑦ Disco abrasivo
- ⑧ LED multifuncional
- ⑨ Tecla de encendido/apagado
- ⑩ Indicación de la velocidad
- ⑪ Aumentar/reducir la velocidad
- ⑫ Tecla de arranque/parada

3.2 Uso conforme a las prescripciones

El producto es una lijadora aleatoria orbital eléctrica de guiado manual. Es adecuada para el lijado en seco de madera, materiales de madera, materiales compuestos, barnices, pinturas, plásticos, yesos y masillas mediante el uso de materiales abrasivos recambiables.

3.3 Posibles usos indebidos

- Este producto no está indicado para el tratamiento de materiales nocivos para la salud.
- Este producto no es apropiado para su uso en entornos húmedos y no debe utilizarse para operaciones de rectificación en húmedo.
- No deben utilizarse discos abrasivos con velocidad de trabajo inferior a 8000 rpm.

3.4 Indicadores LED en el panel de control 2

En el panel de control hay un LED multifuncional que muestra el estado o los posibles fallos de la herramienta eléctrica, así como varios LED para indicar la velocidad (rpm).

Estado	Significado
A: el LED multifuncional se enciende en verde	Alimentación de tensión conectada.
B: el LED multifuncional se enciende en verde	Herramienta encendida y/o tecla de arranque/parada accionada, indicador de velocidad activo.
C: el LED multifuncional parpadea en verde/rojo	Se aumenta/se reduce la velocidad, los LED muestran la velocidad seleccionada.
D: el LED multifuncional se enciende en rojo	Advertencia de exceso de temperatura.
D: el LED multifuncional parpadea rápidamente en verde/rojo	Tensión fuera del rango permitido.

3.5 Cabezal de rectificación 3

El cabezal de rectificación, con una flexibilidad de 180°, permite alcanzar la superficie desde distintos ángulos. La herramienta eléctrica puede seguir los movimientos del usuario, lo que le permite a este adoptar una posición de trabajo ergonómica.

3.6 Suministro

Lijadora aleatoria orbital, manual de instrucciones.



Encontrará otros productos del sistema autorizados para su producto en su **Hilti Store** o en Internet, en: www.hilti.group

4 Datos técnicos

La tensión nominal, la intensidad nominal, la frecuencia y/o la potencia nominal figuran en la placa de identificación específica del país.

Si se utiliza con un generador o transformador, la potencia útil debe ser al menos el doble de la potencia nominal indicada en la placa de identificación de la herramienta. La tensión de servicio del transformador o del generador debe encontrarse en todo momento entre un +5 % y un -15 % de la tensión nominal de la herramienta.

	DWS 225
Peso según procedimiento EPTA 01	3,5 kg
Velocidad	4.000 rpm ... 8.000 rpm (66,7 Hz ... 133,3 Hz)
Almohadilla de pulido	5 mm
Diámetro del disco abrasivo	225 mm

5 Uso de alargadores

Uso de alargadores

ADVERTENCIA

Peligro por los cables dañados. Si se daña el cable de red o el alargador durante el trabajo, evitar tocar el cable. Extraer el enchufe de red de la toma de corriente.

- ▶ Compruebe con regularidad el cable de conexión de la herramienta y, en caso de que presentara daños, encargue su sustitución a un profesional experto en la materia.
- Utilice solo alargadores autorizados con sección de cable suficiente para el campo de aplicación. De lo contrario, puede generarse una pérdida de potencia de la herramienta y un sobrecalentamiento del cable.
- Compruebe regularmente que el alargador no haya sufrido daños.
- Sustituir los alargadores dañados.
- Al trabajar al aire libre, utilice únicamente alargadores autorizados que estén correspondientemente identificados.

Al final de esta documentación encontrará, en forma de código QR, las secciones mínimas recomendadas y las longitudes máximas del cable.

6 Preparación del trabajo

PRECAUCIÓN

Riesgo de lesiones. Arranque involuntario del producto.

- ▶ Extraiga el enchufe de red antes de realizar ajustes en la herramienta o de cambiar accesorios.

Respete las indicaciones de seguridad y las advertencias presentes en esta documentación y en el producto.

6.1 Colocación del material abrasivo

La herramienta eléctrica, el material abrasivo y el disco abrasivo constituyen un sistema. Asegúrese utilizar la combinación y la configuración de la herramienta adecuadas para la aplicación en cuestión. La selección del abrasivo (en grano), la velocidad y la presión de apriete determinan la potencia de arranque y el patrón de rectificado.

1. Extraiga el enchufe de red de la toma de corriente.



2. Seleccione un material abrasivo apropiado y fjelo al disco abrasivo. Asegúrese de que el material abrasivo esté correctamente centrado y firmemente asentado en el disco abrasivo.

7 Procedimiento de trabajo

ADVERTENCIA

Peligro por cables dañados. Si durante el trabajo se daña el cable de red o el alargador, desenchufe inmediatamente la herramienta y el cable de la red. Evite tocar el punto donde se haya producido el daño.

- ▶ Compruebe regularmente todos los cables de conexión. Sustituya los alargadores defectuosos. Encargue a un profesional experto en la materia la sustitución de los cables de red dañados.
-

Se recomienda el uso de un interruptor de corriente de defecto (RCD) con una corriente de desconexión máxima de 30 mA.

7.1 Conexión

- ▶ Pulse la tecla de encendido/apagado.
 - ▶ El LED multifuncional se ilumina en verde.
-



¡ATENCIÓN! La herramienta eléctrica empieza a desarrollar su par de giro ya durante el arranque. Siempre que sea posible, utilice la herramienta eléctrica de forma conjunta con un aspirador de obra.

7.2 Lijado

1. Ajuste la velocidad deseada. Para ello, accione la tecla de aumento o reducción de velocidad.
 - ▶ La velocidad puede adaptarse en un rango de 4000 a 8000 rpm. La velocidad ajustada se muestra en los LED de indicación.
2. Coloque la herramienta eléctrica con la superficie de lijado totalmente en contacto con la superficie que se desee trabajar.
3. Pulse la tecla de arranque/parada.
 - ▶ Comienza el proceso de lijado
4. Desplace la herramienta eléctrica por la superficie que se desee trabajar ejerciendo una presión moderada.

7.3 Finalizar el proceso de lijado

1. Retire la herramienta eléctrica de la superficie de trabajo antes de finalizar el proceso de lijado.
 - ▶ De no hacerlo así, la elevada velocidad del papel de lija podría causar ranuras en la superficie de trabajo.
2. Pulse la tecla de arranque/parada.

7.4 Desconexión

1. Pulse la tecla de encendido/apagado.
2. Coloque la herramienta eléctrica solo cuando el disco abrasivo haya dejado de girar.

8 Cuidado y mantenimiento

ADVERTENCIA

Peligro de descarga eléctrica. La realización de tareas de cuidado y mantenimiento con el enchufe conectado a la toma de corriente de puede provocar lesiones y quemaduras graves.

- ▶ Extraiga siempre el enchufe de la toma de corriente antes de realizar cualquier tarea de cuidado y mantenimiento.
-

Cuidado

- Retire con cuidado la suciedad fuertemente adherida.
- Limpie cuidadosamente las rejillas de ventilación con un cepillo seco.
- Limpie la carcasa utilizando únicamente un paño ligeramente humedecido. No utilice limpiadores que contengan silicona, ya que podría afectar a las piezas de plástico.



Mantenimiento

ADVERTENCIA

Riesgo de descarga eléctrica. Las reparaciones indebidas en componentes eléctricos pueden producir lesiones graves y quemaduras.

- ▶ Las reparaciones de la parte eléctrica sólo puede llevarlas a cabo un técnico electricista cualificado.
- Compruebe con regularidad si las piezas visibles están dañadas o si los elementos de manejo funcionan correctamente.
- No utilice el producto si presenta daños o fallos que afecten al funcionamiento. Llévela de inmediato al Servicio Técnico de **Hilti** para que la reparen.
- Coloque todos los dispositivos de protección después de las tareas de cuidado y mantenimiento y compruebe su correcto funcionamiento.



Para garantizar un correcto funcionamiento, utilice exclusivamente piezas de repuesto y material de consumo originales. Puede encontrar piezas de repuesto, consumibles y accesorios para su producto que nosotros mismos comercializamos en **Hilti Store** o en: www.hilti.group.

8.1 Módulos de montaje

- | | | | |
|---|--|---|--|
| ① | Módulo de husillo y de cojinete | ④ | Tornillo de la tapa de cubierta |
| ② | Cabezal de rectificad | ⑤ | Disco abrasivo con tornillos de fijación |
| ③ | Tornillo de fijación del cabezal de rectificad | | |

8.2 Cambio del disco abrasivo

Herramientas necesarias: llave de vaso hexagonal de 19 mm y destornillador Torx.

1. Extraiga el enchufe de red de la toma de corriente.
2. Retire la tapa atornillada.
3. Quite los tornillos del disco abrasivo.
4. Retire el disco abrasivo antiguo.
5. Monte el nuevo disco abrasivo correctamente alineado en el husillo.
6. Con la llave de vaso hexagonal, apriete los tornillos del disco abrasivo a un par de 10 Nm.
7. Coloque la tapa atornillada.
 - ▶ Apriete el tornillo de fijación de la tapa atornillada a un par de 0,8 Nm.
8. Compruebe si el disco abrasivo está correctamente montado y no está inclinado.

8.3 Sustituir el disco abrasivo y el soporte

Herramienta necesaria: destornillador de punta plana.

1. Extraiga el enchufe de red de la toma de corriente.
2. Retire los 8 tornillos de sus orificios.
3. Retire el soporte.
4. Retire el disco abrasivo antiguo.
5. Monte el nuevo disco abrasivo correctamente alineado en el husillo.
6. Fije un nuevo soporte.
 - ▶ Vuelva a colocar los 8 tornillos en los orificios.
7. Compruebe que el disco abrasivo y el soporte estén correctamente montados y no queden ladeados.

9 Transporte y almacenamiento

Transporte

- ▶ Asegúrese de que durante el transporte esté bien sujeto.
- ▶ Compruebe tras cada transporte si las piezas visibles están dañadas o si los elementos de manejo funcionan correctamente.

Almacenamiento

- ▶ Almacene este producto siempre con los enchufes desconectados.
- ▶ Guarde este producto en un lugar seco y fuera del alcance de niños y personas no autorizadas.



- ▶ Cuando lleve mucho tiempo almacenado, compruebe si las piezas visibles están dañadas y si los elementos de manejo funcionan correctamente.

10 Ayuda sobre averías

Anomalía	Posible causa	Solución
El LED multifuncional parpadea alternativamente en rojo y verde.	La herramienta está conectada a una toma de corriente con una tensión no apropiada.	▶ Conecte la herramienta a una toma de corriente que se corresponda con la tensión nominal de la máquina.
El LED multifuncional no se enciende al arrancar la herramienta.	El cable de tensión no está correctamente conectado a la herramienta o a la toma de corriente.	▶ Conecte el cable correctamente.
El LED multifuncional de la lijadora se enciende en rojo y la velocidad se reduce ligeramente.	La presión ejercida en la herramienta es demasiado elevada durante un momento.	▶ Ejercer menos presión sobre la herramienta y el LED multifuncional volverá a encenderse automáticamente en verde.
El LED multifuncional de la máquina de lijado se enciende en rojo y la velocidad del aparato se reduce a 4000 rpm durante el proceso de lijado.	La temperatura de la lijadora es excesiva. La presión ejercida sobre la herramienta es demasiado elevada durante un tiempo prolongado.	▶ Reduzca momentáneamente la presión ejercida sobre la lijadora y volverá a aumentar su velocidad.
No funciona la junta del disco abrasivo.	Junta desgastada o cojinete de husillo defectuoso.	▶ Compruebe la junta o el cojinete de husillo; en caso necesario, sustítúyalos.
La lijadora se ha detenido y el LED multifuncional se enciende en rojo.	Debido a la elevada temperatura, la herramienta se encuentra en modo de seguridad.	▶ Espere a que se enfríe la herramienta.

11 Reciclaje

Las herramientas Hilti están fabricadas en su mayor parte con materiales reutilizables. La condición para dicha reutilización es una separación adecuada de los materiales. En muchos países, Hilti recoge las herramientas usadas para su recuperación. Pregunte en el Servicio de Atención al Cliente de Hilti o a su asesor de ventas.



- ▶ No deseche las herramientas eléctricas, los aparatos eléctricos ni las baterías junto con los residuos domésticos.

12 Garantía del fabricante

- ▶ Si tiene alguna consulta acerca de las condiciones de la garantía, póngase en contacto con su sucursal local de Hilti.

13 Más información

Encontrará información adicional sobre manejo, técnica, medio ambiente y reciclaje en el siguiente enlace: qr.hilti.com/manual/?id=2301587

Encontrará este enlace también al final de la documentación como código QR.



Manual de instruções original

1 Indicações sobre a documentação

1.1 Sobre esta documentação

- Antes da colocação em funcionamento, leia esta documentação. Esta é a condição para um trabalho seguro e um manuseamento sem problemas.
- Tenha em atenção as instruções de segurança e as advertências nesta documentação e no produto.
- Guarde o manual de instruções sempre junto do produto e entregue-o a outras pessoas apenas juntamente com este manual.

1.2 Explicação dos símbolos

1.2.1 Advertências

As advertências alertam para perigos durante a utilização do produto. São utilizadas as seguintes palavras de aviso:

PERIGO

PERIGO !

- ▶ Indica perigo iminente que pode originar acidentes pessoais graves ou até mesmo fatais.

AVISO

AVISO !

- ▶ Indica um possível perigo que pode causar graves ferimentos pessoais, até mesmo fatais.





CUIDADO

CUIDADO !

- ▶ Indica uma situação potencialmente perigosa que pode originar ferimentos corporais ou danos materiais.


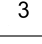
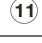

1.2.2 Símbolos na documentação

Nesta documentação são utilizados os seguintes símbolos:

	Leia o manual de instruções antes da utilização
	Instruções de utilização e outras informações úteis
	Manuseamento com materiais recicláveis
	Não deitar as ferramentas eléctricas e baterias no lixo doméstico

1.2.3 Símbolos nas figuras

Em figuras são utilizados os seguintes símbolos:

	Estes números referem-se à respectiva imagem no início deste Manual
	A numeração reproduz uma sequência dos passos de trabalho na imagem e pode divergir dos passos de trabalho no texto
	Na figura Vista geral são utilizados números de posição que fazem referência aos números da legenda na secção Vista geral do produto
	Este símbolo pretende despertar a sua atenção durante o manuseamento do produto.

1.3 Símbolos dependentes do produto

1.3.1 Símbolos no produto

No produto podem, adicionalmente, ser usados os seguintes símbolos:



	Use óculos de protecção
	Use protecção auricular
	Use luvas de protecção
	Use máscara antipoeiras
	Classe II de protecção (com duplo isolamento)
\varnothing	Diâmetro
/min	Rotações por minuto
RPM	Rotações por minuto

1.4 Dados informativos sobre o produto

Os produtos destinam-se ao utilizador profissional e só podem ser operados, mantidos e reparados por pessoal autorizado, devidamente qualificado. Estas pessoas deverão estar informadas em particular sobre os potenciais perigos. O produto e seu equipamento auxiliar podem representar perigo se usados incorrectamente por pessoas não qualificadas ou se usados para fins diferentes daqueles para os quais foram concebidos.

A designação e o número de série são indicados na placa de características.

- ▶ Registe o número de série na tabela seguinte. Precisa dos dados do produto para colocar questões ao nosso representante ou posto de serviço de atendimento aos clientes.

Dados do produto

Lixadeira orbital	DWS 225
Geração:	01
N.º de série:	

1.5 Declaração de conformidade

Declaramos sob nossa exclusiva responsabilidade que o produto aqui descrito está em conformidade com as directivas e normas em vigor. Na parte final desta documentação encontra uma reprodução do organismo de certificação.

As documentações técnicas estão aqui guardadas:

Hilti Entwicklungsgesellschaft mbH | Zulassung Geräte | Hiltistraße 6 | 86916 Kaufering, DE

2 Segurança

2.1 Normas de segurança gerais para ferramentas eléctricas

⚠ AVISO Leia todas as normas de segurança, instruções, imagens e dados técnicos, com os quais esta ferramenta eléctrica está equipada. O não cumprimento das instruções a seguir pode resultar em choque eléctrico, incêndio e/ou ferimentos graves.

Guarde bem todas as normas de segurança e instruções para futura referência.

O termo “ferramenta eléctrica” utilizado nas normas de segurança refere-se a ferramentas com ligação à corrente eléctrica (com cabo de alimentação) ou a ferramentas a bateria (sem cabo).

Segurança no posto de trabalho

- ▶ **Mantenha a sua área de trabalho limpa e bem iluminada.** Locais desarrumados ou mal iluminados podem ocasionar acidentes.
- ▶ **Não utilize a ferramenta eléctrica em ambientes explosivos ou na proximidade de líquidos ou gases inflamáveis.** Ferramentas eléctricas produzem faíscas que podem provocar a ignição de pó e vapores.
- ▶ **Mantenha crianças e terceiros afastados durante os trabalhos.** Distacções podem conduzir à perda de controlo sobre a ferramenta.



Segurança eléctrica

- ▶ **A ficha da ferramenta eléctrica deve servir na tomada. A ficha não deve ser modificada de modo algum. Não utilize quaisquer adaptadores com ferramentas eléctricas com ligação terra.** Fichas originais (não modificadas) e tomadas adequadas reduzem o risco de choque eléctrico.
- ▶ **Evite o contacto do corpo com superfícies ligadas à terra, como, por exemplo, canos, radiadores, fogões e frigoríficos.** Existe um risco elevado de choque eléctrico se o corpo estiver com ligação à terra.
- ▶ **As ferramentas eléctricas não devem ser expostas à chuva nem à humidade.** A infiltração de água numa ferramenta eléctrica aumenta o risco de choque eléctrico.
- ▶ **Não use o cabo de ligação para transportar, pendurar ou desligar a ferramenta eléctrica da tomada. Mantenha o cabo de ligação afastado de calor, óleo, arestas vivas ou partes em movimento.** Cabos de ligação danificados ou emaranhados aumentam o risco de choque eléctrico.
- ▶ **Quando operar uma ferramenta eléctrica ao ar livre, utilize apenas cabos de extensão próprios para utilização no exterior.** A utilização de um cabo de extensão próprio para utilização no exterior reduz o risco de choques eléctricos.
- ▶ **Utilize um disjuntor diferencial se não puder ser evitada a utilização da ferramenta eléctrica em ambiente húmido.** A utilização de um disjuntor diferencial reduz o risco de choque eléctrico.

Segurança física

- ▶ **Esteja alerta, observe o que está a fazer, e tenha prudência ao trabalhar com uma ferramenta eléctrica. Se estiver cansado ou sob influência de drogas, álcool ou medicamentos não efectue nenhum trabalho com ferramentas eléctricas.** Um momento de distração ao operar a ferramenta eléctrica pode causar ferimentos graves.
- ▶ **Use equipamento de segurança. Use sempre óculos de protecção.** Equipamento de segurança, como, por exemplo, máscara antipoeiras, sapatos de segurança antiderrapantes, capacete de segurança ou protecção auricular, de acordo com o tipo e aplicação da ferramenta eléctrica, reduzem o risco de lesões.
- ▶ **Evite um arranque involuntário. Assegure-se de que a ferramenta eléctrica está desligada antes de ligar à fonte de alimentação e/ou à bateria, pegar nela ou a transportar.** Transportar a ferramenta eléctrica com o dedo no interruptor ou ligar uma ferramenta à tomada com o interruptor ligado (ON) pode resultar em acidentes.
- ▶ **Remova quaisquer chaves de ajuste (chaves de fenda), antes de ligar a ferramenta eléctrica.** Um acessório ou chave deixado preso numa parte rotativa da ferramenta pode causar ferimentos.
- ▶ **Evite posturas corporais desfavoráveis. Mantenha sempre uma posição correcta, em perfeito equilíbrio.** Desta forma será mais fácil manter o controlo sobre a ferramenta eléctrica em situações inesperadas.
- ▶ **Use roupa apropriada. Não use roupa larga ou jóias. Mantenha o cabelo, vestuário e luvas afastados das peças móveis.** Roupas largas, jóias ou cabelos compridos podem ficar presos nas peças móveis.
- ▶ **Se poderem ser montados sistemas de remoção e de recolha de pó, assegure-se de que estes estão ligados e são utilizados correctamente.** A utilização de um sistema de remoção de pó pode reduzir os perigos relacionados com a exposição ao mesmo.
- ▶ **Não se acomode numa falsa sensação de segurança e não ignore os regulamentos de segurança para ferramentas eléctricas, mesmo se estiver familiarizado com a ferramenta eléctrica após numerosas utilizações.** Agir de forma descuidada pode causar ferimentos graves dentro duma fracção de segundo.

Utilização e manuseamento da ferramenta eléctrica

- ▶ **Não sobrecarregue a ferramenta. Use para o seu trabalho a ferramenta eléctrica correcta.** Com a ferramenta eléctrica adequada obterá maior eficiência e segurança se respeitar os seus limites.
- ▶ **Não utilize a ferramenta eléctrica se o interruptor estiver defeituoso.** Uma ferramenta eléctrica que já não possa ser accionada pelo interruptor é perigosa e deve ser reparada.
- ▶ **Retire a ficha da tomada e/ou remova uma bateria amovível antes de efectuar ajustes na ferramenta, substituir acessórios ou guardar a ferramenta.** Esta medida preventiva evita o accionamento acidental da ferramenta eléctrica.
- ▶ **Guarde ferramentas eléctricas não utilizadas fora do alcance das crianças. Não permita que a ferramenta seja utilizada por pessoas não familiarizadas com a mesma ou que não tenham lido estas instruções.** Ferramentas eléctricas operadas por pessoas não treinadas são perigosas.
- ▶ **Faça uma manutenção regular de ferramentas eléctricas e acessórios. Verifique se as partes móveis funcionam perfeitamente e não emperram ou se há peças quebradas ou danificadas que possam influenciar o funcionamento da ferramenta eléctrica. Peças danificadas devem**



ser reparadas antes da utilização da ferramenta. Muitos acidentes são causados por ferramentas eléctricas com manutenção deficiente.

- ▶ **Mantenha as ferramentas de corte sempre afiadas e limpas.** Acessórios com gumes afiados tratados correctamente emperram menos e são mais fáceis de controlar.
- ▶ **Utilize a ferramenta eléctrica, acessórios, bits, etc., de acordo com estas instruções. Tome também em consideração as condições de trabalho e o trabalho a ser efectuado.** A utilização da ferramenta eléctrica para outros fins além dos previstos, pode ocasionar situações de perigo.
- ▶ **Mantenha punhos e respectivas superfícies secos, limpos e isentos de óleo e gordura.** Punhos e superfícies afins escorregadios não permitem um manuseamento e controlo seguro da ferramenta eléctrica em situações imprevistas.

Manutenção

- ▶ **A sua ferramenta eléctrica só deve ser reparada por pessoal qualificado e só devem ser utilizadas peças sobressalentes originais.** Isto assegurará que a segurança da ferramenta eléctrica se mantenha.

2.2 Normas de segurança para a lixadeira de cinta e lixadeira de tambor

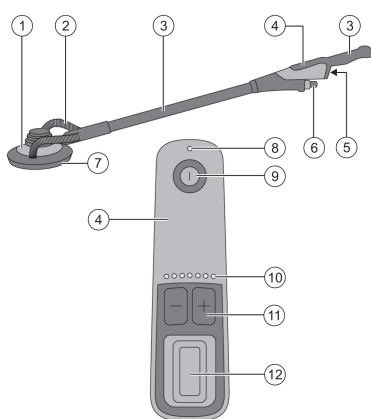
- ▶ **Segure a ferramenta eléctrica pelas áreas isoladas dos punhos, visto que superfície de lixagem pode atingir o próprio cabo de ligação.** A danificação de um cabo sob tensão pode colocar partes metálicas da ferramenta sob tensão e causar um choque eléctrico.

2.3 Normas de segurança adicionais

- ▶ Utilize a ferramenta eléctrica somente se estiver em perfeitas condições técnicas.
- ▶ Nunca efectue quaisquer manipulações ou modificações na ferramenta eléctrica.
- ▶ A ferramenta eléctrica não foi concebida para a utilização por pessoas sem formação. Mantenha a ferramenta eléctrica fora do alcance das crianças.
- ▶ Segure sempre a ferramenta eléctrica com ambas as mãos nos punhos previstos para o efeito. Mantenha os punhos secos, limpos e isentos de óleo e gordura.
- ▶ Após a montagem do prato de rebarbar coloque sempre a tampa de rosca.
- ▶ Verifique regularmente a ferramenta eléctrica, o prato de rebarbar, o cabo de alimentação e as conexões quanto a desgaste.
- ▶ Verifique regularmente o cabo de conexão da ferramenta eléctrica e, em caso de danos, mande substituir por um especialista reconhecido.
- ▶ Verifique as extensões de cabo regularmente. Se estiverem danificadas, deverão ser substituídas. Se danificar o cabo ou a extensão enquanto trabalha, não lhe toque. Retire a ficha de rede da tomada.
- ▶ Em caso de falha eléctrica desligue a ferramenta eléctrica e retire a ficha de rede, de modo a evitar uma colocação inadvertida em funcionamento quando a energia for restabelecida.

3 Descrição

3.1 Vista geral do produto



- ① Cabeça de lixagem
- ② Aspiração
- ③ Áreas do punho
- ④ Painel de controlo
- ⑤ Conexão do cabo de alimentação
- ⑥ União da mangueira
- ⑦ Prato de lixar
- ⑧ LED multiúso
- ⑨ Tecla Ligar/Desligar
- ⑩ Indicador de velocidade
- ⑪ Aumentar / reduzir as rotações
- ⑫ Tecla Start / Stop



3.2 Utilização conforme a finalidade projectada

O produto é uma lixadeira excêntrica eléctrica de utilização manual. Destina-se à lixagem a seco de madeira, materiais de madeira, materiais compostos, vernizes, tintas, plásticos, gessos e betumes através de materiais abrasivos permutáveis que se vão desgastando.

3.3 Possível uso incorrecto

- Este produto não é adequado para trabalhar materiais nocivos para a saúde.
- Este produto não é adequado para trabalhos em ambiente húmido e não deve ser usado para lixagem a húmido.
- Não devem ser usados pratos de rebarbar com uma velocidade de trabalho inferior a 8 000 rpm.

3.4 Indicadores LED no painel de controlo 2

No painel de controlo encontra-se um LED multiúso para estado ou avaria da ferramenta eléctrica e vários LEDs para a indicação da velocidade (rpm).

Estado	Significado
A: LED multiúso acende a verde	Fonte de alimentação ligada.
B: LED multiúso acende a verde	Ferramenta ligada e/ou tecla Start/Stop acionada, indicador de velocidade ativo.
C: LED multiúso pisca a verde / vermelho	As rotações são aumentadas / diminuídas, rotações seleccionadas são indicadas nos LEDs.
D: LED multiúso acende a vermelho	Perigo de temperatura excessiva.
D: LED multiúso pisca rapidamente a verde / vermelho	Tensão fora do intervalo válido.

3.5 Cabeça de lixagem 3

A cabeça de lixagem flexível a 180° permite ao utilizador alcançar a superfície a partir de diversos ângulos. A ferramenta eléctrica consegue seguir os movimentos do utilizador, permitindo-lhe adoptar uma posição de trabalho ergonómica.

3.6 Incluído no fornecimento

Lixadeira excêntrica, manual de instruções.

Poderá encontrar outros produtos de sistema aprovados para o seu produto na sua **Hilti Store** ou em: www.hilti.group

4 Características técnicas



Consulte a tensão nominal, corrente nominal, frequência e/ou potência nominal na sua placa de características específica do país.

Em caso de alimentação por um gerador ou transformador, a respectiva potência de saída deverá ter, no mínimo, o dobro da potência nominal indicada na placa de características da ferramenta. A tensão de serviço do transformador ou gerador deverá encontrar-se sempre entre +5% e -15% da tensão nominal da ferramenta.

	DWS 225
Peso de acordo com o procedimento EPTA 01	3,5 kg
Rotação	4 000 rpm ... 8 000 rpm (66,7 Hz ... 133,3 Hz)
Curso excêntrico	5 mm
Diâmetro do prato de lixar	225 mm




5 Utilização de extensões de cabo

Utilização de extensões de cabo

AVISO

Perigo devido a cabo danificado! Se danificar o cabo enquanto trabalha, não lhe toque e desligue o aparelho imediatamente. Retire a ficha de rede da tomada.

- ▶ Verifique o cabo eléctrico regularmente. Se danificado, deve ser imediatamente substituído por um especialista.
- Utilize apenas cabos de extensão aprovados para o tipo de aplicação em causa e com a secção transversal adequada. A inobservância desta recomendação pode resultar numa perda de potência da ferramenta e no sobreaquecimento do cabo.
- Examine o cabo periodicamente em relação a eventuais danos.
- Substitua os cabos de extensão danificados.
- Em trabalhos de exterior, utilize apenas extensões com secção apropriada e correspondentemente indicadas.

 No final desta documentação encontrará as secções de cabo mínimas e comprimentos máximos sob a forma de código QR.

6 Preparação do local de trabalho


CUIDADO

Risco de ferimentos! Arranque inadvertido do produto.

- ▶ Retire a ficha antes de efectuar ajustes na ferramenta ou substituir acessórios.

Tenha em atenção as instruções de segurança e as advertências nesta documentação e no produto.

6.1 Colocar o material abrasivo

 A ferramenta eléctrica, o material abrasivo e o prato de rebarbar formam um sistema. Certifique-se de que utiliza a combinação e ajuste da ferramenta adequados para a aplicação. Através da selecção do material abrasivo (granulação), da velocidade de rotação e da força de aperto determina-se a taxa de remoção e o padrão de lixagem.

1. Retire a ficha de rede da tomada.
2. Seleccione um material abrasivo adequado e fixe-o no prato de rebarbar. Certifique-se de que o material abrasivo está correctamente centrado e que assenta bem no prato de rebarbar.

7 Trabalhar

AVISO


Perigo devido a cabo danificado! Se danificar o cabo enquanto trabalha, desligue imediatamente o aparelho e o cabo da rede elétrica. Não toque no local com defeito!

- ▶ Verifique regularmente todos os cabos de alimentação. Substitua o cabo de extensão defeituoso. Mandé substituir os cabos de alimentação danificados por um especialista reconhecido.

Por princípio, recomendamos a utilização de um disjuntor diferencial (RCD) com uma corrente de disparo de, no máximo, 30 mA.

7.1 Ligar

- ▶ Pressione a tecla Ligar/Desligar.
 - ▶ O LED multiúsos acende a verde.

 **Atenção!** Logo ao ser iniciada, a ferramenta eléctrica já desenvolve um binário. Sempre que possível, utilize a ferramenta eléctrica juntamente com um aspirador industrial.



7.2 Lixar

1. Ajuste a velocidade de rotação pretendida. Para isso, acione as teclas "Aumentar / reduzir as rotações".
 - ▶ As rotações podem ser adaptadas no intervalo de 4 000 a 8 000 rpm. As rotações ajustadas são indicadas no LED.
2. Pouse a ferramenta eléctrica com a superfície de lixagem sobre a superfície a trabalhar.
3. Pressione a tecla Start/Stop.
 - ▶ Começa o processo de lixagem
4. Mova a ferramenta eléctrica com pressão moderada sobre a superfície a trabalhar.

7.3 Concluir o processo de lixagem

1. Retire a ferramenta eléctrica da superfície a trabalhar, antes de concluir o processo de lixagem.
 - ▶ Caso contrário, podem ocorrer sulcos na superfície a trabalhar devido à velocidade demasiado elevada do papel abrasivo.
2. Pressione a tecla Start/Stop.

7.4 Desligar

1. Pressione a tecla Ligar/Desligar.
2. Pouse a ferramenta eléctrica somente quando o prato de rebarbar já não rodar.

8 Conservação e manutenção

AVISO

Perigo devido a choque eléctrico! A conservação e manutenção com a ficha de ligação inserida pode originar ferimentos graves e queimaduras.

- ▶ Retirar sempre a ficha de ligação antes de todos os trabalhos de conservação e manutenção!

Conservação

- Remover a sujidade persistente com cuidado.
- Limpe as saídas de ar cuidadosamente com uma escova seca.
- Limpar a carcaça apenas com um pano ligeiramente humedecido. Não utilizar produtos de conservação que contenham silicone, uma vez que estes poderiam danificar os componentes de plástico.

Manutenção

AVISO

Perigo devido a choque eléctrico! Reparações incorrectas em peças eléctricas podem causar ferimentos e queimaduras graves.

- ▶ As reparações na parte eléctrica apenas podem ser executadas por um electricista especializado.
- Verificar, regularmente, todos os componentes visíveis quanto a danos e os comandos operativos quanto a funcionamento perfeito.
- Em caso de danos e/ou perturbações de funcionamento, não operar o produto. Mandar reparar de imediato pelo Centro de Assistência Técnica **Hilti**.
- Após os trabalhos de conservação e manutenção, aplicar todos os dispositivos de protecção e verificar o respectivo funcionamento.



Para um funcionamento seguro, utilize apenas peças sobresselentes e consumíveis originais. Poderá encontrar peças sobresselentes, consumíveis e acessórios aprovados por nós para o seu produto no seu **Hilti Store** ou em: www.hilti.group.

8.1 Módulos de montagem

- | | | | |
|---|--|---|--|
| 1 | Módulo do veio e módulo do mancal | 4 | Tampa do parafuso |
| 2 | Cabeça de lixagem | 5 | Prato de rebarbar com parafusos de fixação |
| 3 | Parafuso de fixação da cabeça de lixagem | | |



8.2 Substituir os pratos de lixar

Acessório necessário: Chave de sextavado interior de 19 mm e chave de parafusos Torx.

1. Desligue a ferramenta da corrente eléctrica.
2. Remova a tampa de rosca.
3. Solte o parafuso do prato de rebarbar.
4. Remova o prato de rebarbar usado.
5. Monte o prato de rebarbar novo, correctamente alinhado no veio.
6. Aperte o parafuso do prato de rebarbar com a chave de sextavado interior com 10 Nm.
7. Coloque a tampa de rosca.
 - ▶ Aperte o parafuso de fixação da tampa de rosca com 0,8 Nm.
8. Verifique se o prato de lixar está montado correctamente e não fica enviesado.

8.3 Substituir o prato de rebarbar e o apoio

Acessório necessário: Chave de parafusos plana.

1. Desligue a ferramenta da corrente eléctrica.
2. Remova os 8 parafusos canulados.
3. Remova o apoio.
4. Remova o prato de rebarbar usado.
5. Monte o prato de rebarbar novo, correctamente alinhado no veio.
6. Fixe um apoio novo.
 - ▶ Volte a inserir os 8 parafusos canulados.
7. Verifique se o prato de rebarbar e o apoio estão correctamente montados e não emperram.

9 Transporte e armazenamento

Transporte

- ▶ Certificar-se de que está bem apertado durante o transporte.
- ▶ Após cada transporte, verifique todos os componentes visíveis quanto a danos e os comandos operativos quanto a funcionamento perfeito.

Armazenamento

- ▶ Armazene este produto sempre com a ficha de rede retirada.
- ▶ Guarde este produto num local seco e fora do alcance das crianças e pessoas não autorizadas.
- ▶ Após um armazenamento prolongado, verifique todos os componentes visíveis quanto a danos e os comandos operativos quanto a funcionamento perfeito.


10 Ajuda em caso de avarias

Avaria	Causa possível	Solução
O LED multifunções pisca alternadamente a vermelho e a verde.	O equipamento está ligado a uma tomada com tensão errada.	▶ Ligue o equipamento a uma tomada da rede, que coincida com a tensão nominal da máquina.
Ao ligar, o LED multifunções não acende.	O cabo de alimentação não está correctamente ligado ao equipamento ou à tomada.	▶ Ligue correctamente o cabo.
O LED multifunções da lixadeira acende a vermelho, as rotações diminuem ligeiramente.	A pressão no equipamento é demasiado elevada durante um breve momento.	▶ Se exercer menos pressão sobre o equipamento, o LED multifunções volta a comutar automaticamente para verde.
O LED multifunções da lixadeira acende a vermelho e as rotações do equipamento baixam durante o processo de lixagem para 4 000 rpm.	A temperatura na lixadeira é demasiado elevada. A pressão sobre o equipamento é demasiado elevada durante um longo período de tempo.	▶ Se, por uns instantes, exercer menos pressão sobre a lixadeira, as rotações do equipamento voltam a aumentar.



Avaria	Causa possível	Solução
O disco vedante no prato de rebarbar não funciona.	Disco vedante desgastado ou apoio do veio com defeito.	▶ Verifique o disco vedante ou o apoio do veio e, se necessário, substitua-os.
A lixadeira parou e o LED multifunções acende a vermelho.	O acessório encontra-se no modo de segurança devido à temperatura elevada.	▶ Aguarde até que o acessório arrefeça.

11 Reciclagem

 As ferramentas **Hilti** são, em grande parte, fabricadas com materiais recicláveis. Um pré-requisito para a reciclagem é que esses materiais sejam devidamente separados. Em muitos países, a **Hilti** aceita a sua ferramenta usada para reutilização. Para mais informações dirija-se ao Serviço de Clientes **Hilti** ou ao seu vendedor.



- ▶ Não deite as ferramentas eléctricas, aparelhos electrónicos e baterias no lixo doméstico!

12 Garantia do fabricante

- ▶ Em caso de dúvidas quanto às condições de garantia, contacte o seu parceiro **Hilti** local.

13 Mais informações

Pode consultar informações mais pormenorizadas sobre Utilização, Tecnologia, Meio ambiente e Reciclagem na seguinte hiperligação: qr.hilti.com/manual/?id=2301587

Também pode encontrar esta hiperligação no final da documentação sob a forma de código QR.





This Product is certified:
Ce produit est homologué:
Producto homologado por:
Este produto está registrado:



Intertek

4006707

CONFORMS TO UL STD

62841-1

62841-2-4

CERTIFIED TO CAN/CSA STD C22.2 NO.

62841-1

62841-2-4





Hilti Corporation
LI-9494 Schaan
Tel.:+423 234 21 11
Fax:+423 234 29 65
www.hilti.com



2301587