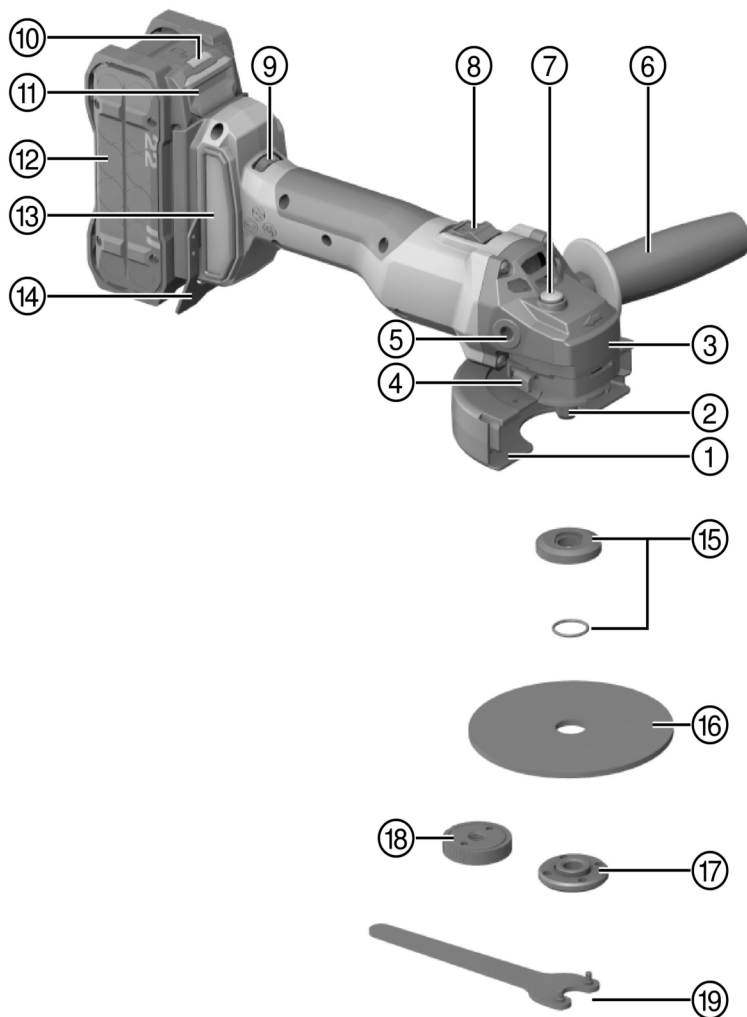




AG 4S-22-5
NURON

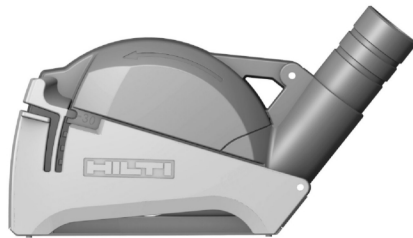
English	1
Français	18
Español	38
Português	57



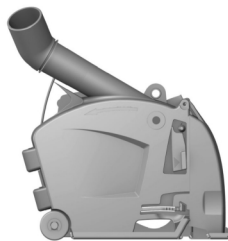
2



3



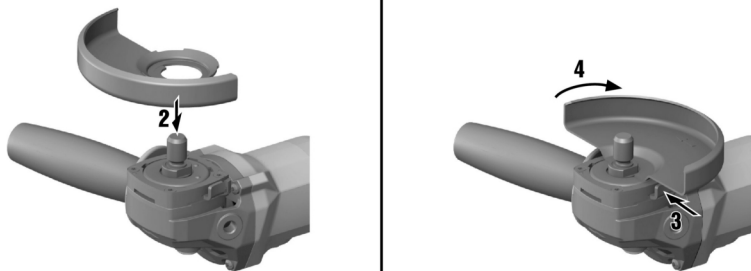
4



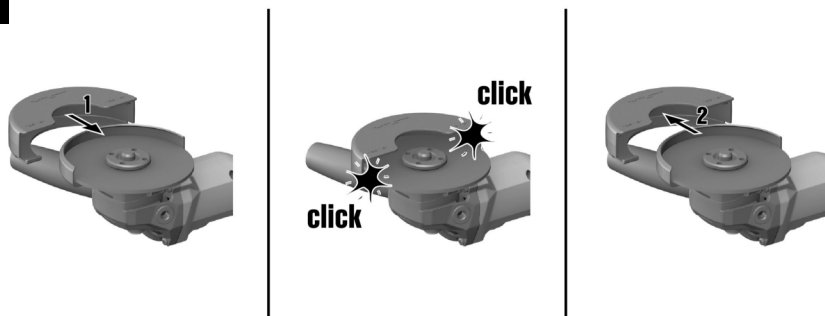
5



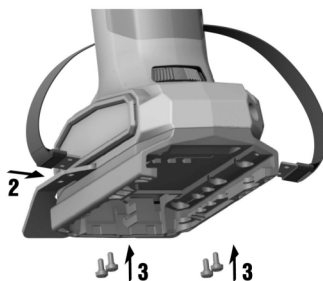
6



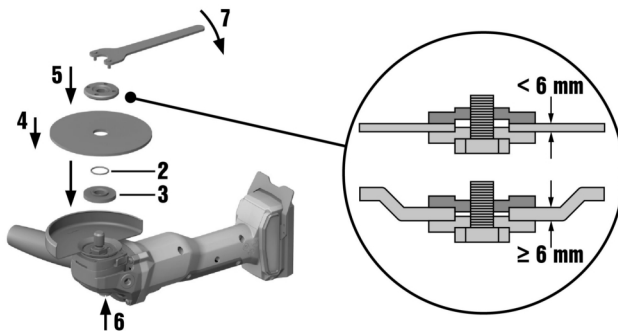
7



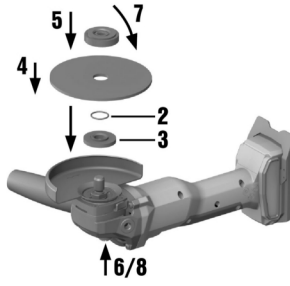
8



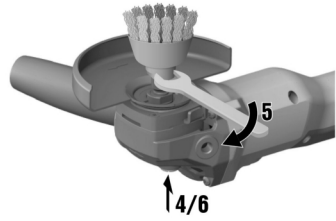
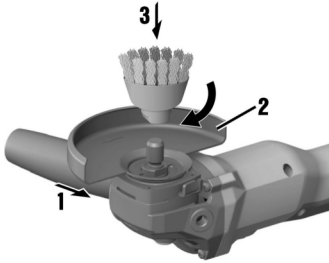
9



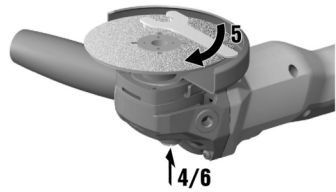
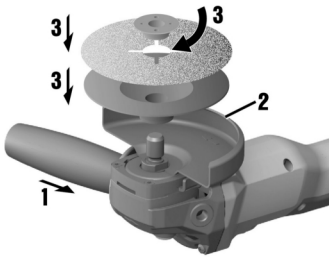
10



11



12



AG 4S-22-5

en	Original operating instructions	1
fr	Mode d'emploi original	18
es	Manual de instrucciones original	38
pt	Manual de instruções original	57

Original operating instructions

1 Information about the operating instructions

1.1 About these operating instructions

- Read these operating instructions before the product is used or operated for the first time. This is a prerequisite for safe, trouble-free handling and use of the product.
- Observe the safety instructions and warnings in these operating instructions and on the product.
- Always keep the operating instructions with the product and make sure that the product is accompanied by these operating instructions only, when the product is given to other persons.

1.2 Explanation of symbols used

1.2.1 Warnings

Warnings alert persons to hazards that occur when handling or using the product. The following signal words are used:

DANGER

DANGER !

- ▶ Draws attention to imminent danger that will lead to serious personal injury or fatality.

WARNING

WARNING !

- ▶ Draws attention to a potential threat of danger that can lead to serious injury or fatality.

CAUTION

CAUTION !

- ▶ Draws attention to a potentially dangerous situation that could lead to personal injury or damage to the equipment or other property.

1.2.2 Symbols in the documentation

The following symbols are used in this document:

	Read the operating instructions before use.
	Instructions for use and other useful information
	Dealing with recyclable materials
	Do not dispose of electric equipment and batteries as household waste

1.2.3 Symbols in the illustrations

The following symbols are used in illustrations:

	These numbers refer to the corresponding illustrations found at the beginning of these operating instructions
	The numbering reflects the sequence of operations shown in the illustrations and may deviate from the steps described in the text
	Item reference numbers are used in the overview illustrations and refer to the numbers used in the product overview section
	This symbol is intended to draw special attention to certain points when handling the product.



1.3 Product-dependent symbols

1.3.1 Symbols on the product

The following symbols can be used on the product:

	Wear eye protection
n	Rated speed
/min	Revolutions per minute
RPM	Revolutions per minute
	Diameter
	Direct current (DC)
	Do not work with the standard guard when carrying out cutting work.
	Always work with both hands.
	The product supports near-field communication (NFC) technology compatible with iOS and Android platforms.
Li-Ion	Li-ion battery
	Never use the battery as a striking tool.
	Do not drop the battery. Never use a battery that has suffered an impact or is damaged in any other way.
	Hilti Li-ion battery type series used. Observe the information given in the section headed Intended use .
	If applied on the product, the product has been certified by this certification body for the US and Canadian markets according to the applicable standards.

1.4 Product information

products are designed for professional users and only trained, authorized personnel are permitted to operate, service and maintain the products. This personnel must be specifically informed about the possible hazards. The product and its ancillary equipment can present hazards if used incorrectly by untrained personnel or if used not in accordance with the intended use.

The type designation and serial number are printed on the rating plate.

- ▶ Write down the serial number in the table below. You will be required to state the product details when contacting Hilti Service or your local Hilti organization to inquire about the product.

Product information

Cordless angle grinder	AG 4S-22-5
Generation	02
Serial no.	

2 Safety

2.1 General power tool safety warnings

⚠ WARNING Read all safety warnings, instructions, illustrations and specifications provided with this power tool. Failure to follow all instructions listed below may result in electric shock, fire and/or serious injury. **Save all warnings and instructions for future reference.**

The term "power tool" in the warnings refers to your mains-operated (corded) power tool or battery-operated (cordless) power tool.



Work area safety

- ▶ **Keep work area clean and well lit.** Cluttered or dark areas invite accidents.
- ▶ **Do not operate power tools in explosive atmospheres, such as in the presence of flammable liquids, gases or dust.** Power tools create sparks which may ignite the dust or fumes.
- ▶ **Keep children and bystanders away while operating a power tool.** Distractions can cause you to lose control.

Electrical safety

- ▶ **Power tool plugs must match the outlet. Never modify the plug in any way. Do not use any adapter plugs with earthed (grounded) power tools.** Unmodified plugs and matching outlets will reduce risk of electric shock.
- ▶ **Avoid body contact with earthed or grounded surfaces, such as pipes, radiators, ranges and refrigerators.** There is an increased risk of electric shock if your body is earthed or grounded.
- ▶ **Do not expose power tools to rain or wet conditions.** Water entering a power tool will increase the risk of electric shock.
- ▶ **Do not abuse the cord. Never use the cord for carrying, pulling or unplugging the power tool. Keep cord away from heat, oil, sharp edges or moving parts.** Damaged or entangled cords increase the risk of electric shock.
- ▶ **When operating a power tool outdoors, use an extension cord suitable for outdoor use.** Use of a cord suitable for outdoor use reduces the risk of electric shock.
- ▶ **If operating a power tool in a damp location is unavoidable, use a residual current device (RCD) protected supply.** Use of an RCD reduces the risk of electric shock.

Personal safety

- ▶ **Stay alert, watch what you are doing and use common sense when operating a power tool. Do not use a power tool while you are tired or under the influence of drugs, alcohol or medication.** A moment of inattention while operating power tools may result in serious personal injury.
- ▶ **Use personal protective equipment. Always wear eye protection.** Protective equipment such as a dust mask, non-skid safety shoes, hard hat or hearing protection used for appropriate conditions will reduce personal injuries.
- ▶ **Prevent unintentional starting. Ensure the switch is in the off-position before connecting to power source and/or battery pack, picking up or carrying the tool.** Carrying power tools with your finger on the switch or energising power tools that have the switch on invites accidents.
- ▶ **Remove any adjusting key or wrench before turning the power tool on.** A wrench or a key left attached to a rotating part of the power tool may result in personal injury.
- ▶ **Do not overreach. Keep proper footing and balance at all times.** This enables better control of the power tool in unexpected situations.
- ▶ **Dress properly. Do not wear loose clothing or jewellery. Keep your hair and clothing away from moving parts.** Loose clothes, jewellery or long hair can be caught in moving parts.
- ▶ **If devices are provided for the connection of dust extraction and collection facilities, ensure these are connected and properly used.** Use of dust collection can reduce dust-related hazards.
- ▶ **Do not let familiarity gained from frequent use of tools allow you to become complacent and ignore tool safety principles.** A careless action can cause severe injury within a fraction of a second.

Power tool use and care

- ▶ **Do not force the power tool. Use the correct power tool for your application.** The correct power tool will do the job better and safer at the rate for which it was designed.
- ▶ **Do not use the power tool if the switch does not turn it on and off.** Any power tool that cannot be controlled with the switch is dangerous and must be repaired.
- ▶ **Disconnect the plug from the power source and/or remove the battery pack, if detachable, from the power tool before making any adjustments, changing accessories, or storing power tools.** Such preventive safety measures reduce the risk of starting the power tool accidentally.
- ▶ **Store idle power tools out of the reach of children and do not allow persons unfamiliar with the power tool or these instructions to operate the power tool.** Power tools are dangerous in the hands of untrained users.
- ▶ **Maintain power tools and accessories. Check for misalignment or binding of moving parts, breakage of parts and any other condition that may affect the power tool's operation. If damaged, have the power tool repaired before use.** Many accidents are caused by poorly maintained power tools.
- ▶ **Keep cutting tools sharp and clean.** Properly maintained cutting tools with sharp cutting edges are less likely to bind and are easier to control.



- ▶ **Use the power tool, accessories and tool bits etc. in accordance with these instructions, taking into account the working conditions and the work to be performed.** Use of the power tool for operations different from those intended could result in a hazardous situation.
- ▶ **Keep handles and grasping surfaces dry, clean and free from oil and grease.** Slippery handles and grasping surfaces do not allow for safe handling and control of the tool in unexpected situations.

Battery tool use and care

- ▶ **Recharge only with the charger specified by the manufacturer.** A charger that is suitable for one type of battery pack may create a risk of fire when used with another battery pack.
- ▶ **Use power tools only with specifically designated battery packs.** Use of any other battery packs may create a risk of injury and fire.
- ▶ **When battery pack is not in use, keep it away from other metal objects, like paper clips, coins, keys, nails, screws or other small metal objects, that can make a connection from one terminal to another.** Shorting the battery terminals together may cause burns or a fire.
- ▶ **Under abusive conditions, liquid may be ejected from the battery; avoid contact. If contact accidentally occurs, flush with water. If liquid contacts eyes, additionally seek medical help.** Liquid ejected from the battery may cause irritation or burns.
- ▶ **Do not use a battery pack or tool that is damaged or modified.** Damaged or modified batteries may exhibit unpredictable behaviour resulting in fire, explosion or risk of injury.
- ▶ **Do not expose a battery pack or tool to fire or excessive temperature.** Exposure to fire or temperature above 130° C (265 °F) may cause explosion.
- ▶ **Follow all charging instructions and do not charge the battery pack or tool outside the temperature range specified in the instructions.** Charging improperly or at temperatures outside the specified range may damage the battery and increase the risk of fire.

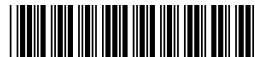
Service

- ▶ **Have your power tool serviced by a qualified repair person using only identical replacement parts.** This will ensure that the safety of the power tool is maintained.
- ▶ **Never service damaged battery packs.** Service of battery packs should only be performed by the manufacturer or authorized service providers.

2.2 Safety instructions for all operations

Safety warnings common for grinding, sanding, wire brushing, polishing or cutting-off operations:

- ▶ **This power tool is intended to function as a grinder, sander, wire brush, polisher, hole cutter or cut-off tool. Read all safety warnings, instructions, illustrations and specifications provided with this power tool.** Failure to follow all instructions listed below may result in electric shock, fire and/or serious injury.
- ▶ **Do not convert this power tool to operate in a way which is not specifically designed and specified by the tool manufacturer.** Such a conversion may result in a loss of control and cause serious personal injury.
- ▶ **Do not use accessories which are not specifically designed and specified by the tool manufacturer.** Just because the accessory can be attached to your power tool, it does not assure safe operation.
- ▶ **The rated speed of the accessory must be at least equal to the maximum speed marked on the power tool.** Accessories running faster than their rated speed can break and fly apart.
- ▶ **The outside diameter and the thickness of your accessory must be within the capacity rating of your power tool.** Incorrectly sized accessories cannot be adequately guarded or controlled.
- ▶ **The dimensions of the accessory mounting must fit the dimensions of the mounting hardware of the power tool.** Accessories that do not match the mounting hardware of the power tool will run out of balance, vibrate excessively and may cause loss of control.
- ▶ **Do not use a damaged accessory. Before each use inspect the accessory such as abrasive wheels for chips and cracks, backing pad for cracks, tear or excess wear, wire brush for loose or cracked wires. If power tool or accessory is dropped, inspect for damage or install an undamaged accessory. After inspecting and installing an accessory, position yourself and bystanders away from the plane of the rotating accessory and run the power tool at maximum no-load speed for one minute.** Damaged accessories will normally break apart during this test time.
- ▶ **Wear personal protective equipment. Depending on application, use face shield, safety goggles or safety glasses. As appropriate, wear dust mask, hearing protectors, gloves and workshop apron capable of stopping small abrasive or workpiece fragments.** The eye protection must be capable of stopping flying debris generated by various applications. The dust mask or respirator must be capable of filtering particles generated by the particular application. Prolonged exposure to high intensity noise may cause hearing loss.



- ▶ **Keep bystanders a safe distance away from work area. Anyone entering the work area must wear personal protective equipment.** Fragments of workpiece or of a broken accessory may fly away and cause injury beyond immediate area of operation.
- ▶ **Hold the power tool by insulated gripping surfaces only, when performing an operation where the cutting tool may contact hidden wiring.** Contact with a "live" wire will also make exposed metal parts of the power tool "live" and could give the operator an electric shock.
- ▶ **Position the cord clear of the spinning accessory.** If you lose control, the cord may be cut or snagged and your hand or arm may be pulled into the spinning accessory.
- ▶ **Never lay the power tool down until the accessory has come to a complete stop.** The spinning accessory may grab the surface and pull the power tool out of your control.
- ▶ **Do not run the power tool while carrying it at your side.** Accidental contact with the spinning accessory could snag your clothing, pulling the accessory into your body.
- ▶ **Regularly clean the power tool's air vents.** The motor's fan will draw the dust inside the housing and excessive accumulation of powdered metal may cause electrical hazards.
- ▶ **Do not operate the power tool near flammable materials.** Sparks could ignite these materials.
- ▶ **Do not use accessories that require liquid coolants.** Using water or other liquid coolants may result in electrocution or shock.

Kickback and related warnings

Kickback is a sudden reaction to a pinched or snagged rotating wheel, backing pad, brush or any other accessory. Pinching or snagging causes rapid stalling of the rotating accessory which in turn causes the uncontrolled power tool to be forced in the direction opposite of the accessory's rotation at the point of the binding.

For example, if an abrasive wheel is snagged or pinched by the workpiece, the edge of the wheel that is entering into the pinch point can dig into the surface of the material causing the wheel to climb out or kick out. The wheel may either jump toward or away from the operator, depending on direction of the wheel's movement at the point of pinching. Abrasive wheels may also break under these conditions.

Kickback is the result of power tool misuse and / or incorrect operating procedures or conditions and can be avoided by taking proper precautions as given below.

- ▶ **Maintain a firm grip with both hands on the power tool and position your body and arms to allow you to resist kickback forces.** Always use auxiliary handle, if provided, for maximum control over kickback or torque reaction during start-up. The operator can control torque reactions or kickback forces, if proper precautions are taken.
- ▶ **Never place your hand near the rotating accessory.** Accessory may kickback over your hand.
- ▶ **Do not position your body in the area where power tool will move if kickback occurs.** Kickback will propel the tool in direction opposite to the wheel's movement at the point of snagging.
- ▶ **Use special care when working corners, sharp edges etc. Avoid bouncing and snagging the accessory.** Corners, sharp edges or bouncing have a tendency to snag the rotating accessory and cause loss of control or kickback.
- ▶ **Do not attach a saw chain woodcarving blade, segmented diamond wheel with a peripheral gap greater than 10 mm or toothed saw blade.** Such blades create frequent kickback and loss of control.

Safety warnings specific for grinding and cutting-off operations:

- ▶ **Use only wheel types that are specified for your power tool and the specific guard designed for the selected wheel.** Wheels for which the power tool was not designed cannot be adequately guarded and are unsafe.
- ▶ **The grinding surface of centre depressed wheels must be mounted below the plane of the guard lip.** An improperly mounted wheel that projects through the plane of the guard lip cannot be adequately protected.
- ▶ **The guard must be securely attached to the power tool and positioned for maximum safety, so the least amount of wheel is exposed towards the operator.** The guard helps to protect the operator from broken wheel fragments, accidental contact with wheel and sparks that could ignite clothing.
- ▶ **Wheels must be used only for specified applications. For example: do not grind with the side of cut-off wheel.** Abrasive cut-off wheels are intended for peripheral grinding, side forces applied to these wheels may cause them to shatter.
- ▶ **Always use undamaged wheel flanges that are of correct size and shape for your selected wheel.** Proper wheel flanges support the wheel thus reducing the possibility of wheel breakage. Flanges for cut-off wheels may be different from grinding wheel flanges.
- ▶ **Do not use worn down wheels from larger power tools.** A wheel intended for larger power tool is not suitable for the higher speed of a smaller tool and may burst.



- ▶ **When using dual purpose wheels always use the correct guard for the application being performed.** Failure to use the correct guard may not provide the desired level of guarding, which could lead to serious injury.

Additional safety warnings specific for cutting-off operations:

- ▶ **Do not "jam" the cut-off wheel or apply excessive pressure. Do not attempt to make an excessive depth of cut.** Overstressing the wheel increases the loading and susceptibility to twisting or binding of the wheel in the cut and the possibility of kickback or wheel breakage.
- ▶ **Do not position your body in line with and behind the rotating wheel.** When the wheel, at the point of operation, is moving away from your body, the possible kickback may propel the spinning wheel and the power tool directly at you.
- ▶ **When the wheel is binding or when interrupting a cut for any reason, switch off the power tool and hold it motionless until the wheel comes to a complete stop. Never attempt to remove the cut-off wheel from the cut while the wheel is in motion otherwise kickback may occur.** Investigate and take corrective action to eliminate the cause of wheel binding.
- ▶ **Do not restart the cutting operation in the workpiece. Let the wheel reach full speed and carefully re-enter the cut.** The wheel may bind, walk up or kickback if the power tool is restarted in the workpiece.
- ▶ **Support panels or any oversized workpiece to minimize the risk of wheel pinching and kickback.** Large workpieces tend to sag under their own weight. Supports must be placed under the workpiece near the line of cut and near the edge of the workpiece on both sides of the wheel.
- ▶ **Use extra caution when making a "pocket cut" into existing walls or other blind areas.** The protruding wheel may cut gas or water pipes, electrical wiring or objects that can cause kickback.
- ▶ **Do not attempt to do curved cutting.** Overstressing the wheel increases the loading and susceptibility to twisting or binding of the wheel in the cut and the possibility of kickback or wheel breakage, which can lead to serious injury.

Safety warnings specific for sanding operations:

- ▶ **Use proper sized sanding disc paper. Follow manufacturers recommendations, when selecting sanding paper.** Larger sanding paper extending too far beyond the sanding pad presents a laceration hazard and may cause snagging, tearing of the disc or kickback.

Safety warnings specific for polishing operations:

- ▶ **Do not allow any loose portion of the polishing bonnet or its attachment strings to spin freely. Tuck away or trim any loose attachment strings.** Loose and spinning attachment strings can entangle your fingers or snag on the workpiece.

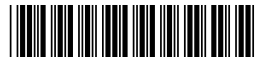
Safety warnings specific for wire brushing operations:

- ▶ **Be aware that wire bristles are thrown by the brush even during ordinary operation. Do not overstress the wires by applying excessive load to the brush.** The wire bristles can easily penetrate light clothing and / or skin.
- ▶ **If the use of a guard is specified for wire brushing, do not allow any interference of the wire wheel or brush with the guard.** Wire wheel or brush may expand in diameter due to work load and centrifugal forces.

2.3 Additional safety instructions

Personal safety

- ▶ Use the product and accessories only when they are in perfect working order.
- ▶ Never tamper with or modify the product or accessories in any way.
- ▶ Always hold the product with both hands on the grips provided. Keep the grips dry, clean and free from oil and grease.
- ▶ Respiratory protection must be worn if the product is used without a dust removal system for work that creates dust.
- ▶ Take frequent breaks and do physical exercises to improve the blood circulation in your fingers. High vibration during long periods of work can lead to disorders of the blood vessels and nervous system in the fingers, hands and wrists.
- ▶ Do not touch rotating parts. Switch the product on only after it is in position at the workpiece. Touching rotating parts, especially rotating accessory tools, can result in injury.
- ▶ Wait until the product stops completely before you lay it down.
- ▶ The product is not intended for use by debilitated persons who have received no special training. Keep the product out of reach of children.



- ▶ Dust produced by grinding, sanding, cutting and drilling can contain dangerous chemicals. Some examples are: lead or lead-based paints; brick, concrete and other masonry products, natural stone and other products containing silicates; certain types of wood, such as oak, beech and chemically treated wood; asbestos or materials that contain asbestos. Determine the exposure of the operator and bystanders by means of the hazard classification of the materials to be worked. Implement the necessary measures to restrict exposure to a safe level, for example by the use of a dust collection system or by the wearing of suitable respiratory protection. The general measures for reducing exposure include:
 - ▶ working in an area that is well ventilated,
 - ▶ avoidance of prolonged contact with dust,
 - ▶ directing dust away from the face and body,
 - ▶ wearing protective clothing and washing exposed areas of the skin with water and soap.
- ▶ The user and the other persons in the vicinity must wear eye protection, a hard hat and ear protection while the product is in use.
- ▶ Wear protective gloves when changing the accessory tool. Touching the accessory tool can result in cuts and burns.
- ▶ Risk of injury by falling tools and/or accessories. Before starting work, check that the battery and installed accessories are secure.
- ▶ Keep the air vents clear at all times. Risk of burn injuries due to blocked air vents!
- ▶ Switch the product on only after you have brought it to the working position.
- ▶ Wait until the product stops completely before you lay it down.
- ▶ If the product detects operation beyond its limits or a discharged battery, there is a possibility that the tool will no longer be braked by the motor.
- ▶ Do not attach a belt hook to this product.

Power tool use and care

- ▶ Grinding discs must be stored and handled carefully in accordance with the manufacturer's instructions.
- ▶ Never use the product without the guard.
- ▶ Secure the workpiece. Use clamps or a bench vise to hold the workpiece in position. The workpiece is thus held more securely than by hand and both hands remain free to operate the product.
- ▶ Do not use cut-off wheels for grinding.
- ▶ Tighten the accessory tool and flange securely. If the accessory tool and flange are not tightened securely, the accessory tool may work loose from the arbor due to the braking effect of the motor after switching off.

Electrical safety

- ▶ Before beginning work, check the working area for concealed electric cables or gas and water pipes. External metal parts of the product could give you an electric shock or cause an explosion if you accidentally damage an electric cable or a gas or water pipe.
- ▶ Dirty or dusty products that have been used frequently for work on conductive materials should be checked at regular intervals by **Hilti Service**. Dust (especially dust from conductive materials) or dampness adhering to the surface of the power tool may, under unfavorable conditions, lead to electric shock.

Workplace

- ▶ Apply appropriate safety measures at the opposite side of the workpiece in work that involves breaking through. Pieces of debris could drop out and / or fall down and injure other persons.
- ▶ Slits cut in load-bearing walls of buildings or other structures may influence the statics of the structure, especially when steel reinforcing bars or load-bearing components are cut through. Consult the responsible structural engineer, architect or person in charge of the building project before beginning the work.

2.4 Careful handling and use of batteries

- ▶ **Comply with the following safety instructions for the safe handling and use of Li-ion batteries.** Failure to comply can lead to skin irritation, severe corrosive injury, chemical burns, fire and/or explosion.
- ▶ Use only batteries that are in perfect working order.
- ▶ Treat batteries with care in order to avoid damage and prevent leakage of fluids that are extremely harmful to health!
- ▶ Do not under any circumstances modify or tamper with batteries!
- ▶ Do not disassemble, crush or incinerate batteries and do not subject them to temperatures over 80 °C (176 °F).



- ▶ Never use or charge a battery that has suffered an impact or been damaged in any other way. Check your batteries regularly for signs of damage.
- ▶ Never use recycled or repaired batteries.
- ▶ Never use the battery or a battery-operated power tool as a striking tool.
- ▶ Never expose batteries to the direct rays of the sun, elevated temperature, sparking, or open flame. This can lead to explosions.
- ▶ Do not touch the battery poles with your fingers, tools, jewelry, or other electrically conductive objects. This can damage the battery and also cause material damage and personal injury.
- ▶ Keep batteries away from rain, moisture and liquids. Penetrating moisture can cause short circuits, electric shock, burns, fire and explosions.
- ▶ Use only chargers and power tools approved for the specific battery type. Read and follow the relevant operating instructions.
- ▶ Do not use or store the battery in explosive environments.
- ▶ If the battery is too hot to touch, it may be defective. Put the battery in a place where it is clearly visible and where there is no risk of fire, at an adequate distance from flammable materials. Allow the battery to cool down. If it is still too hot to touch after an hour, the battery is faulty. Consult **Hilti** Service or read the document entitled "Instructions on safety and use for **Hilti** Li-ion batteries".

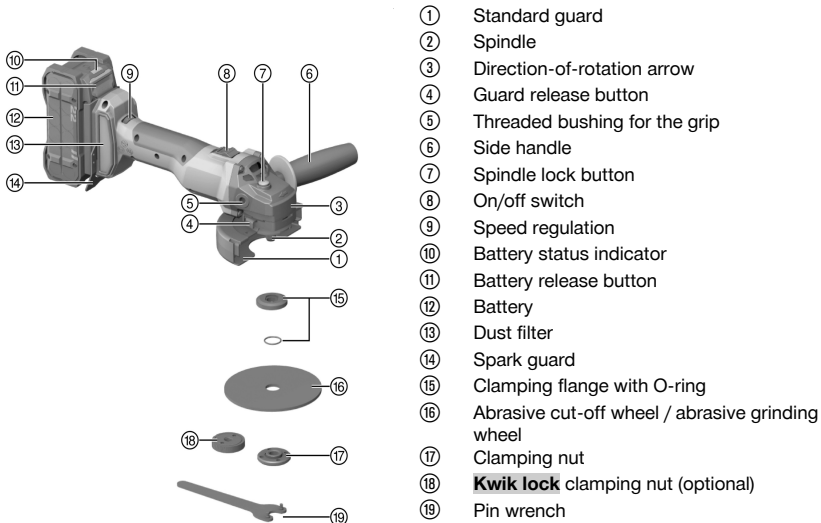


Observe the special guidelines applicable to the transport, storage and use of lithium-ion batteries. → page 17

Read the instructions on safety and use of **Hilti** Li-ion batteries that you can access by scanning the QR code at the end of these operating instructions.

3 Description

3.1 Product overview



- ① Standard guard
- ② Spindle
- ③ Direction-of-rotation arrow
- ④ Guard release button
- ⑤ Threaded bushing for the grip
- ⑥ Side handle
- ⑦ Spindle lock button
- ⑧ On/off switch
- ⑨ Speed regulation
- ⑩ Battery status indicator
- ⑪ Battery release button
- ⑫ Battery
- ⑬ Dust filter
- ⑭ Spark guard
- ⑮ Clamping flange with O-ring
- ⑯ Abrasive cut-off wheel / abrasive grinding wheel
- ⑰ Clamping nut
- ⑱ **Kwik lock** clamping nut (optional)
- ⑲ Pin wrench

3.2 Intended use

The product described is a hand-held cordless angle grinder. It is designed for cutting and grinding metal and mineral materials, brushing and sandpapering, all without the use of water. It can be used only for dry grinding / cutting.

- For this product, use only **Hilti** Nuron lithium-ion batteries of the B 22 series. For optimum performance, **Hilti** recommends the batteries stated in the table at the end of these operating instructions for this product.



- For these batteries, use only **Hilti** chargers of the type series stated in the table at the end of these operating instructions.

3.3 Status indicators of the Li-ion battery

Hilti Nuron Li-ion batteries can indicate state of charge, fault messages and the battery's state of health.

3.3.1 Indicators for state of charge and fault messages

WARNING

Risk of injury by a falling battery!

- ▶ If the release button is pressed with a battery inserted in the product, subsequently check that the battery is correctly re-engaged and secure.

Short-press the release button of the battery to get whichever of the following status indications is applicable at the time.

State of charge and, if applicable, faults are indicated constantly as long as the connected product is switched on.

Status	Meaning
Four (4) LEDs show constantly green	State of charge: 100 % to 71 %
Three (3) LEDs show constantly green	State of charge: 70 % to 51 %
Two (2) LEDs show constantly green	State of charge: 50 % to 26 %
One (1) LED shows constantly green	State of charge: 25 % to 10 %
One (1) LED slow-flashes green	State of charge: < 10 %
One (1) LED quick-flashes green	The Li-ion battery is completely discharged. Recharge the battery. If the LED again starts quick-flashing after the battery has been charged, consult Hilti Service.
One (1) LED quick-flashes yellow	The Li-ion battery or the product in which it is inserted is overloaded, too hot or too cold, or experiencing some other fault. Bring the product and the battery to the recommended working temperature and do not overload the product when it is in use. If the message persists, consult Hilti Service.
One (1) LED shows yellow	The Li-ion battery and the product in which it is inserted are not compatible. Consult Hilti Service.
One (1) LED quick-flashes red	The Li-ion battery is locked and cannot be used. Consult Hilti Service.

3.3.2 Indicators showing the battery's state of health

To check the battery's state of health, press the release button and hold it down for longer than three seconds. The system does not detect a potential malfunction of the battery due to misuse, for example battery dropped or pierced, external heat damage, etc.

Status	Meaning
All LEDs show in sequence, followed by one (1) LED showing constantly green.	The battery can remain in use.
All LEDs show in sequence, followed by one (1) LED quick-flashing yellow.	The check to ascertain the battery's state of health did not complete. Repeat the procedure, or consult Hilti Service.
All LEDs show in sequence, followed by one (1) LED showing constantly red.	If a connected product can still be used, the remaining battery capacity is below 50 %. If a connected product can no longer be used, the battery has reached the end of its useful life and has to be replaced. Consult Hilti Service.



3.4 Items supplied

Angle grinder, side handle, standard guard, front cover, clamping flange, clamping nut, pin wrench, dust filter, operating instructions.

Other system products approved for use with this product can be found at your local **Hilti Store** or at: www.hilti.group

3.5 ATC

The product is equipped with the ATC (Active Torque Control) quick-acting electronic cut-out. If the accessory tool sticks or stalls, the product will suddenly pivot about its own axis in the opposite direction. ATC detects this sudden pivoting movement of the product and switches the product off immediately.



For ATC to function correctly, the product must be free to pivot. After an ATC cut-out, switch the product off and then on again.

3.6 Motor protection function

The motor protection function monitors current consumption and motor temperature and prevents the product from overheating.

If the motor is overloaded through application of excessive working pressure, the product's performance drops noticeably or it might stall completely.



If the power tool stalls or slows significantly due to overloading, release the pressure applied to the product and then allow it to run under no load for approx. 30 seconds.

3.7 Integrated brake

The integrated brake reduces the time it takes until the accessory tool stops rotating after switching off.



This functions correctly only as long as the product is supplied with electric current. Braking time varies, depending on the selected accessory tool.

3.8 Front cover

Use the standard guard with front cover for the applications listed below:

- Grinding with straight grinding discs
- Cutting with cut-off wheels

3.9 DC-EX 125/5" C compact dust hood for cutting (accessory)

When cutting mineral materials with diamond cut-off wheels, use the DC-EX 125/5" C compact hood. Use of this guard for working on metal is not permissible.

3.10 DC-EX 125/5" M dust hood for cutting (accessory)

The power tool must be equipped with a dust hood when mineral materials are cut or slit with diamond cut-off wheels.

CAUTION Use of this hood for working on metal is prohibited.

3.11 DG-EX 125/5" dust hood for grinding (accessory)

The grinding system is suitable only for occasional use with diamond cup wheels for grinding mineral materials.

Use of this guard for working on metal is not permissible.

4 Consumables

Use only synthetic-resin-bonded, fiber-reinforced wheels with a maximum Ø of 5" (125 mm) approved for a rotational speed of at least 11000 rpm and a peripheral speed of 262 ft/s (80 m/s). Maximum permissible wheel thickness is 1/4" (7 mm).



ATTENTION! When cutting or slitting with abrasive cut-off wheels always use the standard guard with the additional front cover, or a fully enclosing dust hood.

Wheels

Type	Application	Designation	Material
Abrasive cut-off wheel	Cutting, slitting	AC-D	Metal
Diamond cut-off wheel	Cutting, slitting	DC-D (SPX, SP, P)	Mineral
Abrasive grinding wheel	Rough grinding	AG-D, AF-D, AN-D	Metal
Diamond grinding wheel	Rough grinding	DG-CW (SPX, SP, P)	Mineral
Wire brush	Wire brushes	3CS, 4CS, 3SS, 4SS	Metal
Abrasive resin-fiber wheel	Rough grinding	AP-D	Metal

Suitability of wheels for the equipment used

Item	Equipment	AC-D	AP-D	AG-D, AF-D, AN-D	DG-CW (SPX, SP, P)	DC-D (SPX, SP, P)	3CS, 4CS, 3SS, 4SS,
A	Guard (standard)	✓	✓	✓	✓	✓	✓
B	Front cover (in combination with A)	✓	—	—	—	✓	—
C	Dust hood (grinding) DG-EX 125/5"	—	—	—	✓	—	—
D	Dust hood (cutting) DC-EX 125/5"C (in combination with A)	—	—	—	—	✓	—
E	DC-EX 125/5"M dust hood for slitting	—	—	—	—	✓	—
F	DC-EX SL adapter (in combination with E)	—	—	—	—	✓	—
G	Side handle (standard)	✓	✓	✓	✓	✓	✓
H	Clamping nut (standard)	✓	—	✓	✓	✓	—
I	Clamping flange (standard)	✓	—	✓	✓	✓	—
J	Kwik lock (optional instead of H)	✓	—	—	—	✓	—
K	Clamping nut (abrasive resin-fiber wheel)	—	✓	—	—	—	—
L	Support plate (abrasive resin-fiber wheel)	—	✓	—	—	—	—

5 Technical data

	AG 4S-22-5
Rated voltage	21.6 V
Rated speed	8,500 /min
Maximum wheel diameter	5 in
Weight without battery	2.1 kg (4.6 lb)
Drive spindle thread	5/8"-11



	AG 4S-22-5
Spindle length	22 mm (0.9 in)
Ambient temperature for operation	-17 °C ... 60 °C (1 °F ... 140 °F)
Storage temperature	-20 °C ... 70 °C (-4 °F ... 158 °F)

5.1 Battery

Battery operating voltage	21.6 V
Weight, battery	See the end of these operating instructions
Ambient temperature for operation	-17 °C ... 60 °C (1 °F ... 140 °F)
Storage temperature	-20 °C ... 40 °C (-4 °F ... 104 °F)
Battery charging starting temperature	-10 °C ... 45 °C (14 °F ... 113 °F)

6 Preparations at the workplace

WARNING

Risk of injury by inadvertent starting!

- ▶ Before inserting the battery, make sure that the product is switched off.
- ▶ Remove the battery before making any adjustments to the power tool or before changing accessories.

Observe the safety instructions and warnings in this documentation and on the product.

6.1 Charging the battery

1. Before charging the battery, read the operating instructions for the charger.
2. Make sure that the contacts on the battery and the contacts on the charger are clean and dry.
3. Use an approved charger to charge the battery. → page 8

6.2 Inserting the battery

WARNING

Risk of injury by short circuit or falling battery!

- ▶ Before inserting the battery, make sure that the contacts on the battery and the contacts on the product are free of foreign matter.
- ▶ Make sure that the battery always engages correctly.

1. Charge the battery fully before using it for the first time.
2. Push the battery into the product until it engages with an audible click.
3. Check that the battery is seated securely.

6.3 Removing the battery

1. Press the battery release button.
2. Remove the battery from the product.

6.4 Fitting the side handle

- ▶ Screw the side handle into one of the threaded bushings provided.



6.5 Fitting or removing the guard

CAUTION

Risk of injury. The accessory tool may be hot or have sharp edges.

- ▶ Wear protective gloves when fitting, removing or adjusting the accessory tool or other parts and when troubleshooting.

- ▶ Observe the instructions for fitting the applicable guard.

6.5.1 Installing standard guard

The guard has coded locating lugs to ensure that only a guard suitable for use with the product can be installed. The coded locating lugs of the guard fit into the guard mount on the product.

1. Fit the guard on to the arbor collar so that the two triangular marks on the guard and on the product are in alignment.
2. Press the guard on to the drive spindle collar.
3. Press the guard release button and turn the guard until it engages in the desired position.
 - ▶ The guard release button jumps back.

6.5.2 Adjusting standard guard

- ▶ Press the guard release button and turn the guard until it engages in the desired position.

6.5.3 Removing standard guard

1. Press the guard release button and turn the guard until the triangular marks on the guard and on the product are in alignment.
2. Remove the guard.

6.6 Fitting or removing the front cover

The front cover must be in position on the standard guard.

1. Position the front cover, with the closed side facing up, on the standard guard.
 - ▶ The lock must engage with an audible click.
2. To remove, open the lock of the front cover.
3. Remove the front cover from the standard guard.

6.7 Installing the Hilti retaining strap (optional)

When working with the product, you must comply with national regulations for working at heights. Comply with the operating instructions of the retaining strap.

1. Position the two tabs of the retaining strap accurately on the spark guard.
2. Secure the retaining strap with the corresponding screws through the holes provided in the spark guard.
3. Insert the battery. → page 12

6.8 Fall arrest

WARNING

Risk of injury by falling tool and/or accessory!

- ▶ Use only the **Hilti** tool tether recommended for your product.
- ▶ Prior to each use, always check the attachment point of the tool tether for possible damage.

Comply with the national regulations for working at heights.



As drop arrester for this product, use only a combination of the **Hilti** retaining strap and the **Hilti** tool tether #2261970.

- ▶ Secure the retaining strap to the installation openings for accessories. Check that it holds securely.
- ▶ Secure one carabiner of the tool tether to the retaining strap and secure the second carabiner to a load-bearing structure. Check that both carabiners hold securely.



Comply with the operating instructions of the **Hilti** retaining strap and those of the **Hilti** tool tether.

6.9 Fitting and removing accessory tools



CAUTION

Risk of injury. The accessory tool may be hot.

- ▶ Wear protective gloves when changing the accessory tool.



CAUTION

Danger if accessory tool with integrated thread works loose! Incorrect installation of the accessory tool can result in serious injury.

- ▶ Always tighten the accessory tool with integrated thread until it is hand-tight.



Diamond wheels must be replaced when their cutting or grinding performance drops significantly. This generally is the case when the segments reach a height of less than 1/16".

Other wheels must be replaced when their cutting performance drops significantly or other parts of the angle grinder (not the wheel) come into contact with the material you are working on.

Abrasive wheels must be replaced when their expiry date has been reached.

6.9.1 Installing accessory tool



WARNING

Risk of injury. The accessory tool may work loose due to the braking effect of the motor.

- ▶ Wait until the accessory tool has come to a standstill before touching or gripping the accessory tool or the clamping nut.
- ▶ Secure the accessory tool by tightening the clamping flange and clamping nut firmly so that no parts work loose from the spindle due to the braking effect of the motor.

1. Clean the clamping flange and the clamping nut.
2. Check that the O-ring is in place in the clamping flange and that it is undamaged.
 - ▶ Replace the O-ring if it is missing or damaged.
3. Fit the clamping flange on to the spindle (keyed fit to prevent slipping and rotation).
4. Fit the accessory tool.
5. Screw on the clamping nut corresponding to the type of accessory tool fitted.
6. Press the spindle lock button and hold it in this position.
7. Use the pin wrench to tighten the clamping nut securely, then release the spindle lock button and remove the wrench.

6.9.2 Removing the accessory tool



WARNING

Risk of breakage and irreparable damage. If the spindle lockbutton is pressed while the spindle is rotating, the accessory tool can detach from the power tool.

- ▶ Press the spindle lockbutton only when the spindle has stopped rotating.
1. Press the spindle lock button and hold it in this position.
 2. Release the clamping nut by gripping it with the wrench and turning the nut counterclockwise.
 3. Release the spindle lock button and remove the accessory tool.



6.9.3 Installing Kwik lock **10**

WARNING

Risk of breakage. Heavy wear (abrasion) may cause the **Kwik lock** nut to break.

- ▶ When working with the power tool, make sure that the **Kwik lock** nut doesn't come into contact with the working surface.
- ▶ Do not use a damaged **Kwik lock** nut.



The optional **Kwik lock** nut can be used instead of the standard clamping nut. Accessory tools (wheels etc.) can then be changed without need for additional tools (keyless system).

1. Clean the clamping flange and the clamping nut.
2. Check that the O-ring is in place in the clamping flange and that it is undamaged.
 - ▶ Replace the O-ring if it is missing or damaged.
3. Fit the clamping flange on to the spindle (keyed fit to prevent slipping and rotation).
4. Fit the accessory tool.
5. Screw on the **Kwik lock** nut until it is seated against the accessory tool.
 - ▶ The name **Kwik lock** should be visible when the nut is screwed on.
6. Press and hold down the spindle lock button.
7. Firmly turn the accessory tool by hand clockwise until the **Kwik lock** nut is tight.
8. Release the spindle lock button.

6.9.4 Fitting a threaded accessory tool

1. Screw the accessory tool onto the drive spindle.
2. Press the spindle lock button and hold it in this position.
3. Use an open-end wrench to tighten the accessory tool securely and then release the spindle lock button.

6.9.5 Removing a threaded accessory tool

WARNING

Risk of breakage and irreparable damage. If the spindle lockbutton is pressed while the spindle is rotating, the accessory tool can detach from the power tool.

- ▶ Press the spindle lockbutton only when the spindle has stopped rotating.

1. Press the spindle lock button and hold it in this position.
2. Use an open-end wrench to release the accessory tool.
3. Release the spindle lock button and remove the accessory tool.

6.9.6 Fitting the wire brush **11**

1. Fit the side handle. → page 12
2. Install the standard guard.
3. Place the wire brush in position and tighten it hand-tight.
4. Press the spindle lock button and hold it in this position.
5. Tighten the wire brush with a suitable open-end wrench.
6. Then release the spindle lock button and remove the open-end wrench.

6.9.7 Fitting the abrasive resin-fiber wheel **12**

1. Fit the side handle. → page 12
2. Install the standard guard.
3. Fit the support plate and the abrasive resin-fiber wheel, screw on the clamping nut and tighten it securely.
4. Press the spindle lock button and hold it in this position.
5. Use the pin wrench to tighten the clamping nut.
6. Release the spindle lock button and remove the pin wrench.



7 Operation

7.1 Switching on

1. Press the rear section of the on/off switch.
2. Slide the on/off switch forward.
 - ▶ The motor runs.
3. Lock the on/off switch.

7.2 Grinding

WARNING

Risk of injury. The accessory tool may suddenly stick or stall.

- ▶ Use the product with the side handle fitted and always hold the product securely with both hands.
-

Do not allow the accessory tool to jam and avoid excessive pressure on the product.

7.3 Cutting

- ▶ When cutting, keep the rate of advance moderate and do not tilt the product or the cut-off wheel to either side (working position is at approx. 90° to the cutting plane).



For best results when cutting profiles and small rectangular tube, start cutting with the cut-off wheel at the smallest cross-section.

7.4 Rough grinding

WARNING

Risk of injury. The abrasive cut-off wheel could shatter and flying fragments may cause injury.

- ▶ Never use abrasive cut-off wheels for grinding.
- ▶ Move the product to and fro while maintaining a 5° to 30° angle of attack and applying moderate pressure.
 - ▶ This will avoid overheating and discoloration of the workpiece and help ensure an even surface finish.

7.5 Switching off

- ▶ Press the rear section of the on/off switch.
 - ▶ The on/off switch jumps into the off position and the motor stops.

8 Care and maintenance

WARNING

Risk of injury with battery inserted !

- ▶ Always remove the battery before carrying out care and maintenance tasks!
-

DANGER

Electric shock due to breakdown of protective insulation. When working on metal under extreme conditions, conductive dust (e.g. metal, carbon fiber) may accumulate inside the power tool, thereby adversely affecting the protective insulation.

- ▶ Use a stationary dust extraction system when working under extreme conditions.
 - ▶ Clean the air vents frequently.
-

Care of the product

- Carefully remove stubborn dirt.
- Use only a slightly damp cloth to clean the housing. Do not use cleaning agents containing silicone as these can attack the plastic parts.
- Use a dry, clean cloth to clean the contacts of the product.

Care of the Li-ion batteries

- Never use a battery with clogged air vents. Clean the air vents carefully using a dry, soft brush.



- Avoid unnecessary exposure of the battery to dust and dirt. Never expose the battery to high levels of moisture (e.g. by being dipped in water or left in the rain).
If a battery has been soaked by moisture, treat it as a damaged battery. Isolate it in a non-flammable container and consult **Hilti Service**.
- Keep the battery free of extraneous oil and grease. Do not permit dust or dirt to accumulate unnecessarily on the battery. Clean the battery with a dry, soft brush or a clean, dry cloth. Do not use cleaning agents containing silicone as these can attack the plastic parts.
Do not touch the contacts of the battery and do not remove the factory-applied grease from the contacts.
- Use only a slightly damp cloth to clean the housing. Do not use cleaning agents containing silicone as these can attack the plastic parts.

Maintenance

- Check all visible parts and controls for signs of damage at regular intervals and make sure that they all function correctly.
- Do not use the product if signs of damage are found or if parts malfunction. Immediately have the product repaired by **Hilti Service**.
- After cleaning and maintenance, install all guards and protective devices and check that they are in full working order.



To help ensure safe and reliable operation, use only genuine Hilti spare parts and consumables. Spare parts, consumables and accessories approved by **Hilti** for use with your product can be found at your **Hilti Store** or online at: www.hilti.group

9 Transport and storage of cordless tools and batteries

Transport

CAUTION

Accidental starting during transport !

- ▶ Always transport your products with the batteries removed!
- ▶ Remove the battery/batteries.
- ▶ Never transport batteries loose and unprotected. During transport, batteries should be protected from excessive shock and vibration and isolated from any conductive materials or other batteries that may come in contact with the terminals and cause a short circuit. **Comply with the locally applicable regulations for transporting batteries.**
- ▶ Do not send batteries through the mail. Consult your shipper for instructions on how to ship undamaged batteries.
- ▶ Prior to each use and before and after prolonged transport, check the product and the batteries for damage.

Storage

WARNING

Accidental damage caused by defective or leaking batteries !

- ▶ Always store your products with the batteries removed!
- ▶ Store the product and the batteries in a cool and dry place. Comply with the temperature limits stated in the technical data.
- ▶ Do not store batteries on the charger. Always remove the battery from the charger when the charging operation has completed.
- ▶ Never leave batteries in direct sunlight, on sources of heat, or behind glass.
- ▶ Store the product and batteries where they cannot be accessed by children or unauthorized persons.
- ▶ Prior to each use and before and after prolonged storage, check the product and the batteries for damage.

10 Troubleshooting

If a problem occurs, always observe the charge-status and fault indicator of the battery. See the section headed **Status indicators of the Li-ion battery**.

If the trouble you are experiencing is not listed in this table or you are unable to rectify the problem by yourself, contact **Hilti Service**.



Trouble or fault	Possible cause	Action to be taken
The product can't be switched on.	Battery is discharged.	▶ Change the battery and charge the empty battery.
The battery runs down more quickly than usual.	Very low ambient temperature.	▶ Allow the battery to warm up slowly to room temperature.
The battery doesn't engage with an audible click.	The retaining lug on the battery is dirty.	▶ Clean the retaining lug and re-insert the battery.
The angle grinder or battery gets very hot.	Electrical fault	▶ Switch the product off immediately, remove the battery, keep it under observation, allow it to cool down and contact Hilti Service .
	Clogged air vents	▶ Regularly clean the air vents.
The motor has no braking effect.	Battery is discharged.	▶ Change the battery and charge the empty battery.
	Product is momentarily overloaded.	▶ Switch the product off and then on again.

11 Disposal

WARNING

Risk of injury due to incorrect disposal! Health hazards due to escaping gases or liquids.

- ▶ DO NOT send batteries through the mail!
- ▶ Cover the terminals with a non-conductive material (such as electrical tape) to prevent short circuiting.
- ▶ Dispose of your battery out of the reach of children.
- ▶ Dispose of the battery at your **Hilti Store**, or consult your local governmental garbage disposal or public health and safety resources for disposal instructions.

Most of the materials from which **Hilti** products are manufactured can be recycled. The materials must be correctly separated before they can be recycled. In many countries, your old tools, machines or appliances can be returned to **Hilti** for recycling. Ask **Hilti Service** or your Hilti sales representative for further information.



- ▶ Do not dispose of power tools, electronic equipment or batteries as household waste!

12 Manufacturer's warranty

- ▶ Please contact your local **Hilti** representative if you have questions about the warranty conditions.

13 Further information

For more information on operation, technology, environment and recycling, follow this link: qr.hilti.com/manual/?id=2252234&id=2272270

This link is also to be found at the end of the documentation, in the form of a QR code.

Mode d'emploi original

1 Indications relatives au mode d'emploi

1.1 À propos de ce mode d'emploi

- Avant de mettre l'appareil en marche, lire impérativement ce mode d'emploi. C'est la condition préalablement requise pour assurer la sécurité du travail et un maniement sans perturbations.
- Bien respecter les consignes de sécurité et les avertissements du présent mode d'emploi ainsi que celles figurant sur le produit.



- Toujours conserver le mode d'emploi à proximité du produit et uniquement transmettre le produit à des tiers accompagné de ce mode d'emploi.

1.2 Explication des symboles

1.2.1 Avertissements

Les avertissements attirent l'attention sur des dangers liés à l'utilisation du produit. Les termes de signalisation suivants sont utilisés :



DANGER !

- ▶ Pour un danger imminent qui peut entraîner de graves blessures corporelles ou la mort.



AVERTISSEMENT !

- ▶ Pour un danger potentiel qui peut entraîner de graves blessures corporelles ou la mort.



ATTENTION !

- ▶ Pour une situation potentiellement dangereuse pouvant entraîner des blessures corporelles ou des dégâts matériels.

1.2.2 Symboles dans la documentation

Les symboles suivants sont utilisés dans la présente documentation :

	Lire le mode d'emploi avant d'utiliser l'appareil
	Pour des conseils d'utilisation et autres informations utiles
	Maniement des matériaux recyclables
	Ne pas jeter les appareils électriques et les accus dans les ordures ménagères

1.2.3 Symboles dans les illustrations

Les symboles suivants sont utilisés dans les illustrations :

	Ces chiffres renvoient à l'illustration correspondante au début du présent mode d'emploi
3	La numérotation détermine la séquence des étapes de travail dans l'image et peut se différencier de celles des étapes de travail dans le texte
	Les numéros de position sont utilisés dans l'illustration Vue d'ensemble et renvoient aux numéros des légendes dans la section Vue d'ensemble du produit
	Ce signe doit inviter à manier le produit en faisant particulièrement attention.

1.3 Symboles spécifiques au produit

1.3.1 Symboles sur le produit

Les symboles suivants peuvent être utilisés sur le produit :

	Porter des lunettes de protection
n	Vitesse de rotation de référence
/min	Tours par minute
RPM	Tours par minute



	Diamètre
	Courant continu
	Pour le tronçonnage, ne pas utiliser le carter standard.
	Toujours travailler avec les deux mains.
	Le produit prend en charge la technologie NFC qui est compatible avec les plates-formes iOS et Android.
Li-Ion	Accu lithium-ions
	Ne jamais utiliser l'accu comme outil de percussion.
	Ne pas laisser tomber l'accu. Ne pas utiliser d'accu ayant subi un choc ou d'autres dommages.
	Série de type d'accu Li-Ion Hilti utilisée. Observer les instructions au chapitre Utilisation conforme à l'usage prévu .
	Si présent sur le produit, c'est que le produit a été certifié conformément aux normes en vigueur par cet organisme de certification pour le marché nord-américain et canadien.

1.4 Informations produit

Les produits sont destinés aux professionnels et ne doivent être utilisés, entretenus et réparés que par un personnel autorisé et formé. Ce personnel doit être spécialement instruit quant aux dangers inhérents à l'utilisation de l'appareil. Le produit et ses accessoires peuvent s'avérer dangereux s'ils sont utilisés de manière incorrecte par un personnel non qualifié ou de manière non conforme à l'usage prévu. La désignation du modèle et le numéro de série figurent sur sa plaque signalétique.

- Inscrivez le numéro de série dans le tableau suivant. Les informations produit vous seront demandées lorsque vous contactez nos revendeurs ou services après-vente.

Caractéristiques produit

Meuleuse d'angle sans fil	AG 4S-22-5
Génération	02
N° de série	

2 Sécurité

2.1 Indications générales de sécurité pour les appareils électriques

⚠ AVERTISSEMENT Lire toutes les consignes de sécurité et instructions, illustrations et caractéristiques techniques, qui accompagnent cet outil électroportatif. Tout manquement à l'observation des instructions suivantes risque de provoquer une électrocution, un incendie et/ou de graves blessures.

Les consignes de sécurité et instructions doivent être intégralement conservées pour les utilisations futures.

La notion d'« outil électroportatif » mentionnée dans les consignes de sécurité se rapporte à des outils électriques raccordés au secteur (avec câble d'alimentation) et à des outils électriques sur accu (sans câble d'alimentation).

Sécurité sur le lieu de travail

- **Conserver la zone de travail propre et bien éclairée.** Un lieu de travail en désordre ou mal éclairé augmente le risque d'accidents.
- **Ne pas faire fonctionner les outils électriques en atmosphère explosive et où se trouvent des liquides, des gaz ou poussières inflammables.** Les outils électriques produisent des étincelles qui peuvent enflammer les poussières ou les fumées.
- **Maintenir les enfants et les personnes présentes à l'écart pendant l'utilisation de l'outil électroportatif.** En cas d'inattention il y a risque de perdre le contrôle de l'appareil.



Sécurité relative au système électrique

- ▶ **La fiche de secteur de l'outil électroportatif doit être adaptée à la prise de courant. Ne jamais modifier la fiche de quelque façon que ce soit. Ne pas utiliser d'adaptateurs avec des outils électriques à branchement de terre.** Des fiches non modifiées et des prises de courant adaptées réduiront le risque de choc électrique.
- ▶ **Éviter le contact physique avec des surfaces mises à la terre tels que tuyaux, radiateurs, cuisinières et réfrigérateurs.** Il y a un risque élevé de choc électrique au cas où votre corps serait relié à la terre.
- ▶ **Ne pas exposer les outils électroportatifs à la pluie ou à l'humidité.** La pénétration d'eau à l'intérieur d'un outil électroportatif augmentera le risque d'un choc électrique.
- ▶ **Ne jamais utiliser le câble de raccordement à d'autres fins que celles prévues, telles que pour porter, accrocher ou débrancher l'outil électroportatif de la prise de courant. Maintenir le câble de raccordement à l'écart de la chaleur, des parties grasses, des bords tranchants ou des parties en mouvement.** Des câbles de raccordement endommagés ou emmêlés augmentent le risque de choc électrique.
- ▶ **Si l'outil électroportatif est utilisé à l'extérieur, utiliser uniquement des câbles de rallonge homologués pour les applications extérieures.** L'utilisation d'un câble de rallonge homologué pour les applications extérieures réduit le risque d'un choc électrique.
- ▶ **Si l'utilisation de l'outil électrique dans un environnement humide ne peut pas être évitée, utiliser un interrupteur de protection contre les courants de court-circuit.** L'utilisation d'un tel interrupteur de protection réduit le risque d'une décharge électrique.

Sécurité des personnes

- ▶ **Rester vigilant, surveiller ce que l'on fait. Faire preuve de bon sens en utilisant l'outil électroportatif. Ne pas utiliser l'outil électroportatif en étant fatigué ou sous l'emprise de l'alcool, de drogues ou de médicaments.** Un moment d'inattention lors de l'utilisation de l'outil électroportatif peut entraîner des blessures graves.
- ▶ **Utiliser un équipement de protection personnel et toujours porter une protection pour les yeux.** Les équipements de protection personnels tels que masque antipoussière, chaussures de sécurité antidérapantes, casque de protection ou protection acoustique suivant l'utilisation de l'outil électroportatif, réduiront le risque de blessures des personnes.
- ▶ **Éviter une mise en service par mégarde. S'assurer que l'outil électroportatif est arrêté avant de le brancher à la source de courant et/ou à l'accu, de le prendre ou de le porter.** Le fait de porter l'outil électroportatif avec le doigt sur l'interrupteur ou de brancher l'appareil sur la source de courant lorsque l'interrupteur est en position de fonctionnement peut entraîner des accidents.
- ▶ **Retirer tout outil de réglage ou toute clé avant de mettre l'outil électroportatif en fonctionnement.** Une clé ou un outil se trouvant sur une partie en rotation peut causer des blessures.
- ▶ **Adopter une bonne posture. Veiller à toujours garder une position stable et équilibrée.** Cela permet un meilleur contrôle de l'outil électroportatif dans des situations inattendues.
- ▶ **S'habiller de manière adaptée. Ne pas porter de vêtements amples ni de bijoux. Garder les cheveux, les vêtements et les gants à distance des parties en mouvement.** Des vêtements amples, des bijoux ou des cheveux longs peuvent être happés par des parties en mouvement.
- ▶ **Si des dispositifs servant à aspirer ou à recueillir les poussières doivent être utilisés, s'assurer qu'ils sont effectivement raccordés et correctement utilisés.** L'utilisation d'un dispositif d'aspiration de la poussière peut réduire les risques dus aux poussières.
- ▶ **Ne pas sous-estimer les mesures de sécurité à prendre et ne pas ignorer sciemment les règles de sécurité applicables aux outils électriques, même si l'on est utilisateur chevronné après de fréquentes utilisations de l'outil électroportatif.** Un manque d'attention peut conduire à de graves blessures en quelques fractions de seconde.

Utilisation et maniement de l'outil électroportatif

- ▶ **Ne pas forcer l'appareil. Utiliser l'outil électroportatif adapté au travail à effectuer.** Un outil électroportatif approprié réalisera mieux le travail et de manière plus sûre au régime pour lequel il a été conçu.
- ▶ **Ne pas utiliser d'outil électroportatif dont l'interrupteur est défectueux.** Tout outil électroportatif qui ne peut plus être mis en ou hors fonctionnement est dangereux et doit être réparé.
- ▶ **Débrancher la fiche de la prise de courant et/ou l'accu amovible avant d'effectuer des réglages sur l'appareil, de changer les accessoires, ou de ranger l'appareil.** Cette mesure de précaution empêche une mise en fonctionnement par mégarde de l'outil électroportatif.
- ▶ **Conserver les outils électroportatifs non utilisés hors de portée des enfants. Ne permettre l'utilisation de l'appareil à aucune personne qui ne soit pas familiarisée avec celui-ci ou qui n'a pas lu ces instructions.** Les outils électroportatifs sont dangereux lorsqu'ils sont entre les mains de personnes non initiées.



- ▶ **Prendre soin des outils électroportatifs et des accessoires. Vérifier que les parties en mouvement fonctionnent correctement et qu'elles ne sont pas coincées, et contrôler si des parties sont cassées ou endommagées de sorte que le bon fonctionnement de l'outil électroportatif s'en trouve entravé. Faire réparer les parties endommagées avant d'utiliser l'appareil.** De nombreux accidents sont dus à des outils électroportatifs mal entretenus.
- ▶ **Garder les outils de coupe affûtés et propres.** Des outils destinés à couper correctement entretenus avec des arêtes de coupe tranchantes sont moins susceptibles de bloquer et sont plus faciles à contrôler.
- ▶ **L'outil électroportatif, les accessoires, les outils amovibles, etc. doivent être utilisés conformément à ces instructions. Tenir également compte des conditions de travail et du travail à réaliser.** L'utilisation des outils électroportatifs à d'autres fins que celles prévues peut entraîner des situations dangereuses.
- ▶ **Veiller à ce que les poignées et surfaces de préhension soient toujours être sèches, propres et exemptes de traces de graisse ou d'huile.** Avec des poignées et surfaces de préhension glissantes, la sécurité et le contrôle de l'outil électroportatif ne peuvent être assurés dans des situations inopinées.

Utilisation et manieement de l'outil sur accu

- ▶ **Ne charger les accus que dans des chargeurs recommandés par le fabricant.** Si un chargeur approprié à un type spécifique d'accu est utilisé avec des accus non recommandés pour celui-ci, il y a risque d'incendie.
- ▶ **Dans les outils électroportatifs, utiliser uniquement les accus spécialement prévus pour ceux-ci.** L'utilisation de tout autre accu peut entraîner des blessures et des risques d'incendie.
- ▶ **Tenir l'accu non utilisé à l'écart de tous objets métalliques tels qu'agrafes, pièces de monnaie, clés, clous, vis ou autres, étant donné qu'un pontage peut provoquer un court-circuit.** Un court-circuit entre les contacts d'accu peut provoquer des brûlures ou un incendie.
- ▶ **En cas d'utilisation abusive, du liquide peut sortir de l'accu. Éviter tout contact avec ce liquide. En cas de contact par mégarde, rincer soigneusement avec de l'eau. Au cas où le liquide rentrerait dans les yeux, consulter en plus un médecin.** Le liquide qui sort de l'accu peut entraîner des irritations de la peau ou causer des brûlures.
- ▶ **Ne pas utiliser d'accu endommagé ou modifié.** Des accus endommagés ou modifiés peuvent avoir un comportement imprévisible et provoquer un incendie, une explosion ou engendrer un risque de blessures.
- ▶ **Ne jamais exposer l'accu au feu ou à des températures trop élevées.** Le feu ou des températures supérieures à 130 °C (265 °F) peuvent provoquer une explosion.
- ▶ **Suivre toutes les instructions de charge et ne jamais charger l'accu ou l'outil sur accu hors de la plage de températures spécifiée dans le manuel d'utilisation.** Une charge inappropriée ou hors de la plage de températures spécifiée risque d'endommager l'accu et accroître le risque d'incendie.

Service

- ▶ **L'outil électroportatif doit uniquement être réparé par un personnel qualifié et seulement avec des pièces de rechange d'origine.** Ceci permet d'assurer la sécurité de l'appareil.
- ▶ **Ne jamais entretenir d'accus endommagés.** Toutes les opérations d'entretien sur des accus doivent exclusivement être réalisées par le fabricant ou un prestataire de service client agréé.

2.2 Consignes de sécurité pour tous les travaux

Consignes de sécurité générales pour le meulage, le ponçage au papier émeri, les travaux avec des brosses métalliques, le polissage et le tronçonnage :

- ▶ **Cet outil électroportatif doit être utilisé comme meuleuse, meuleuse au papier abrasif, brosse métallique, polisseuse, emporte-pièces et tronçonneuse. Tenir compte de toutes les indications de sécurité, instructions, illustrations et données qui accompagnent l'appareil.** Le non-respect des instructions suivantes peut entraîner un choc électrique, un incendie et/ou de graves blessures sur les personnes.
- ▶ **Ne pas modifier l'outil électroportatif pour qu'il fonctionne d'une manière non spécialement conçue et spécifiée par le fabricant de l'outil.** Une telle modification peut entraîner une perte de contrôle et causer des blessures graves.
- ▶ **N'utiliser aucun accessoire qui n'a pas été spécifiquement développé et homologué par le fabricant pour cet outil électroportatif.** Le simple fait de pouvoir fixer l'accessoire sur l'outil électroportatif ne garantit pas une utilisation sûre.
- ▶ **La vitesse admissible de l'outil amovible doit au moins être égale à la vitesse supérieure indiquée sur l'outil électroportatif.** Les accessoires dont la vitesse de rotation est supérieure à celle admissible risquent de se briser ou de voltiger.



- ▶ **Le diamètre extérieur et l'épaisseur de l'outil amovible doivent correspondre aux cotes de l'outil électroportatif.** Des outils amovibles mal dimensionnés peuvent ne pas être suffisamment protégés ou contrôlés.
- ▶ **Les outils amovibles munis d'un filetage doivent correspondre exactement au filetage de la broche de meulage.** Dans le cas d'outils amovibles qui sont montés au moyen d'une bride, le diamètre du trou de l'outil amovible doit coïncider avec le diamètre de préhension de la bride. Les outils amovibles qui ne s'adaptent pas exactement à l'outil électroportatif ne tournent pas de manière uniforme, vibrent fortement et risquent d'entraîner une perte de contrôle.
- ▶ **Ne pas utiliser d'outils amovibles endommagés.** Avant chaque utilisation, vérifier que les outils amovibles tels que les disques à meuler ne sont ni écaillés ni fendus, que les plateaux ne sont pas fendus, usés ou fortement détériorés, et que les brosses métalliques n'ont pas de fils manquants ou cassés. En cas de chute de l'outil électroportatif ou de l'outil amovible, contrôler s'il est endommagé et, le cas échéant, utiliser un outil amovible non endommagé. Une fois l'outil amovible contrôlé et monté, l'utilisateur ainsi que les personnes se trouvant à proximité doivent se tenir en dehors du plan de l'outil amovible rotatif et veiller à laisser tourner l'appareil pendant une minute à la vitesse de rotation maximale. Les outils amovibles endommagés se cassent le plus souvent lors de cette période de test.
- ▶ **Porter des équipements de protection individuelle.** Utiliser, selon l'application, une protection du visage, une protection des yeux ou des lunettes de protection. Dans la mesure où ces équipements sont appropriés, porter un masque anti-poussière, un casque antibruit, des gants de protection ou un tablier spécial qui permettent de maintenir à distance les petites particules de matériau et de meulage. Les yeux devraient être protégés contre les corps étrangers projetés en l'air, produits par diverses applications. Les masques anti-poussière ou respiratoire doivent filtrer la poussière résultant de l'utilisation. En cas d'exposition prolongée à un bruit important, il y a risque de perte d'audition.
- ▶ **Veiller à ce que les autres personnes se tiennent à une distance de sécurité de l'espace de travail.** Toute personne accédant à l'espace de travail doit porter des équipements de protection individuelle. Des éclats de la pièce travaillée ou des outils amovibles cassés risquent d'être projetés en l'air et de provoquer des blessures même à l'extérieur de l'espace de travail direct.
- ▶ **Tenir l'outil électroportatif seulement par les surfaces isolées des poignées lors des travaux pendant lesquels l'appareil utilisé risque de toucher des câbles électriques cachés.** Le contact avec un câble sous tension risque aussi de mettre les parties métalliques de l'appareil sous tension et de provoquer une décharge électrique.
- ▶ **Tenir le câble d'alimentation réseau éloigné des outils amovibles rotatifs.** En cas de perte de contrôle de l'appareil, le câble d'alimentation réseau peut être sectionné ou intercepté, et la main ou le bras de l'utilisateur risque de toucher l'outil amovible rotatif.
- ▶ **Ne jamais poser l'outil électroportatif avant que l'outil amovible soit complètement arrêté.** L'outil amovible rotatif peut entrer en contact avec la surface sur laquelle l'outil électroportatif est posé, risquant d'entraîner ainsi une perte de contrôle de l'outil électroportatif.
- ▶ **Ne pas laisser l'outil électroportatif tourner en le portant.** Les vêtements risquent d'être happés par un contact accidentel avec l'outil amovible rotatif et l'outil amovible risque de perforer le corps de l'utilisateur.
- ▶ **Nettoyer régulièrement les fentes de ventilation de l'outil électroportatif.** Le ventilateur du moteur attire la poussière dans le carter, et une forte accumulation de poussière métallique peut représenter des dangers électriques.
- ▶ **Ne pas utiliser l'outil électroportatif à proximité de matériaux inflammables.** Des étincelles risquent d'enflammer ces matériaux.
- ▶ **Ne pas utiliser d'outils amovibles qui requièrent l'utilisation de réfrigérants liquides.** L'utilisation d'eau ou d'autres réfrigérants liquides risque de provoquer une décharge électrique.

Contrecoup et indications de sécurité correspondantes

Un contrecoup est une réaction soudaine d'un outil amovible rotatif qui est resté accroché ou bloqué, comme un disque à meuler, un plateau de ponçage, une brosse métallique, etc. L'accrochage ou le blocage entraîne un arrêt brutal de l'outil amovible rotatif. De ce fait, un outil électroportatif incontrôlé est accéléré, à l'endroit du blocage, dans le sens de rotation opposé à celui de l'outil amovible.

Si par ex. un disque à meuler reste accroché ou se bloque dans la pièce travaillée, l'arrêt du disque à meuler plongée dans la pièce peut rester accrochée et provoquer l'éclatement du disque à meuler ou un contrecoup. Le disque à meuler se déplace ensuite vers l'utilisateur ou s'éloigne de lui, selon le sens de rotation du disque à l'endroit du blocage. Ici aussi les disques à meuler risquent de se casser.

Un contrecoup est la conséquence d'une mauvaise utilisation ou d'une utilisation incorrecte de l'outil électroportatif. Il peut être évité en prenant les mesures de précaution adaptées telles que décrites ci-dessous.

- ▶ **Tenir l'outil électroportatif bien fermement des deux mains et maintenir le corps et les bras dans une position permettant d'amortir la force de contrecoup.** Toujours utiliser la poignée



supplémentaire, si celle-ci est présente, afin d'avoir le meilleur contrôle possible sur les forces de contrecoup ou les couples antagonistes lors de l'accélération à pleine vitesse. L'utilisateur peut maîtriser les forces de contrecoup et antagonistes en prenant les précautions appropriées.

- ▶ **Ne jamais approcher la main des outils amovibles rotatifs.** En cas de contrecoup, l'outil amovible risque d'aller sur la main de l'utilisateur.
- ▶ **Éviter de se tenir dans l'espace dans lequel l'outil électroportatif serait en mouvement en cas de contrecoup.** Le contrecoup entraîne l'outil électroportatif dans le sens opposé au déplacement du disque à l'endroit du blocage.
- ▶ **Travailler avec une extrême prudence dans les coins, arêtes vives, etc. Éviter que les outils amovibles rebondissent sur la pièce à travailler et se coincent.** L'outil amovible rotatif a tendance à se coincer dans les coins, sur les arêtes vives ou lorsqu'il rebondit. Ceci entraîne une perte de contrôle ou un contrecoup.
- ▶ **Ne pas utiliser de lames de scie à chaîne ou dentées, tout comme ne pas utiliser de disques diamants segmentés présentant des fentes supérieures à 10 mm.** De tels outils amovibles entraînent souvent un contrecoup ou la perte de contrôle de l'outil électroportatif.

Consignes de sécurité particulières pour le meulage et le tronçonnage

- ▶ **Utiliser exclusivement les disques autorisés pour l'outil électroportatif concerné et les carters de protection prévus pour ces disques.** Les disques qui ne sont pas conçus pour l'outil électroportatif peuvent ne pas être suffisamment protégés et ne sont pas sûrs.
- ▶ **Les disques à meuler couvés doivent être montés de sorte que leur surface de meulage ne dépasse pas le bord du carter de protection.** Un disque à meuler monté de manière inappropriée, c.-à-d. dont la surface de meulage dépasse le bord du carter de protection, ne peut pas être suffisamment protégé.
- ▶ **Le carter de protection doit être solidement fixé sur l'outil électroportatif et réglé de manière à atteindre la sécurité maximale, c.-à-d. que la plus petite partie possible du disque doit être ouverte en direction de l'utilisateur.** Le carter de protection doit protéger l'utilisateur des éclats et d'un contact accidentel avec le disque, ainsi que des étincelles qui risquent d'enflammer les vêtements.
- ▶ **Les disques doivent uniquement être utilisés pour les possibilités d'applications homologuées. Par exemple : Ne jamais meuler avec la surface latérale d'un disque à tronçonner.** Les disques à tronçonner sont prévus pour attaquer le matériau avec l'arête du disque. Une action latérale sur ces disques risque de les casser.
- ▶ **Toujours utiliser des brides de serrage en parfait état, de dimensions et de forme adaptées au disque à meuler choisi.** Des brides adaptées soutiennent le disque et réduisent le risque de cassure du disque à meuler. Les brides de serrage destinées aux disques à tronçonner peuvent être différentes des brides pour d'autres disques à meuler.
- ▶ **Ne pas utiliser de disques à meuler usés provenant d'outils électroportatifs plus grands.** Les disques à meuler destinés aux outils électroportatifs plus grands ne sont pas dimensionnés pour les vitesses supérieures des outils électroportatifs plus petits et risquent de se casser.
- ▶ **Avec des disques à double usage, toujours utiliser le carter de protection prévu pour l'application correspondante.** L'utilisation d'un mauvais carter de protection n'offre qu'une protection insuffisante et peut entraîner de graves blessures.

Autres consignes de sécurité particulières relatives au tronçonnage :

- ▶ **Éviter de bloquer le disque à tronçonner et de le soumettre à une pression trop forte. Ne pas effectuer de coupes de profondeur excessive.** Une surcharge du disque à tronçonner augmente sa sollicitation et la probabilité de pliage ou blocage, et par conséquent l'éventualité d'un contrecoup ou de cassure du disque.
- ▶ **Éviter la zone devant et derrière le disque à tronçonner rotatif.** Si l'utilisateur écarte de lui le disque à tronçonner dans la pièce à travailler, l'outil électroportatif avec le disque rotatif risquent, en cas de contrecoup, d'être projetés directement sur l'utilisateur.
- ▶ **Si le disque à tronçonner se coince ou que le travail est interrompu, débrancher l'appareil et attendre tranquillement jusqu'à ce que le disque s'arrête. Ne jamais essayer de sortir le disque à tronçonner encore en rotation de la coupe, sans quoi un contrecoup risque de se produire.** Déterminer et résoudre la cause du coincement.
- ▶ **Ne jamais remettre l'outil électroportatif en marche tant qu'il se trouve dans la pièce à travailler. Attendez que le disque à tronçonner atteigne la pleine vitesse avant de poursuivre prudemment la coupe.** Dans le cas contraire, le disque risque de s'accrocher, de sauter de la pièce ou d'entraîner un contrecoup.
- ▶ **Soutenir les panneaux ou grandes pièces à travailler afin de réduire le risque d'un contrecoup causé par un disque à tronçonner coincé.** De grandes pièces à travailler peuvent se courber sous leur propre poids. La pièce à travailler doit être soutenue des deux côtés du disque et ce, aussi bien à proximité de la coupe que sur l'arête.



- ▶ **Procéder avec une extrême prudence en cas de « coupes en plongée » dans des murs existants ou autres zones imprévisibles.** Le disque à tronçonner plongeant risque de sectionner des conduites d'eau ou de gaz, des câbles ou gaines électriques, ou d'autres objets, et de causer un contrecoup.
- ▶ **Ne pas tenter de tronçonner en courbe.** Une surcharge du disque à tronçonner augmente sa sollicitation et la probabilité de pliage ou blocage et, par conséquent, l'éventualité d'un contrecoup ou de cassure du disque, ce qui peut entraîner de graves blessures.

Consignes de sécurité particulières pour le meulage au papier abrasif :

- ▶ **Utiliser uniquement des feuilles abrasives de taille appropriée. Respecter les instructions du fabricant concernant la taille de la feuille abrasive.** Les feuilles abrasives qui dépassent trop du plateau de ponçage peuvent provoquer des blessures et entraîner le blocage, des déchirures des feuilles ou un contrecoup.

Consignes de sécurité particulières pour le polissage :

- ▶ **Veiller à ce que toutes les pièces du carter de polissage soient attachées, en particulier les cordons de fixation. Arrimer ou raccourcir les cordons de fixation.** Des cordons de fixation détachés, entraînés dans le mouvement de rotation, risquent de happer les doigts de l'utilisateur ou d'être pris dans la pièce à travailler.

Consignes de sécurité particulières pour les travaux avec brosses métalliques :

- ▶ **Veiller à ce que la brosse métallique ne perde pas de morceaux de fil pendant l'usage courant. Ne pas surcharger les fils du fait d'une pression exercée trop importante.** Les morceaux de fil en suspension dans l'air peuvent très facilement passer à travers les vêtements fins et/ou la peau.
- ▶ **Si un carter de protection est prescrit, éviter que le carter de protection et la brosse métallique ne se touchent.** Le diamètre des brosses plateaux et « boisseau » peut être agrandi sous l'effet de la pression exercée et les forces centrifuges.

2.3 Consignes de sécurité supplémentaires

Sécurité des personnes

- ▶ Utiliser le produit et les accessoires uniquement s'ils sont en parfait état.
- ▶ Ne jamais entreprendre de manipulation ni de modification sur le produit ou les accessoires.
- ▶ Toujours tenir le produit des deux mains par les poignées prévues à cet effet. Veiller à ce que les poignées soient toujours sèches, propres et exemptes de traces de graisse et d'huile.
- ▶ Si le produit est utilisé sans dispositif d'aspiration de la poussière, il faut porter un masque respiratoire léger lors des travaux dégageant de la poussière.
- ▶ Faire régulièrement des pauses et des exercices pour favoriser l'irrigation sanguine dans les doigts. En cas de travaux prolongés, les fortes vibrations peuvent perturber la circulation dans les vaisseaux sanguins ou le système nerveux dans les doigts, les mains ou le poignet.
- ▶ Éviter de toucher des pièces en rotation. N'allumer le produit que dans la zone de travail. Le fait de toucher des pièces en rotation, en particulier des outils en rotation, risque d'entraîner des blessures.
- ▶ Attendre jusqu'à ce que le produit soit complètement arrêté avant de le déposer.
- ▶ Le produit n'est pas destiné à être utilisé par des personnes affaiblies sans encadrement. Tenir le produit à l'écart des enfants.
- ▶ La poussière générée par le meulage, le ponçage, le tronçonnage et le forage peut contenir des produits chimiques dangereux. Par exemple : plomb ou peinture à base de plomb ; brique, béton et autres produits de maçonnerie, pierre naturelle et autres produits contenant des silicates ; certains bois, tels que le chêne, le hêtre et le bois traité chimiquement ; amiante ou matériaux contenant de l'amiante. Déterminer l'exposition de l'opérateur et personnes se trouvant dans l'entourage en fonction de la classe de danger des matériaux traités. Prendre les mesures nécessaires pour maintenir l'exposition à un niveau sûr, par exemple en utilisant un système de collecte des poussières ou en portant une protection respiratoire appropriée. Mesures générales visant à réduire l'exposition :
 - ▶ Travailler dans un endroit bien ventilé
 - ▶ Éviter le contact prolongé avec la poussière
 - ▶ Faire en sorte que la poussière soit dirigée loin du visage et du corps
 - ▶ Porter des vêtements de protection et laver les zones exposées à l'eau et au savon
- ▶ Pendant l'utilisation du produit, l'utilisateur et les personnes se trouvant à proximité doivent porter des lunettes de protection, un casque de protection et un casque antibruit.
- ▶ Porter des gants de protection pour changer d'outil. Risque de blessures par coupure et de brûlures au contact avec l'outil amovible.
- ▶ Risque de blessures dues à la chute d'outils et/ou d'accessoires. Avant de commencer à travailler, contrôler si l'accu et l'accessoire monté sont solidement fixés.
- ▶ Gardez toujours les ouïes d'aération dégagées. Risque de brûlures si les ouïes d'aération sont couvertes !



- ▶ Ne mettre le produit en marche qu'après l'avoir mis en position de travail.
- ▶ Attendre jusqu'à ce que le produit soit complètement arrêté avant de le déposer.
- ▶ Si le produit détecte un dépassement des valeurs limites de fonctionnement ou un accu vide, il peut arriver que l'outil ne soit pas freiné par le moteur.
- ▶ Ne pas fixer de mousqueton de ceinture à ce produit.

Utilisation et emploi soigneux de l'outil électroportatif

- ▶ Stocker et manipuler les disques conformément aux instructions du fabricant.
- ▶ Ne jamais utiliser le produit sans carter de protection.
- ▶ Bien fixer la pièce. Utiliser des dispositifs de serrage ou un étau pour fixer la pièce. Elle sera ainsi mieux tenue qu'à la main, et en outre, les deux mains restent libres pour commander le produit.
- ▶ Ne jamais ébarber avec un disque à tronçonner.
- ▶ Serrer fermement l'outil amovible et le flasque. Si l'outil amovible et le flasque ne sont pas bien serrés, il y a un risque après l'arrêt que l'outil amovible se détache de la broche lors du freinage par le moteur de l'appareil.

Sécurité relative au système électrique

- ▶ Avant d'entamer le travail, vérifier qu'il n'y a pas de câbles ou gaines électriques, tuyaux de gaz ou d'eau cachés dans la zone d'intervention. Les parties métalliques externes du produit peuvent provoquer un choc électrique ou une explosion si vous endommagez une ligne électrique, une conduite de gaz ou une conduite d'eau.
- ▶ En cas d'usinage fréquent de matériaux conducteurs, faire réviser les produits encrassés à intervalles réguliers par le S.A.V. **Hilti**. Dans de mauvaises conditions d'utilisation, la poussière collée à la surface de l'appareil, surtout la poussière de matériaux conducteurs, ou l'humidité, peut entraîner une électrocution.

Place de travail

- ▶ Lors de travaux d'ajourage, protéger l'espace du côté opposé aux travaux. Des morceaux de matériaux risquent d'être éjectés et / ou de tomber, et de blesser d'autres personnes.
- ▶ Les fentes dans des murs et autres structures porteurs sont susceptibles de modifier la statique de la construction, en particulier lors d'interventions sur des armatures métalliques ou des éléments porteurs. Avant de commencer le travail, consulter le staticien, l'architecte ou le chef de chantier compétent.

2.4 Utilisation et emploi soigneux des batteries

- ▶ **Respecter les consignes de sécurité suivantes relatives à la manipulation et à l'utilisation des accus Li-Ion.** Le non-respect de telles mesures risque de provoquer des irritations cutanées, des blessures graves corrosives, des brûlures chimiques, des incendies et/ou des explosions.
- ▶ Utiliser les accus uniquement dans un état techniquement impeccable.
- ▶ Traiter les accus avec soin pour éviter les endommagement et les fuites de liquides très nocifs pour la santé !
- ▶ Les accus ne doivent en aucun cas être modifiés ou manipulés !
- ▶ Il est interdit de démonter, écraser, chauffer les accus à une température supérieure à 80 °C (176 °F) ou de les jeter au feu.
- ▶ Ne pas utiliser ni recharger d'accus ayant subi un choc ou ayant été endommagés de quel-qu'autre manière. Vérifier régulièrement l'absence de traces d'endommagement sur les accus.
- ▶ Ne jamais utiliser d'accus recyclés ou réparés.
- ▶ Ne jamais utiliser l'accu ni aucun outil électrique sans fil comme outil de percussion.
- ▶ Ne jamais exposer les accus à un rayonnement direct du soleil, des températures élevées, des étincelles ou des flammes nues. Il y a alors risque d'explosions.
- ▶ Ne jamais toucher les pôles avec les doigts, des outils, des bijoux ou tout autre objet métallique. Cela peut endommager l'accu et entraîner des dommages matériels et des blessures.
- ▶ Maintenir les accus à l'abri de la pluie, de l'humidité et des liquides. Toute pénétration d'humidité risque de provoquer un court-circuit, des chocs électriques, des brûlures, des incendies ou des explosions.
- ▶ Utiliser exclusivement les chargeurs et outils électriques prévus pour le type d'accu considéré. Respecter à ce sujet les indications du mode d'emploi correspondant.
- ▶ Ne pas utiliser ni stocker l'accu dans des environnements présentant des risques d'explosion.



- Si l'accu est trop chaud pour être touché, il est probablement défectueux. Placer l'accu dans un endroit bien visible, non inflammable et suffisamment éloigné de matériaux inflammables. Laisser l'accu refroidir. Si, après une heure, l'accu est toujours trop chaud pour être saisi, c'est qu'il est défectueux. Contacter le service après-vente **Hilti** ou consulter le document « Instructions de sécurité et d'utilisation pour les accus Li-Ion **Hilti** ».

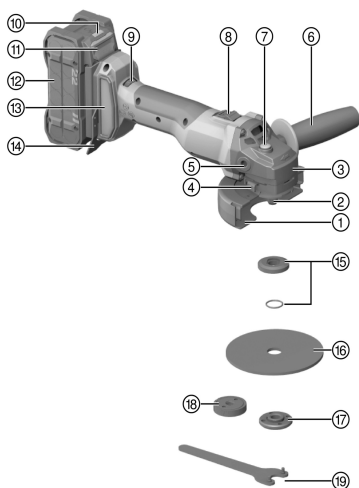


Respecter les directives spécifiques pour le transport, le stockage et l'utilisation d'accus Li-Ion.
→ Page 36

Lire les remarques relatives à la sécurité et à l'utilisation des accus Li-Ion **Hilti** que vous trouverez en scannant le code QR à la fin de ce mode d'emploi.

3 Description

3.1 Vue d'ensemble du produit



- ① Carter de protection standard
- ② Broche
- ③ Flèche indiquant le sens de rotation
- ④ Bouton de déverrouillage des capots
- ⑤ Douille filetée pour poignée
- ⑥ Poignée latérale
- ⑦ Bouton de blocage de la broche
- ⑧ Interrupteur Marche / Arrêt
- ⑨ Réglage de la vitesse
- ⑩ Indicateur d'état - Accu
- ⑪ Bouton de déverrouillage de l'accu
- ⑫ Accu
- ⑬ Filtre à poussières
- ⑭ Tôle de protection contre les étincelles
- ⑮ Flasque de serrage avec joint torique
- ⑯ Disque à tronçonner / disque à ébarber
- ⑰ Écrou de serrage
- ⑱ Écrou à serrage rapide **Kwik lock** (en option)
- ⑲ Clé de serrage

3.2 Utilisation conforme à l'usage prévu

Le produit décrit est une meuleuse d'angle sans fil à guidage manuel. Il a été conçu pour le tronçonnage et l'ébarbage de matériaux métalliques et minéraux, pour le brossage, pour le ponçage au papier de verre, à chaque fois, sans utilisation d'eau. Il doit exclusivement être utilisé pour des travaux de meulage/découpe à sec.

- Pour ce produit, utiliser exclusivement des accus Li-Ion **Hilti** Nuron de la série B 22. Pour une puissance optimale, **Hilti** recommande pour ce produit les accus indiqués dans le tableau à la fin de ce mode d'emploi.
- Pour ces accus, utiliser exclusivement des chargeurs **Hilti** des séries indiquées dans le tableau à la fin de ce mode d'emploi.

3.3 Affichages de l'accu Li-Ion

Les accus Li-Ion **Hilti** Nuron peuvent afficher l'état de charge, les messages d'erreur et l'état de l'accu.



3.3.1 Affichages de l'état de charge et des messages d'erreur

AVERTISSEMENT

Risque de blessures en cas de chute de l'accu !

- ▶ Lorsque l'accu est inséré et après avoir appuyé sur la touche de déverrouillage, s'assurer que l'accu est correctement réenclenché dans le produit utilisé.

Pour consulter un des affichages suivants, appuyer brièvement sur la touche de déverrouillage de l'accu. L'état de charge et les dysfonctionnements possibles sont affichés en permanence tant que le produit raccordé est allumé.

État	Signification
Quatre (4) DEL sont allumées en vert en continu	État de charge : de 100 % à 71 %
Trois (3) DEL sont allumées en vert en continu	État de charge : de 70 % à 51 %
Deux (2) DEL sont allumées en vert en continu	État de charge : de 50 % à 26 %
Une (1) DEL est allumée en vert en continu	État de charge : de 25 % à 10 %
Une (1) DEL clignote lentement en vert	État de charge : < 10 %
Une (1) DEL clignote rapidement en vert	L'accu Li-Ion est entièrement déchargé. Charger l'accu. Si la DEL continue de clignoter rapidement après la charge de l'accu, s'adresser au S.A.V. Hilti .
Une (1) DEL clignote rapidement en jaune	L'accu Li-Ion ou le produit correspondant est surchargé, trop chaud, trop froid ou il y a un autre défaut. Amener le produit et l'accu à la température de travail recommandée et ne pas surcharger le produit pendant son utilisation. Si le message ne disparaît pas, s'adresser au S.A.V. Hilti .
Une (1) DEL est allumée en jaune	L'accu Li-Ion ainsi que le produit connecté ne sont pas compatibles. Merci de s'adresser au S.A.V Hilti .
Une (1) DEL clignote rapidement en rouge	L'accu Li-Ion est verrouillé et ne peut plus être utilisé. Merci de s'adresser au S.A.V Hilti .

3.3.2 Affichages de l'état de l'accu

Pour consulter l'état de l'accu, maintenir la touche de déverrouillage enfoncée pendant plus de trois secondes. Le système ne détecte aucun dysfonctionnement potentiel de la batterie dû à une utilisation incorrecte, par ex. chute, piqûres, dommages externes dus à la chaleur, etc.

État	Signification
Toutes les DEL forment un chenillard, puis une (1) DEL est allumée en vert en continu.	L'accu peut continuer à être utilisé.
Toutes les DEL forment un chenillard, puis une (1) DEL clignote rapidement en jaune.	L'interrogation de l'état de l'accu n'a pas pu être terminée. Répéter la procédure ou s'adresser au S.A.V. Hilti .
Toutes les DEL forment un chenillard, puis une (1) DEL est allumée en rouge en continu.	Si un produit raccordé peut continuer à être utilisé, la capacité résiduelle de l'accu est inférieure à 50 %. Si un produit raccordé ne peut plus être utilisé, l'accu est arrivé à la fin de sa durée de vie et doit être remplacé. Merci de s'adresser au S.A.V Hilti .

3.4 Éléments livrés

Meuleuse d'angle, poignée latérale, carter de protection standard, cache avant, flasque de serrage, écrou de serrage, clé de serrage, filtre à poussière, mode d'emploi.

D'autres produits système pour votre produit peuvent être trouvés dans votre **Hilti Store** ou à l'adresse : www.hilti.group



3.5 ATC

Le produit est équipé de l'arrêt d'urgence électronique ATC (Active Torque Control).

Si l'outil amovible bloque ou se coince, le produit se tourne soudain de manière incontrôlée dans le sens inverse. ATC détecte ce mouvement de pivotement soudain du produit et arrête immédiatement l'appareil.



Pour le bon fonctionnement, le produit doit pouvoir se tourner.
Après activation de l'arrêt d'urgence, éteindre et rallumer le produit.

3.6 Fonction de protection du moteur

La fonction de protection du moteur surveille l'intensité du courant absorbé ainsi que l'échauffement du moteur et protège le produit de toute surchauffe.

Si le moteur vient à être en surcharge du fait d'une pression exercée trop importante, la puissance du produit est considérablement réduite ou le produit peut s'arrêter.



En cas d'arrêt ou de diminution de la vitesse de rotation à cause d'une surcharge, dégager le produit et le laisser tourner à vide pendant 30 secondes environ.

3.7 Frein intégré

Le frein intégré permet de réduire le temps de ralentissement de l'outil à monter jusqu'à l'arrêt.



Cette fonction est seulement assurée tant que le produit est alimenté en courant.
La durée du freinage diffère selon l'outil amovible sélectionné.

3.8 Cache avant

Utiliser le cache avant avec le carter de protection standard pour les applications décrites ci-après :

- ébarbage avec des meules à ébarber droites
- tronçonnage par abrasion avec des meules à tronçonner par abrasion

3.9 Capot dépolvéiseur (tronçonnage) DC-EX 125/5" C capot compact (accessoire)

Utiliser le capot dépolvéiseur compact DC-EX 125/5" C pour le tronçonnage de matériaux support minéraux avec des disques à tronçonner diamant.

Les travaux sur métaux sont interdits avec ce carter.

3.10 Capot dépolvéiseur (tronçonnage) DC-EX 125/5" M (accessoires)

Les travaux de tronçonnage par abrasion et de rainurage sur les matériaux d'origine minérale à l'aide de disques à tronçonner diamantés ne doivent être effectués qu'avec un capot dépolvéiseur.

ATTENTION Les travaux sur métaux sont interdits avec ce capot.

3.11 Capot dépolvéiseur (meulage) DG-EX 125/5" (accessoire)

Le système de meulage est uniquement destiné à un meulage occasionnel de matériaux d'origine minérale à l'aide de disques « boisseau » diamantés.

Les travaux sur métaux sont interdits avec ce carter.

4 Consommables

Utiliser uniquement des disques renforcés aux fibres et liés à la résine avec un Ø 5" (125 mm) max. homologués pour une vitesse de rotation d'au moins 11 000 tr/min et une vitesse périphérique de 262 ft/s (80 m/s).

L'épaisseur du disque ne doit pas dépasser 1/4" (7 mm) maximum.

ATTENTION ! Pour le tronçonnage et le rainurage avec des disques à tronçonner par abrasion, toujours utiliser le carter de protection standard avec cache avant supplémentaire ou un capot dépolvéiseur complètement fermé.



Disques

Type	Application	Nom	Matériau support
Disque à tronçonner abrasif	Tronçonnage, rainurage	AC-D	métallique
Disque à tronçonner diamant	Tronçonnage, rainurage	DC-D (SPX, SP, P)	minéral
Disque à ébarber abrasif	Ébarbage	AG-D, AF-D, AN-D	métallique
Disque à ébarber diamant	Ébarbage	DG-CW (SPX, SP, P)	minéral
Brosse métallique	Brosses métalliques	3CS, 4CS, 3SS, 4SS	métallique
Disque en fibres	Ébarbage	AP-D	métallique

Attribution des disques à l'équipement utilisé

Pos.	Équipement	AC-D	AP-D	AG-D, AF-D, AN-D	DG-CW (SPX, SP, P)	DC-D (SPX, SP, P)	3CS, 4CS, 3SS, 4SS,
A	Carter de protection (standard)	✓	✓	✓	✓	✓	✓
B	Cache avant (en liaison avec A)	✓	—	—	—	✓	—
C	Capot dépoussiéreur (meulage) DG-EX 125/5"	—	—	—	✓	—	—
D	Capot dépoussiéreur (tronçonnage) DC-EX 125/5"C (en liaison avec A)	—	—	—	—	✓	—
E	Capot dépoussiéreur (rainurage) DC-EX 125/5"M	—	—	—	—	✓	—
F	Adaptateur DC-EX SL (en liaison avec E)	—	—	—	—	✓	—
G	Poignée latérale (standard)	✓	✓	✓	✓	✓	✓
H	Écrou de serrage (standard)	✓	—	✓	✓	✓	—
I	Flasque de serrage (standard)	✓	—	✓	✓	✓	—
J	Kwik lock (en option de H)	✓	—	—	—	✓	—
K	Écrou de serrage (disque en fibres)	—	✓	—	—	—	—
L	Disque d'appui (disque en fibres)	—	✓	—	—	—	—

5 Caractéristiques techniques

	AG 4S-22-5
Tension de référence	21,6 V
Vitesse de rotation de référence	8.500 tr/min
Diamètre de disque maximal	5 in
Poids sans accu	2,1 kg (4,6 lb)



	AG 4S-22-5
Filetage de la broche d'entraînement	5/8"-11
Longueur de broche	22 mm (0,9 in)
Température de service en cours de service	-17 °C ... 60 °C (1 °F ... 140 °F)
Température de stockage	-20 °C ... 70 °C (-4 °F ... 158 °F)

5.1 Batterie

Tension nominale de l'accu	21,6 V
Poids de l'accu	Voir à la fin de ce mode d'emploi
Température de service en cours de service	-17 °C ... 60 °C (1 °F ... 140 °F)
Température de stockage	-20 °C ... 40 °C (-4 °F ... 104 °F)
Température de l'accu au début de la charge	-10 °C ... 45 °C (14 °F ... 113 °F)

6 Préparatifs

AVERTISSEMENT

Risque de blessures du fait d'une mise en marche inopinée !

- ▶ Avant d'insérer l'accu, s'assurer que le produit correspondant est bien sur arrêt.
- ▶ Retirer le bloc-accu, avant d'effectuer des réglages sur l'appareil ou de changer les accessoires.

Bien respecter les consignes de sécurité et les avertissements de la présente documentation ainsi que celles figurant sur le produit.

6.1 Recharge de l'accu

1. Avant de commencer la charge, lire le mode d'emploi du chargeur.
2. Veiller à ce que les contacts de l'accu et du chargeur sont propres et secs.
3. Charger l'accu à l'aide d'un chargeur homologué. → Page 27

6.2 Introduction de l'accu

AVERTISSEMENT

Risque de blessures du fait d'un court-circuit ou de la chute de l'accu !

- ▶ Avant d'insérer l'accu dans l'appareil, s'assurer que les contacts de l'accu et les contacts sur le produit sont exempts de corps étrangers.
- ▶ S'assurer que l'accu s'encliquette toujours correctement.

1. L'accu doit être entièrement chargé avant la première mise en service.
2. Introduire l'accu dans le produit jusqu'à ce qu'il s'enclenche de manière audible.
3. Vérifier que l'accu est bien en place.

6.3 Retrait de l'accu

1. Appuyer sur la touche de déverrouillage de l'accu.
2. Retirer l'accu hors du produit.

6.4 Montage de la poignée latérale

- ▶ Visser la poignée latérale sur une des douilles filetéées prévues à cet effet.



6.5 Montage ou démontage du carter de protection

ATTENTION

Risque de blessures. L'outil amovible peut être brûlant ou présenter des arêtes vives.

► Porter des gants de protection pour le montage, le démontage, le réglage/l'ajustage et le dépannage.

- Respecter les instructions de montage relatives au carter de protection utilisé.

6.5.1 Montage du carter de protection standard



Le carter de protection présente des cames codées qui permettent d'assurer que seul un carter de protection approprié peut être monté sur le produit. Le carter de protection glisse avec ses cames codées dans le logement du carter du produit.

1. Positionner le carter de protection sur le collet de la broche de manière à ce que les deux repères en forme de triangle sur le carter de protection et sur le produit soient l'un en face de l'autre.
2. Appuyer sur le carter de protection sur le collet de la broche.
3. Appuyer sur le bouton de déverrouillage du carter et tourner le carter de protection dans la position souhaitée jusqu'à ce qu'il s'encliquette.
 - Le bouton de déverrouillage du carter ressort.

6.5.2 Réglage du carter de protection standard

- Appuyer sur le bouton de déverrouillage du carter et tourner le carter de protection dans la position souhaitée jusqu'à ce qu'il s'encliquette.

6.5.3 Démontage du carter de protection standard

1. Appuyer sur le bouton de déverrouillage du carter et tourner le carter de protection jusqu'à ce que les deux repères en forme de triangle, sur le carter de protection et sur le produit, soient l'un en face de l'autre.
2. Retirer le carter de protection.

6.6 Montage ou démontage du cache avant



Le cache avant doit être enfiché sur le carter de protection standard.

1. Placer le cache avant avec le côté fermé orienté vers le haut sur le carter de protection standard.
 - Le verrouillage doit s'enclencher de manière audible.
2. Pour le démontage, ouvrir le verrouillage du cache avant.
3. Démontez le cache avant pour le détacher du carter de protection standard.

6.7 Montage de la sécurité anti-chute Hilti (en option)



Les directives nationales en vigueur applicables aux travaux en hauteur doivent être respectées lorsque le produit est utilisé.

Respecter le mode d'emploi de la sécurité anti-chute.

1. Poser les deux attaches de la sécurité anti-chute exactement sur la tôle de protection contre les étincelles.
2. Fixer la sécurité anti-chute au moyen des vis correspondantes à travers les trous prévus dans la tôle de protection contre les étincelles.
3. Remettre la batterie en place. → Page 31

6.8 Sécurité anti-chute

AVERTISSEMENT

Risque de blessures en cas de chute de l'outil et/ou des accessoires !

- Utiliser uniquement la longue porte-outil **Hilti** recommandée pour votre produit.
- Contrôler l'état du point de fixation de la longue porte-outil avant chaque utilisation.





Respecter les directives nationales en vigueur pour les travaux en hauteur.

En tant que protection anti-chute pour ce produit, utiliser exclusivement une combinaison de la sécurité anti-chute **Hilti** avec la longe porte-outil **Hilti** #2261970.

- ▶ Fixer la sécurité anti-chute dans les ouvertures de montage pour accessoires. Vérifier qu'elle tient bien.
- ▶ Fixer un mousqueton de la longe porte-outil dans la sécurité anti-chute et le second mousqueton sur une structure porteuse. Vérifier qu'elle tient bien.



Respecter les modes d'emploi de la sécurité anti-chute **Hilti** et de la longe porte-outil **Hilti**.

6.9 Montage ou démontage des outil amovibles

ATTENTION

Risque de blessures. L'outil amovible peut être brûlant.

- ▶ Porter des gants de protection pour changer d'outil amovible.

ATTENTION

Risque de détachement incontrôlé en cas d'utilisation d'un l'outil amovible avec filetage intégré ! Un montage inapproprié de l'outil amovible peut entraîner de graves blessures.

- ▶ Toujours serrer à la main l'outil amovible avec filetage intégré.



Les disques diamantés doivent être remplacés, sitôt que les performances de tronçonnage ou de meulage sont nettement réduites. C'est d'une manière générale le cas, lorsque la hauteur des segments diamantés est inférieure à 1/16".

D'autres types de disques doivent être remplacés sitôt que les performances de tronçonnage sont nettement réduites, ou que des parties de la meuleuse d'angle (hormis le disque) entrent en contact avec le matériau travaillé en cours d'intervention.

Les disques abrasifs doivent être remplacés à expiration de la date de péremption.

6.9.1 Montage de l'outil amovible

AVERTISSEMENT

Risque de blessures. L'outil amovible risque de se détacher de la broche lors du freinage par le moteur de l'appareil.

- ▶ Attendre que l'outil amovible soit complètement arrêté avant de toucher l'outil amovible ou l'écrou de serrage.
- ▶ Serrer l'outil amovible et le flasque de serrage à l'aide de l'écrou à serrage de sorte qu'aucune partie ne se détache de la broche lors du freinage par le moteur de l'appareil.

1. Nettoyer la bride de serrage et l'écrou de serrage.
2. Vérifier si le joint torique se trouve dans la bride de serrage et n'est pas endommagé.
 - ▶ Remplacer tout joint torique manquant ou endommagé.
3. Placer le flasque de serrage sur la broche en tenant compte de sa forme et en veillant à ne pas le tordre.
4. Monter l'outil amovible.
5. Bien serrer l'écrou de serrage en fonction de l'outil amovible utilisé.
6. Appuyer sur le bouton de blocage de la broche et le maintenir enfoncé.
7. Serrer l'écrou de serrage à l'aide de la clé de serrage, relâcher ensuite le bouton de blocage de la broche et retirer la clé de serrage.

6.9.2 Démontage de l'outil amovible

AVERTISSEMENT

Risque de cassure et de détérioration. En cas de pression sur le bouton de blocage de la broche pendant que la broche, l'outil inséré peut se détacher.

- ▶ Appuyer uniquement sur le bouton de blocage de la broche lorsque la broche de meulage est immobile.

1. Appuyer sur le bouton de blocage de la broche et le maintenir enfoncé.



2. Desserrer l'écrou de serrage en mettant la clé de serrage en place puis en la tournant dans le sens contraire des aiguilles d'une montre.
3. Relâcher le bouton de blocage de la broche et enlever l'outil amovible.

6.9.3 Monter le **Kwik lock 10**

AVERTISSEMENT

Risque de casse. Il y a risque de casse de l'écrou à serrage rapide **Kwik lock** en cas d'usure excessive.

- ▶ Veiller à ce que lors du travail, l'écrou de serrage rapide **Kwik lock** ne soit pas en contact avec le matériau support.
- ▶ Ne pas utiliser d'écrou à serrage rapide **Kwik lock** endommagé.



L'écrou à serrage rapide **Kwik lock** peut être utilisé en option au lieu de l'écrou de serrage. Ceci permet de changer d'outil amovible sans devoir recourir à un outil supplémentaire.

1. Nettoyer la bride de serrage et l'écrou de serrage.
2. Vérifier si le joint torique se trouve dans la bride de serrage et n'est pas endommagé.
 - ▶ Remplacer tout joint torique manquant ou endommagé.
3. Placer le flasque de serrage sur la broche en tenant compte de sa forme et en veillant à ne pas le tordre.
4. Monter l'outil amovible.
5. Visser l'écrou à serrage rapide **Kwik lock** à fond sur l'outil amovible.
 - ▶ L'inscription **Kwik lock** est visible à l'état vissé.
6. Appuyer sur le bouton de blocage de la broche et le maintenir enfoncé.
7. Continuer à tourner vigoureusement l'outil amovible à la main dans le sens des aiguilles d'une montre jusqu'à ce que l'écrou à serrage rapide **Kwik lock** soit bien serré.
8. Relâcher le bouton de blocage de la broche.

6.9.4 Montage de l'outil amovible avec filetage intégré

1. Visser l'outil amovible sur la broche.
2. Appuyer sur le bouton de blocage de la broche et le maintenir enfoncé.
3. Bien serrer l'outil amovible à l'aide d'une clé à fourche et relâcher ensuite le bouton de blocage de la broche.

6.9.5 Démontage de l'outil amovible avec filetage intégré

AVERTISSEMENT

Risque de cassure et de détérioration. En cas de pression sur le bouton de blocage de la broche pendant que la broche, l'outil inséré peut se détacher.

- ▶ Appuyer uniquement sur le bouton de blocage de la broche lorsque la broche de meulage est immobile.
1. Appuyer sur le bouton de blocage de la broche et le maintenir enfoncé.
 2. Desserrer l'outil amovible à l'aide d'une clé à fourche.
 3. Relâcher le bouton de blocage de la broche et enlever l'outil amovible.

6.9.6 Montage de la brosse métallique **11**

1. Monter la poignée latérale. → Page 31
2. Monter le carter de protection standard.
3. Mettre la brosse métallique en place et la visser à la main.
4. Appuyer sur le bouton de blocage de la broche et le maintenir enfoncé.
5. Serrer à fond la brosse métallique à l'aide d'une clé à fourche appropriée.
6. Relâcher ensuite le bouton de blocage de la broche et retirer la clé à fourche.

6.9.7 Montage du disque en fibres **12**

1. Monter la poignée latérale. → Page 31
2. Monter le carter de protection standard.
3. Mettre le disque d'appui et le disque en fibres en place et visser l'écrou de serrage à fond.
4. Appuyer sur le bouton de blocage de la broche et le maintenir enfoncé.
5. Serrer l'écrou de serrage à fond avec la clé de serrage.
6. Relâcher ensuite le bouton de blocage de la broche et retirer la clé de serrage.



7 Utilisation

7.1 Mise en marche

1. Appuyer sur la partie arrière de l'interrupteur Marche/Arrêt.
2. Pousser l'interrupteur Marche/Arrêt vers l'avant.
 - ▶ Le moteur tourne.
3. Bloquer l'interrupteur Marche/Arrêt.

7.2 Meulage

AVERTISSEMENT

Risque de blessures. L'outil amovible peut brusquement se bloquer ou rester accroché.

- ▶ Utiliser le produit avec la poignée latérale et toujours tenir fermement le produit avec les deux mains.

Veiller à ce que l'outil amovible ne se coince pas et éviter d'exercer une pression excessive sur le produit.

7.3 Tronçonnage

- ▶ Lors de travaux de tronçonnage, veiller à travailler en avançant modérément et à ne pas incliner le produit ni le disque à tronçonner (position de travail à 90° env. par rapport au plan de tronçonnage).



Pour découper des profils ou des petits tuyaux carrés, le meilleur résultat est obtenu sur la section la plus petite du disque à tronçonner.

7.4 Ébarbage

AVERTISSEMENT

Risque de blessures. Le disque à tronçonner peut éclater et les parties détachées peuvent provoquer des blessures.

- ▶ Ne jamais ébarber avec un disque à tronçonner.
- ▶ Ajuster le produit selon un angle d'attaque de 5° à 30° et en exerçant une légère pression d'avant en arrière.
 - ▶ Ainsi, la pièce à travailler ne s'échauffe pas, ne se colore pas et il ne se forme pas de rainures.

7.5 Arrêt

- ▶ Appuyer sur la partie arrière de l'interrupteur Marche/Arrêt.
 - ▶ L'interrupteur Marche/Arrêt se met sur la position Arrêt et le moteur s'arrête.

8 Nettoyage et entretien

AVERTISSEMENT

Risque de blessures lorsque l'accu est inséré !

- ▶ Toujours retirer l'accu avant tous travaux de nettoyage et d'entretien !

DANGER

Décharge électrique à cause d'un défaut de double isolation. Dans des conditions d'utilisation extrêmes, lors de travaux sur des métaux, la poussière de matériaux conducteurs (p. ex. métal, fibres de carbone) peut se déposer à l'intérieur de l'appareil et endommager la double isolation électrique.

- ▶ Dans des conditions d'utilisation extrêmes, utiliser un dispositif d'aspiration stationnaire.
- ▶ Nettoyer régulièrement les fentes de ventilation.

Entretien du produit

- Éliminer avec précaution les saletés récalcitrantes.
- Nettoyer le carter de l'appareil uniquement avec un chiffon légèrement humide. Ne pas utiliser de nettoyeurs à base de silicone car ceci pourrait attaquer les pièces en plastique.
- Utiliser un chiffon propre et sec pour nettoyer les contacts du produit.



Entretien des accus Li-ion

- Ne jamais utiliser un accu dont les ouïes d'aération sont bouchées. Nettoyer soigneusement les ouïes d'aération à l'aide d'une brosse sèche et douce.
- Éviter d'exposer inutilement l'accu à la poussière ou à la saleté. Ne jamais exposer l'accu à une forte humidité (par exemple en l'immergeant dans de l'eau ou en le laissant sous la pluie).
Si l'accu a été trempé, le traiter comme un accu endommagé. L'isoler dans un récipient ininflammable et s'adresser au S.A.V. **Hilti**.
- Veiller à ce que l'accu soit toujours exempt de traces de graisse et d'huile étrangères. Ne pas laisser de la poussière ou de la saleté s'accumuler inutilement sur l'accu. Nettoyer l'accu avec une brosse sèche et douce ou un chiffon propre et sec. Ne pas utiliser de nettoyeurs à base de silicone car ceci pourrait attaquer les pièces en plastique.
Ne pas toucher les contacts de l'accu et ne pas enlever la graisse appliquée en usine sur les contacts.
- Nettoyer le carter de l'appareil uniquement avec un chiffon légèrement humide. Ne pas utiliser de nettoyeurs à base de silicone car ceci pourrait attaquer les pièces en plastique.

Entretien

- Vérifier régulièrement qu'aucune pièce visible n'est endommagée et que les organes de commande sont parfaitement opérationnels.
- Ne pas utiliser le produit en cas d'endommagements et/ou de dysfonctionnements. Faire immédiatement réparer le produit par le S.A.V. **Hilti**.
- Après des travaux de nettoyage et d'entretien, vérifier si tous les équipements de protection sont bien en place et fonctionnent parfaitement.



Pour une utilisation en toute sécurité, utiliser uniquement des pièces de rechange et consommables d'origine. Vous trouverez les pièces de rechange, consommables et accessoires autorisés par **Hilti** convenant pour votre produit dans le centre **Hilti Store** ou sous : www.hilti.group

9 Transport et stockage des outils sur accu et des accus

Transport

ATTENTION

Mise en marche inopinée lors du transport !

- ▶ Toujours retirer les accus avant de transporter les produits !
- ▶ Retirer le ou les accus.
- ▶ Ne jamais transporter les accus en vrac. Pendant le transport, les accus doivent être protégés des vibrations et chocs excessifs, isolés de tout matériau conducteur ou autre accu, pour éviter qu'ils n'entrent en contact avec d'autres pôles de batterie et qu'ils provoquent un court-circuit. **Tenir compte des prescriptions locales pour le transport d'accus.**
- ▶ Ne pas envoyer les accus par la poste. S'adresser à un service d'expédition s'il faut envoyer des accus non endommagés.
- ▶ Contrôler l'état du produit et des accus avant chaque utilisation, ainsi qu'avant et après tout transport prolongé.

Stockage

AVERTISSEMENT

Endommagement involontaire du fait d'accus défectueux ou de chute d'accu !

- ▶ Toujours retirer les accus avant de stocker les produits !
- ▶ Stocker si possible le produit et les accus dans un endroit sec et frais. Respecter les valeurs limites de température indiquées dans les caractéristiques techniques.
- ▶ Ne pas stocker les accus sur le chargeur. Retirer toujours l'accu du chargeur après la charge.
- ▶ Ne jamais stocker les accus exposés au soleil, sur des sources de chaleur ou derrière des vitres.
- ▶ Stocker le produit et les accus à l'abri des enfants et des personnes non autorisées.
- ▶ Contrôler l'état du produit et des accus avant chaque utilisation, ainsi qu'avant et après tout stockage prolongé.

10 Aide au dépannage

Pour toutes les défaillances, tenir compte de l'indicateur d'état de charge et d'erreurs de l'accu. Voir le chapitre **Affichages de l'accu Li-Ion**.



En cas de défaillances non énumérées dans ce tableau ou auxquelles il n'est pas possible de remédier sans aide, contacter le S.A.V. **Hilti**.

Défaillance	Causes possibles	Solution
Mise en marche impossible du produit.	L'accu est déchargé.	► Remplacer l'accu et charger l'accu vide.
L'accu se décharge plus rapidement que d'habitude.	Température ambiante très basse.	► Laisser l'accu se réchauffer lentement à la température ambiante.
L'accu ne s'encliquette pas avec un « clic » audible.	L'ergot d'encliquetage sur l'accu est encrassé.	► Nettoyer l'ergot d'encliquetage et réinsérer l'accu.
Important dégagement de chaleur dans la meuleuse d'angle ou dans l'accu.	Défaut électrique.	► Arrêter immédiatement le produit, sortir l'accu et l'examiner, le laisser refroidir et contacter le S.A.V. Hilti .
	Ouïes d'aération colmatées	► Nettoyer régulièrement les ouïes d'aération.
Aucune fonction de freinage du moteur.	L'accu est déchargé.	► Remplacer l'accu et charger l'accu vide.
	Le produit est momentanément en surcharge.	► Arrêter puis remettre en marche le produit.

11 Recyclage



AVERTISSEMENT

Risque de blessures en cas d'élimination incorrecte ! Émanations possibles de gaz et de liquides nocives pour la santé.

- Ne pas envoyer ni expédier d'accus endommagés !
- Recouvrir les raccordements avec un matériau non conducteur pour éviter tout court-circuit.
- Éliminer les accus en veillant à ce qu'ils soient hors de la portée des enfants.
- Éliminer l'accu en le déposant auprès du **Hilti Store** local ou s'adresser à l'entreprise de collecte des déchets compétente.



Les produits **Hilti** sont fabriqués pour une grande partie en matériaux recyclables. Le recyclage présuppose un tri adéquat des matériaux. **Hilti** reprend les appareils usagés dans de nombreux pays en vue de leur recyclage. Consulter le service clients **Hilti** ou un conseiller commercial.



- Ne pas jeter les appareils électriques, électroniques et accus dans les ordures ménagères !

12 Garantie constructeur

- En cas de questions sur les conditions de garantie, veuillez vous adresser à votre partenaire **Hilti** local.

13 Informations complémentaires

Des informations complémentaires concernant l'utilisation, la technique, l'environnement et le recyclage sont disponibles sous le lien ci-dessous : qr.hilti.com/manual/?id=2252234&id=2272270

Ce lien figure également à la fin de la documentation sous forme de code QR.



Manual de instrucciones original

1 Información sobre el manual de instrucciones

1.1 Acerca de este manual de instrucciones

- Lea detenidamente este manual de instrucciones antes de la puesta en servicio. Ello es imprescindible para un trabajo seguro y un manejo sin problemas.
- Observe las indicaciones y advertencias de seguridad en este manual de instrucciones y en el producto.
- Conserve este manual de instrucciones siempre junto con el producto y entregue el producto a otras personas siempre acompañado de este manual de instrucciones.

1.2 Explicación de símbolos

1.2.1 Avisos

Las advertencias de seguridad advierten de peligros derivados del manejo del producto. Se utilizan las siguientes palabras de peligro:



PELIGRO

PELIGRO !

- ▶ Término utilizado para un peligro inminente que puede ocasionar lesiones graves o incluso la muerte.



ADVERTENCIA

ADVERTENCIA !

- ▶ Término utilizado para un posible peligro que puede ocasionar lesiones graves o incluso la muerte.



PRECAUCIÓN

PRECAUCIÓN !

- ▶ Término utilizado para una posible situación peligrosa que puede ocasionar lesiones o daños materiales.

1.2.2 Símbolos en la documentación

En esta documentación se utilizan los siguientes símbolos:

	Leer el manual de instrucciones antes del uso
	Indicaciones de uso y demás información de interés
	Manejo con materiales reutilizables
	No tirar las herramientas eléctricas y las baterías junto con los desperdicios domésticos

1.2.3 Símbolos en las figuras

En las figuras se utilizan los siguientes símbolos:

	Estos números hacen referencia a la figura correspondiente incluida al principio de este manual
	La numeración describe el orden de los pasos de trabajo en la imagen y puede ser diferente de los pasos descritos en el texto
	Los números de posición se utilizan en la figura Vista general y los números de la leyenda están explicados en el apartado Vista general del producto
	Preste especial atención a este símbolo cuando utilice el producto.

1.3 Símbolos de productos

1.3.1 Símbolos en el producto

En el producto se pueden utilizar los siguientes símbolos:



	Utilizar protección para los ojos
n	Velocidad de medición
/min	Revoluciones por minuto
RPM	Revoluciones por minuto
\varnothing	Diámetro
==	Corriente continua
	En trabajos de tronzado, no trabaje con la caperuza protectora estándar.
	Trabaje siempre con ambas manos.
	El producto es apto para tecnología NFC, que es compatible con las plataformas iOS y Android.
Li-Ion	Batería de Ion-Litio
	Nunca utilice la batería como herramienta de percusión.
	No deje que la batería se caiga. No utilice baterías que hayan recibido algún golpe ni que estén dañadas de alguna otra forma.
	Serie utilizada de baterías de Ion-Litio Hilti . Consulte las indicaciones recogidas en el capítulo Uso conforme a las prescripciones .
	Si está en el producto, significa que el organismo de certificación lo ha certificado para el mercado estadounidense y canadiense según las normas vigentes.

1.4 Información del producto

Los productos han sido diseñados para usuarios profesionales y solo personal autorizado y debidamente formado puede utilizarlos y llevar a cabo su mantenimiento y conservación. Este personal debe estar especialmente instruido en lo referente a los riesgos de uso. La utilización del producto y sus dispositivos auxiliares puede conllevar riesgos para el usuario en caso de manejarse de forma inadecuada por personal no cualificado o utilizarse para usos diferentes a los que están destinados.

La denominación del modelo y el número de serie están indicados en la placa de identificación.

- ▶ Escriba el número de serie en la siguiente tabla. Necesitará los datos del producto para realizar consultas a nuestros representantes o al Departamento de Servicio Técnico.

Datos del producto

Amoladora angular a batería	AG 4S-22-5
Generación	02
N.º de serie.	

2 Seguridad

2.1 Indicaciones generales de seguridad para herramientas eléctricas

ADVERTENCIA Lea con atención todas las indicaciones de seguridad, instrucciones, ilustraciones y datos técnicos correspondientes a esta herramienta eléctrica. La negligencia en el cumplimiento de las instrucciones que se describen a continuación podría provocar descargas eléctricas, incendios o lesiones graves.

Conserve todas las instrucciones e indicaciones de seguridad para futuras consultas.

El término «herramienta eléctrica» empleado en las indicaciones de seguridad se refiere a herramientas eléctricas portátiles, ya sea con cable de red o sin cable, en caso de ser accionadas por batería.



Seguridad en el puesto de trabajo

- ▶ **Mantenga su área de trabajo limpia y bien iluminada.** El desorden o una iluminación deficiente de las zonas de trabajo pueden provocar accidentes.
- ▶ **No utilice la herramienta eléctrica en un entorno con peligro de explosión en el que se encuentren líquidos, gases o polvos inflamables.** Las herramientas eléctricas producen chispas que pueden llegar a inflamar los materiales en polvo o vapores.
- ▶ **Mantenga alejados a los niños y otras personas de su puesto de trabajo al emplear la herramienta eléctrica.** Una distracción le puede hacer perder el control sobre la herramienta.

Seguridad eléctrica

- ▶ **El enchufe de la herramienta eléctrica debe corresponder a la toma de corriente utilizada. No se deberá modificar el enchufe en forma alguna. No utilice enchufes adaptadores para las herramientas eléctricas con puesta a tierra.** Los enchufes sin modificar adecuados a las respectivas tomas de corriente reducen el riesgo de descarga eléctrica.
- ▶ **Evite el contacto corporal con superficies que tengan puesta a tierra, como pueden ser tubos, calefacciones, cocinas y frigoríficos.** El riesgo a quedar expuesto a una sacudida eléctrica es mayor si su cuerpo tiene contacto con tierra.
- ▶ **No exponga las herramientas eléctricas a la lluvia y evite que penetren líquidos en su interior.** El riesgo de recibir descargas eléctricas aumenta si penetra agua en la herramienta eléctrica.
- ▶ **No utilice el cable de conexión para transportar o colgar la herramienta eléctrica ni tire de él para extraer el enchufe de la toma de corriente. Mantenga el cable de conexión alejado de fuentes de calor, aceite, aristas afiladas o piezas móviles.** Los cables de conexión dañados o enredados pueden provocar descargas eléctricas.
- ▶ **Cuando trabaje al aire libre con una herramienta eléctrica, utilice exclusivamente un alargador adecuado para exteriores.** La utilización de un alargador adecuado para su uso en exteriores evita el riesgo de una descarga eléctrica.
- ▶ **Cuando no pueda evitarse el uso de la herramienta eléctrica en un entorno húmedo, utilice un interruptor de corriente de defecto.** La utilización de un interruptor de corriente de defecto evita el riesgo de una descarga eléctrica.

Seguridad de las personas

- ▶ **Permanezca atento, preste atención durante el trabajo y utilice la herramienta eléctrica con prudencia. No utilice una herramienta eléctrica si está cansado, ni tampoco después de haber consumido alcohol, drogas o medicamentos.** Un momento de descuido al utilizar la herramienta eléctrica podría producir graves lesiones.
- ▶ **Utilice el equipo de seguridad personal adecuado y lleve siempre gafas protectoras.** El riesgo de lesiones se reduce considerablemente si, según el tipo y la aplicación de la herramienta eléctrica empleada, se utiliza un equipo de seguridad personal adecuado como una mascarilla antipolvo, zapatos de seguridad con suela antideslizante, casco de protección o protección para los oídos.
- ▶ **Evite una puesta en servicio fortuita de la herramienta. Asegúrese de que la herramienta eléctrica está apagada antes de alzarla, transportarla, conectarla a la toma de corriente o insertar la batería.** Si transporta la herramienta eléctrica sujetándola por el interruptor de conexión/desconexión o si introduce el enchufe en la toma de corriente con la herramienta conectada, podría producirse un accidente.
- ▶ **Retire las herramientas de ajuste o llaves fijas antes de conectar la herramienta eléctrica.** Una herramienta o llave colocada en una pieza giratoria puede producir lesiones al ponerse en funcionamiento.
- ▶ **Evite adoptar posturas forzadas. Procure que la postura sea estable y manténgase siempre en equilibrio.** De esta forma podrá controlar mejor la herramienta eléctrica en caso de presentarse una situación inesperada.
- ▶ **Utilice ropa adecuada. No utilice vestimenta amplia ni joyas. Mantenga su pelo, vestimenta y guantes alejados de las piezas móviles.** La vestimenta suelta, las joyas y el pelo largo se pueden enganchar con las piezas en movimiento.
- ▶ **Siempre que sea posible montar equipos de aspiración o captación de polvo, asegúrese de que están conectados y de que se utilizan correctamente.** El uso de un sistema de aspiración de polvo reduce los riesgos derivados del polvo.
- ▶ **No se crea a salvo de cualquier riesgo ni pase por alto ninguna de las normas de seguridad relativas a las herramientas eléctricas, aun cuando esté familiarizado con la herramienta eléctrica y tenga larga experiencia en su uso.** Una actuación negligente puede provocar lesiones graves en cuestión de segundos.



Uso y manejo de la herramienta eléctrica

- ▶ **No sobrecargue la herramienta. Utilice la herramienta eléctrica adecuada para el trabajo que se dispone a realizar.** Con la herramienta eléctrica apropiada podrá trabajar mejor y de modo más seguro dentro del margen de potencia indicado.
- ▶ **No utilice herramientas eléctricas con el interruptor defectuoso.** Las herramientas eléctricas que no se puedan conectar o desconectar son peligrosas y deben repararse.
- ▶ **Extraiga el enchufe de la toma de corriente o retire la batería extraíble antes de efectuar cualquier ajuste en la herramienta, cambiar accesorios o en caso de no utilizar la herramienta durante un tiempo prolongado.** Esta medida preventiva evita el riesgo de arranque accidental de la herramienta eléctrica.
- ▶ **Guarde las herramientas eléctricas que no utilice fuera del alcance de los niños. No permita utilizar la herramienta a ninguna persona que no esté familiarizada con ella o que no haya leído este manual de instrucciones.** Las herramientas eléctricas utilizadas por personas inexpertas son peligrosas.
- ▶ **Cuide su herramienta eléctrica y los accesorios adecuadamente. Compruebe si las piezas móviles de la herramienta funcionan correctamente y sin atascarse, y si existen piezas rotas o deterioradas que pudieran afectar al funcionamiento de la herramienta eléctrica. Encargue la reparación de las piezas defectuosas antes de usar la herramienta eléctrica.** Muchos accidentes son consecuencia de un mantenimiento inadecuado de la herramienta eléctrica.
- ▶ **Mantenga los útiles limpios y afilados.** Las herramientas de corte bien cuidadas y con aristas afiladas se atascan menos y se guían con más facilidad.
- ▶ **Utilice la herramienta eléctrica, los accesorios, útiles de inserción, etc., de acuerdo con estas instrucciones. Para ello, tenga en cuenta las condiciones de trabajo y la tarea que se va a realizar.** El uso de herramientas eléctricas para trabajos diferentes de aquellos para los que han sido concebidas puede resultar peligroso.
- ▶ **Mantenga las empuñaduras y las superficies de contacto secas, limpias y sin residuos de aceite o grasa.** Las empuñaduras y superficies de contacto resbaladizas impiden manejar y controlar la herramienta eléctrica con seguridad en situaciones imprevistas.

Uso y manejo de la herramienta de batería

- ▶ **Cargue las baterías únicamente con los cargadores recomendados por el fabricante.** Existe riesgo de incendio al intentar cargar baterías de un tipo diferente al previsto para el cargador.
- ▶ **Utilice únicamente las baterías previstas para la herramienta eléctrica.** El uso de otro tipo de baterías puede provocar daños e incluso incendios.
- ▶ **Si no utiliza la batería, guárdela separada de clips, monedas, llaves, clavos, tornillos y demás objetos metálicos que pudieran puentear sus contactos.** El cortocircuito de los contactos de la batería puede causar quemaduras o incendios.
- ▶ **La utilización inadecuada de la batería puede provocar fugas de líquido. Evite el contacto con este líquido. En caso de contacto accidental, enjuague el área afectada con abundante agua. En caso de contacto con los ojos, acuda además inmediatamente a un médico.** El líquido de la batería puede irritar la piel o producir quemaduras.
- ▶ **No utilice baterías dañadas o modificadas.** Una batería dañada o modificada puede tener un comportamiento imprevisible y provocar incendios, explosiones o riesgo de lesiones.
- ▶ **No exponga la batería al fuego o a temperaturas muy elevadas.** El fuego o las temperaturas superiores a 130 °C (265 °F) pueden provocar una explosión.
- ▶ **Siga todas las instrucciones relativas a la carga y no cargue nunca la batería o la herramienta de batería excediendo el rango de temperatura indicado en el manual de instrucciones.** Una carga incorrecta o fuera del rango de temperatura permitido puede destruir la batería y aumentar el riesgo de incendio.

Servicio Técnico

- ▶ **Solicite que un profesional lleve a cabo la reparación de su herramienta eléctrica y que utilice exclusivamente piezas de repuesto originales.** Solamente así se garantiza la seguridad de la herramienta.
- ▶ **No realice nunca el mantenimiento de baterías dañadas.** Cualquier mantenimiento de las baterías debe llevarlo a cabo el fabricante o un centro del Servicio de Atención al Cliente autorizado.

2.2 Indicaciones de seguridad para todos los trabajos

Indicaciones de seguridad generales para las aplicaciones de lijado, lijado con papel de lija, trabajos con cepillos de alambre, pulido y tronzado con muelas:

- ▶ **Esta herramienta eléctrica debe utilizarse como lijadora, amoladora con papel de lija, cepillo de alambre, pulidora, cortadora circular de diámetro ajustable y tronzadora de muela.** Tenga en



cuenta las indicaciones de seguridad, las representaciones y los datos que se adjuntan con la herramienta. El incumplimiento de las siguientes indicaciones podría conllevar descargas eléctricas, incendios o lesiones graves.

- ▶ **No modifique esta herramienta eléctrica de manera que funcione de un modo que no esté especialmente diseñado o especificado por el fabricante de la herramienta.** Una modificación de este tipo puede provocar una pérdida del control y causar daños personales graves.
- ▶ **No utilice accesorios que el fabricante no haya desarrollado ni autorizado especialmente para esta herramienta eléctrica.** El simple hecho de que el accesorio encaje en su herramienta eléctrica no garantiza un uso seguro.
- ▶ **La velocidad admisible del útil de inserción debe alcanzar, como mínimo, el valor máximo indicado en la herramienta eléctrica.** Los accesorios que giren a una velocidad superior a la autorizada pueden romperse o salir despedidos.
- ▶ **El diámetro exterior y el espesor del útil de inserción deben corresponderse con las indicaciones de su herramienta eléctrica.** Los útiles de inserción de dimensiones incorrectas no pueden controlarse ni protegerse de forma adecuada.
- ▶ **Los útiles con inserción roscada deben adaptarse perfectamente a la rosca del husillo de lijado.** En el caso de útiles de inserción montados mediante bridas, el diámetro del orificio del útil de inserción debe adaptarse perfectamente al diámetro del alojamiento de la brida. Los útiles de inserción que no queden perfectamente fijados a la herramienta eléctrica pueden provocar giros irregulares, fuertes vibraciones e incluso la pérdida de control.
- ▶ **No utilice útiles de inserción dañados. Antes de utilizar el útil de inserción, compruebe si hay indicios de desgaste en los discos lijadores o de agrietamiento y desgaste en los discos abrasivos, así como si hay alambres rotos o sueltos en los cepillos de alambre. En caso de caída, compruebe si la herramienta eléctrica o el útil de inserción ha resultado dañado y utilice en tal caso un útil de inserción no dañado. Después de comprobar e insertar el útil de inserción, tanto el usuario como las personas que se encuentren a su alrededor deben mantenerse alejadas del útil de inserción en movimiento y dejar que la herramienta funcione a máxima velocidad durante un minuto.** Generalmente, los útiles de inserción se dañan en el período de prueba.
- ▶ **Utilice el equipo de seguridad personal. Utilice protección completa para la cara, protección para los ojos o gafas protectoras, dependiendo de la aplicación. Cuando la aplicación lo requiera, utilice mascarilla antipolvo, protección para los oídos, guantes de protección o un delantal especial que le sirva de pantalla frente a pequeñas partículas que puedan desprenderse en los trabajos de lijado.** Utilice protección para los ojos para evitar que penetren materiales extraños que puedan desprenderse en las diferentes aplicaciones. Tanto la mascarilla antipolvo como la mascarilla ligera filtran el polvo que se produce en determinadas aplicaciones. La exposición prolongada a fuertes ruidos puede ocasionar una pérdida de audición.
- ▶ **Controle que terceras personas mantengan una distancia de seguridad respecto a su zona de trabajo. Todas las personas que se encuentren en la zona de trabajo deben llevar el equipo de seguridad personal.** Los fragmentos que pueden desprenderse de la pieza de trabajo o los útiles de inserción rotos pueden salir despedidos y provocar lesiones incluso fuera de la zona de trabajo.
- ▶ **Sujete la herramienta eléctrica por las empuñaduras aisladas cuando realice trabajos en los que el útil de inserción puede entrar en contacto con cables eléctricos ocultos.** El contacto con los cables conductores puede traspasar la conductividad a las partes metálicas y producir descargas eléctricas.
- ▶ **Mantenga el cable de red alejado de los útiles en movimiento.** Si pierde el control sobre la herramienta, el cable de red puede desconectarse o engancharse y el útil de inserción en movimiento podría ocasionarle lesiones en las manos o brazos.
- ▶ **No deposite nunca la herramienta eléctrica hasta que el útil de inserción no se haya detenido por completo.** El útil de inserción en movimiento puede entrar en contacto con la superficie de trabajo haciéndole perder el control sobre la herramienta eléctrica.
- ▶ **No transporte la herramienta eléctrica en funcionamiento.** Su ropa puede entrar accidentalmente en contacto con el útil de inserción en movimiento quedando enganchada y el útil de inserción puede ocasionarle lesiones.
- ▶ **Limpie las rejillas de ventilación de su herramienta eléctrica con regularidad.** El ventilador del motor conduce el polvo aspirado al interior de la carcasa, de modo que una concentración elevada de polvo de metal puede dar lugar a averías eléctricas.
- ▶ **No utilice la herramienta eléctrica cerca de materiales inflamables.** Las chispas podrían inflamar dichos materiales.
- ▶ **No utilice útiles de inserción que requieran refrigerante líquido.** El uso de agua u otros refrigerantes líquidos puede producir descargas eléctricas.



Descripción del rebote e indicaciones de seguridad correspondientes

El rebote es la reacción repentina causada por un útil de inserción atascado o bloqueado en movimiento, del tipo, por ejemplo, de discos lijadores, discos abrasivos, cepillos de alambre, etc. El atascamiento o el bloqueo origina una parada brusca del útil de inserción en movimiento. Por ello, una herramienta eléctrica incontrolada se acelera en la dirección de giro opuesta del útil de inserción respecto a la posición de bloqueo. Si, por ejemplo, un disco lijador se atasca o bloquea en una pieza de trabajo, el borde del disco lijador que penetra en la pieza de trabajo puede engancharse y, como consecuencia, romperse o dar lugar a un rebote. El disco lijador avanza hacia el usuario o se aleja de él, según la dirección de giro del disco respecto a la posición de bloqueo. En este caso, los discos lijadores también pueden romperse.

El rebote se debe a un uso incorrecto de la herramienta eléctrica. Puede evitarse cumpliendo las medidas de seguridad pertinentes que se describen a continuación.

- ▶ **Sujete bien la herramienta eléctrica con las dos manos y mantenga su cuerpo y brazos en una posición que le permita hacer frente a las fuerzas de rebote. Utilice siempre la empuñadura adicional, en caso de existir, para tener el máximo control sobre las fuerzas de rebote o los momentos de retroceso a plena marcha.** Tomar las medidas de precaución adecuadas contribuye a tener un control absoluto sobre las fuerzas de rebote y retroceso.
- ▶ **No coloque nunca la mano cerca de los útiles de inserción en movimiento.** El útil de inserción puede efectuar movimientos bruscos a causa del rebote y alcanzarle la mano.
- ▶ **Mantenga una distancia de seguridad respecto a la zona de movimiento del rebote de la herramienta eléctrica.** El rebote empuja la herramienta eléctrica en dirección opuesta al movimiento del disco lijador respecto a la posición de bloqueo.
- ▶ **Tenga especial cuidado cerca de las esquinas y cantos afilados y evite que los útiles de inserción reboten o se enganchen con la pieza de trabajo.** El útil de inserción en movimiento tiende a engancharse con las esquinas o cantos afilados en caso de rebote. Ello puede comportar la pérdida de control o el rebote de la herramienta.
- ▶ **No utilice ninguna hoja de sierra de cadena o dentada ni tampoco discos de diamante segmentados con ranuras superiores a 10 mm.** Estos útiles de inserción a menudo ocasionan el rebote o la pérdida de control de la herramienta eléctrica.

Indicaciones de seguridad especiales para los trabajos de lijado y tronzado con muela:

- ▶ **Utilice únicamente cuerpos de lijado apropiados para su herramienta eléctrica y la cubierta protectora indicada para cada uno de ellos.** Los cuerpos de lijado cuyo uso no está previsto para una herramienta eléctrica determinada no pueden protegerse de forma apropiada y, como consecuencia, su aplicación no es segura.
- ▶ **Los discos lijadores acodados deben colocarse de forma que la superficie de lijado no sobresalga sobre la superficie del borde de la cubierta de protección.** Un disco lijador montado de forma inadecuada, que sobresalga del borde de la cubierta protectora, no está convenientemente resguardado.
- ▶ **La cubierta protectora debe colocarse de forma segura en la herramienta eléctrica y ajustarse, con la finalidad de conseguir el máximo de seguridad, de modo que solo apunte directamente hacia el usuario la parte más pequeña posible del cuerpo de lijado.** La cubierta protectora sirve para proteger al usuario frente a fragmentos, contacto accidental con el cuerpo de lijado o chispas, que podrían prender fuego a la ropa.
- ▶ **Los cuerpos de lijado solamente pueden utilizarse para las aplicaciones de uso permitidas. Por ejemplo, no lije nunca con la superficie lateral de un disco tronzador.** Los discos tronzadores están diseñados para arrancar material con el borde. La acción de la fuerza lateral puede romper los cuerpos de lijado.
- ▶ **Utilice siempre bridas de apriete no dañadas y con tamaño y forma adecuados para los discos lijadores elegidos.** Las bridas apropiadas sirven de soporte para los discos lijadores y reducen el riesgo de rotura de los mismos. Las bridas para discos tronzadores pueden diferenciarse de las bridas para otros discos lijadores.
- ▶ **No utilice discos lijadores desgastados de herramientas eléctricas de mayores dimensiones.** Los discos lijadores para herramientas eléctricas más grandes no son apropiados para las elevadas velocidades alcanzadas por las herramientas eléctricas de menor tamaño, puesto que podrían romperse.
- ▶ **Utilice siempre la caperuza protectora prevista para cada aplicación cuando emplee cuerpos de lijado de doble uso.** El uso de una caperuza protectora inadecuada puede suponer una protección insuficiente, lo que podría conllevar lesiones graves.

Otras indicaciones de seguridad especiales para el tronzado con muela:

- ▶ **Evite el bloqueo del disco tronzador y una presión de apriete demasiado alta. No realice cortes excesivamente profundos.** La sobrecarga de los discos tronzadores aumenta el desgaste y la tendencia al atascamiento o bloqueo y, con ello, la posibilidad de rebote o rotura del disco lijador.



- ▶ **Evite traspasar la zona trasera y delantera del disco tronzador.** Si aparta mucho de su cuerpo el disco tronzador insertado en la pieza de trabajo, en caso de rebote la herramienta eléctrica con el disco en movimiento puede salir disparada directamente hacia usted.
- ▶ **Si el disco tronzador se atasca o el trabajo se interrumpe, desconecte la herramienta y espere a que el disco deje de girar. Nunca extraiga el disco tronzador de la herramienta antes de que se haya detenido por completo; en caso contrario, podría producirse un rebote.** Detecte la causa del atascamiento y subsane el problema.
- ▶ **No vuelva a conectar la herramienta eléctrica hasta que ésta no se encuentre en la pieza de trabajo. Deje que el disco tronzador alcance su máxima velocidad antes de continuar con el corte y proceda con el máximo cuidado.** En caso contrario, el disco puede engancharse, soltarse bruscamente de la pieza de trabajo o rebotar.
- ▶ **Sujete las placas o las piezas de trabajo grandes para evitar el efecto rebote inducido por discos tronzadores atascados.** Las piezas de trabajo grandes pueden doblarse por su propio peso. La pieza de trabajo debe hallarse sostenida por ambos lados del disco, tanto cerca del corte de separación como en la esquina.
- ▶ **Preste especial atención al realizar un «corte por inmersión» en paredes o en áreas ocultas.** Los discos tronzadores pueden provocar un rebote al cortar conductos de gas o agua, cables eléctricos u otros objetos.
- ▶ **No intente realizar cortes curvilíneos.** La sobrecarga de los discos tronzadores aumenta el desgaste y la tendencia al atascamiento o bloqueo y, con ello, la posibilidad de rebote o rotura del cuerpo de lijado, lo que puede provocar graves lesiones.

Indicaciones de seguridad especiales para el lijado con papel de lija:

- ▶ **Utilice únicamente hojas lijadoras del tamaño adecuado. Siga en todo momento las especificaciones del fabricante en cuanto al tamaño de las hojas lijadoras.** Las hojas lijadoras que sobresalen mucho del disco abrasivo pueden causar lesiones, así como el bloqueo o ruptura de las hojas o el rebote de la herramienta.

Indicaciones de seguridad especiales para pulido:

- ▶ **No deje suelta ninguna pieza de la cubierta para pulido, sobre todo el cordón de sujeción. Recoja o corte los cabos del cordón de sujeción.** Si el cordón de sujeción está suelto, al girar puede engancharse en los dedos o en la pieza de trabajo.

Indicaciones de seguridad especiales para los trabajos con cepillos de alambre:

- ▶ **Tenga en cuenta que los cepillos de alambre también pierden fragmentos de alambre durante su uso habitual. No sobrecargue los alambres con una presión de apriete demasiado alta.** Los fragmentos de alambre que se desprenden pueden atravesar la ropa delgada o penetrar fácilmente en la piel.
- ▶ **Si se requiere una caperuza protectora, evite que dicha caperuza entre en contacto con los cepillos de alambre.** El diámetro de los cepillos de vaso y de plato puede incrementarse a causa de la presión de apriete y las fuerzas centrífugas.

2.3 Indicaciones de seguridad adicionales

Seguridad de las personas

- ▶ Utilice el producto y los accesorios solo si están en perfecto estado técnico.
- ▶ No efectúe nunca manipulaciones o modificaciones en el producto ni en los accesorios.
- ▶ Sujete siempre el producto con ambas manos por las empuñaduras previstas. Mantenga las empuñaduras secas, limpias y sin residuos de aceite o grasa.
- ▶ Si el producto se utiliza sin un sistema de aspiración de polvo, debe emplearse una mascarilla ligera al realizar trabajos que generen polvo.
- ▶ Efectúe a menudo pausas y ejercicios para mejorar la circulación de los dedos. Tras muchas horas de trabajo expuesto a las vibraciones intensas, pueden surgir complicaciones en los vasos sanguíneos o en el sistema nervioso en dedos, manos o articulaciones de las manos.
- ▶ Evite tocar las piezas en movimiento. No conecte el producto fuera de la zona de trabajo. Si se tocan piezas en movimiento, en especial herramientas rotativas, pueden ocasionarse lesiones.
- ▶ Espere hasta que el producto se haya detenido por completo antes de dejarlo sobre alguna superficie.
- ▶ El producto no es adecuado para personas con poca fuerza a las que no se haya instruido. Mantenga el producto fuera del alcance de los niños.



- ▶ El polvo que se genera al pulir, lijar, cortar y taladrar puede contener productos químicos peligrosos, como, por ejemplo, plomo o pinturas basadas en plomo; ladrillos, hormigón y otros productos de mampostería, piedra natural y otros productos que contengan silicatos; determinadas maderas, como el roble o el haya o las maderas tratadas químicamente, o amianto o materiales que contengan asbesto. La exposición del usuario y las personas circundantes debe regularse según la clase de peligro de los materiales con los que se trabaje. Tome las medidas necesarias para mantener la exposición a un nivel seguro, p. ej., mediante el uso de un sistema de recogida de polvo o una mascarilla adecuada. Las medidas genéricas para reducir la exposición son, entre otras:
 - ▶ trabajar en un espacio bien ventilado;
 - ▶ evitar el contacto prolongado con el polvo;
 - ▶ desviar el polvo de la cara y el cuerpo;
 - ▶ usar prendas protectoras y lavar con agua y jabón las zonas expuestas.
- ▶ El usuario y las personas que se encuentren en las inmediaciones de la zona de uso del producto deberán llevar protección para los ojos, casco de protección y utilizar protección para los oídos.
- ▶ Utilice guantes de protección para cambiar el útil. El contacto con el útil de inserción puede producir cortes y quemaduras.
- ▶ - Riesgo de lesiones en caso de caída de herramientas o accesorios. Antes de iniciar el trabajo, compruebe que la batería y los accesorios montados estén bien fijados.
- ▶ Mantenga siempre las rejillas de ventilación despejadas. Riesgo de quemaduras debido a rejillas de ventilación cubiertas.
- ▶ No conecte el producto hasta que este se encuentre en la posición de trabajo.
- ▶ Espere hasta que el producto se haya detenido por completo antes de dejarlo sobre alguna superficie.
- ▶ Si el producto detecta una batería vacía o que se sobrepasan los valores límite de funcionamiento, puede de la herramienta no pueda frenarse con el motor.
- ▶ No fije ningún colgador de cinturón a este producto.

Manipulación y utilización segura de las herramientas eléctricas

- ▶ Los discos lijadores tienen que ser almacenados y manipulados con cuidado según las indicaciones del fabricante.
- ▶ No utilice nunca el producto sin caperuza protectora.
- ▶ Fije la pieza de trabajo. Utilice dispositivos de sujeción o un tornillo de banco para sujetar la pieza de trabajo. De esa forma estará sujeta de modo más seguro que con la mano y, por otro lado, tendrá las dos manos libres para manejar el producto.
- ▶ No utilice discos tronadores para realizar trabajos de desbastado.
- ▶ Apriete el útil y la brida. Si el útil y la brida no se han apretado convenientemente, existe la posibilidad de que cuando se desconecte la herramienta, al frenar el motor, el útil se suelte del husillo.

Seguridad eléctrica

- ▶ Antes de empezar a trabajar, compruebe si la zona de trabajo oculta cables eléctricos, tuberías de gas o cañerías de agua. Las partes metálicas exteriores del producto pueden provocar una descarga eléctrica o una explosión si se daña un cable eléctrico, una tubería de gas o una cañería de agua.
- ▶ Encargue una revisión periódica de los productos sucios al Servicio Técnico de **Hilti** en caso de tratar con frecuencia materiales conductores. El polvo adherido en la superficie de la herramienta, sobre todo el de los materiales conductores, o la humedad pueden provocar descargas eléctricas cuando se den condiciones desfavorables.

Lugar de trabajo

- ▶ Durante el proceso de taladrado, proteja la zona opuesta al lugar donde se realiza el trabajo, ya que pueden desprenderse cascotes y causar heridas a otras personas.
- ▶ Las grietas en paredes portantes u otras estructuras pueden influir en la estática, especialmente al seccionar hierros de armadura o elementos portadores. Antes de comenzar a trabajar consulte con el ingeniero, arquitecto o persona responsable de la obra.

2.4 Manipulación y utilización segura de las baterías

- ▶ **Tenga en cuenta las siguientes indicaciones de seguridad para el manejo y el uso seguros de las baterías de Ion-Litio.** En caso de no respetarlas, puede llevar a irritación de la piel, lesiones corrosivas graves, quemaduras químicas, fuego o explosiones.
- ▶ Utilice las baterías solo si están en perfecto estado técnico.
- ▶ Manipule las baterías con cuidado a fin de evitar daños o escapes de líquido altamente peligroso para su salud.
- ▶ Las baterías no deben modificarse ni manipularse en ningún caso.



- ▶ Las baterías no se deben destruir, comprimir, calentar por encima de 80 °C (176 °F) o quemar.
- ▶ No utilice ni cargue baterías que hayan recibido algún golpe ni que estén dañadas de alguna otra forma. Compruebe con regularidad si las baterías presentan signos de daños.
- ▶ No utilice nunca baterías recicladas o reparadas.
- ▶ Nunca utilice la batería o una herramienta eléctrica de batería como herramienta de percusión.
- ▶ No exponga nunca las baterías a radiación solar directa, temperaturas elevadas, chispas o llamas abiertas. Esto puede provocar explosiones.
- ▶ No toque los polos de la batería con los dedos, con herramientas, con joyas o con otros objetos conductores de la electricidad. Esto puede dañar la batería y provocar otros daños materiales y lesiones.
- ▶ Mantenga las baterías alejadas de la lluvia, la humedad y los líquidos. Si entra humedad, pueden producirse cortocircuitos, descargas eléctricas, quemaduras, incendios y explosiones.
- ▶ Utilice únicamente cargadores y herramientas eléctricas concebidos para este tipo de baterías. Para ello, consulte las indicaciones recogidas en el manual de instrucciones correspondiente.
- ▶ No utilice ni almacene la batería en entornos con peligro de explosión.
- ▶ Si al tocar la batería detecta que está muy caliente, puede deberse a una avería en la misma. Coloque la batería en un lugar visible, no inflamable, a suficiente distancia de otros materiales inflamables. Deje que la batería se enfríe. Si, después de una hora, la herramienta sigue estando demasiado caliente para tocarla significa que está averiada. Dirijase al Servicio Técnico de **Hilti** o lea el documento «Indicaciones de seguridad y uso de las baterías de Ion-Litio de **Hilti**».

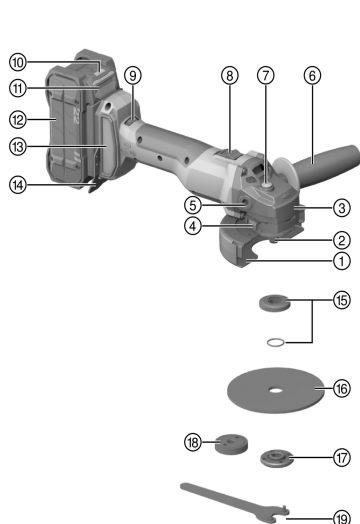


Tenga en cuenta las directivas especiales aplicables al transporte, almacenamiento y uso de las baterías de Ion-Litio. → página 56

Lea las instrucciones de seguridad y uso de las baterías de Ion-Litio de **Hilti**, que puede encontrar escaneando el código QR que se encuentra al final de estas instrucciones de uso.

3 Descripción

3.1 Vista general del producto



- ① Cubierta protectora estándar
- ② Husillo
- ③ Flecha de sentido de giro
- ④ Botón de desbloqueo del protector
- ⑤ Casquillo roscado para la empuñadura
- ⑥ Empuñadura lateral
- ⑦ Botón de bloqueo del husillo
- ⑧ Interruptor de conexión y desconexión
- ⑨ Regulación de velocidad
- ⑩ Indicador de estado de la batería
- ⑪ Tecla de desbloqueo de la batería
- ⑫ Batería
- ⑬ Filtro de polvo
- ⑭ Chapa protectora contra chispas
- ⑮ Brida de apriete con junta tórica
- ⑯ Disco tronzador/disco de desbastado
- ⑰ Tuerca de apriete
- ⑱ Tuerca de apriete rápido **Kwik lock** (opcional)
- ⑲ Llave de apriete

3.2 Uso conforme a las prescripciones

El producto descrito es una amoladora angular de guiado manual con alimentación por batería. Está destinada al tronzado y desbastado de materiales metálicos y minerales, al cepillado y al lijado con papel de lija sin el empleo de agua. Solo puede utilizarse para el lijado o corte en seco.



- Para este producto utilice únicamente baterías Li-Ion de la serie B 22 de **Hilti** Nuron. Para garantizar que este producto ofrece un rendimiento óptimo, **Hilti** recomienda utilizar las baterías indicadas en la tabla que encontrará al final de este manual de instrucciones.
- Para estas baterías utilice exclusivamente los cargadores **Hilti** de las series indicadas en la tabla que encontrará al final de este manual de instrucciones.

3.3 Mostrar la batería Ion-Litio

Las baterías de Ion-Litio de **Hilti** Nuron pueden mostrar el estado de carga, los mensajes de error y el estado de la batería.

3.3.1 Visualización del estado de carga y de los mensajes de error

ADVERTENCIA

Riesgo de lesiones por la caída de la batería

- ▶ Con la batería colocada, asegúrese tras pulsar la tecla de desbloqueo de que la batería vuelva a encajar correctamente en el producto empleado.

Para recibir una de las siguientes indicaciones, pulse brevemente la tecla de desbloqueo de la batería.

El estado de carga y las posibles averías también se muestran de forma permanente mientras el producto esté conectado.

Estado	Significado
Cuatro (4) LED encendidos permanentemente en verde	Estado de carga: 100 % a 71 %
Tres (3) LED encendidos permanentemente en verde	Estado de carga: 70 % a 51 %
Dos (2) LED se iluminan permanentemente en verde	Estado de carga: 50 % a 26 %
Un (1) LED está encendido permanentemente en verde	Estado de carga: 25 % a 10 %
Un (1) LED parpadea lentamente en verde	Estado de carga: < 10 %
Un (1) LED parpadea rápidamente en verde	La batería Ion-Litio está totalmente descargada. Cargue la batería. Si tras cargar la batería el LED sigue parpadeando rápidamente, diríjase al Servicio Técnico de Hilti .
Un (1) LED parpadea rápidamente en amarillo	La batería de Ion-Litio o el producto conectado a ella están sobrecargados, demasiado calientes, demasiado fríos o existe otro error. Ponga el producto y la batería en la temperatura de trabajo recomendada y no sobrecargue el producto durante su uso. Si sigue viendo el mensaje, diríjase al Servicio Técnico de Hilti .
Un (1) LED está encendido en amarillo	La batería Ion-Litio y el producto conectado a ella no son compatibles. Diríjase al servicio técnico de Hilti .
Un (1) LED parpadea rápidamente en rojo	La batería Ion-Litio está bloqueada y no puede seguir utilizándose. Diríjase al servicio técnico de Hilti .

3.3.2 Visualización del estado de la batería

Para consultar el estado de la batería, mantenga la tecla de desbloqueo pulsada durante más de tres segundos. El sistema no detecta un posible funcionamiento incorrecto de la batería debido a un mal uso, como caídas, hendiduras, daños por calor externo, etc.



Estado	Significado
Todos los LED se encienden como luz en movimiento y, a continuación, se enciende un (1) LED permanentemente en verde.	La batería puede seguir utilizándose.
Todos los LED se encienden como luz en movimiento y, a continuación, parpadea un (1) LED rápidamente en amarillo.	No se ha podido completar la consulta sobre el estado de la batería. Repita la operación o diríjase al Servicio Técnico de Hilti .
Todos los LED se encienden como luz en movimiento y, a continuación, parpadea un (1) LED permanentemente en rojo.	Cuando un producto conectado puede seguir utilizándose, la capacidad restante de la batería es inferior al 50 %. Cuando un producto conectado ya no puede seguir utilizándose, la batería ha llegado al final de su vida útil y debe ser sustituida. Diríjase al servicio técnico de Hilti .

3.4 Suministro

Amoladora angular, empuñadura lateral, caperuza protectora estándar, tapa delantera, brida de apriete, tuerca de apriete, llave de apriete, filtro de polvo, manual de instrucciones.

Encontrará otros productos del sistema autorizados para su producto en su **Hilti Store** o en Internet, en: www.hilti.group

3.5 ATC

El producto está equipado con la desconexión rápida electrónica ATC (Active Torque Control).

Si el útil de inserción se bloquea o atasca, el producto empieza a girar repentinamente de forma incontrolada en sentido opuesto. ATC detecta ese giro anómalo y desconecta inmediatamente el producto.



Para garantizar un funcionamiento correcto, se debe poder girar el producto.
Tras la desconexión rápida, desconecte el producto y vuelva a conectarlo.

3.6 Función de protección del motor

La función de protección del motor supervisa el consumo de corriente y el calentamiento del motor a fin de proteger el producto contra el sobrecalentamiento.

En caso de sobrecarga del motor a causa de una presión de apriete elevada, la potencia de la herramienta disminuye notablemente, o incluso puede ocurrir una parada.



En caso de que se produzca una parada o una reducción de la velocidad debido a una sobrecarga, deberá dejar libre de carga la herramienta y mantenerla durante aprox. 30 s en velocidad de giro en vacío.

3.7 Freno integrado

Con el freno integrado, el tiempo de deceleración se reduce hasta la parada del útil de inserción.



Esta función solo puede utilizarse mientras el producto esté conectado a la corriente.
El tiempo de frenado varía en función del útil de inserción seleccionado.

3.8 Tapa delantera 2

Utilice la tapa delantera con caperuza protectora estándar para las aplicaciones indicadas a continuación:

- Desbastar con discos de desbastado rectos
- Tronzar con discos tronzadores

3.9 Protector antipolvo (tronzado) DC-EX 125/5" C Cubierta compacta (accesorios) 3

Para el tronzado de superficies minerales con disco tronzador de diamante debe utilizarse la cubierta compacta DC-EX 125/5" C.

Quedan prohibidos los trabajos en metal con esta protección.



3.10 Protector antipolvo (cortar) DC-EX 125/5" M (accesorio) 4

Al realizar trabajos de tronzado y ranurado en superficies minerales con disco tronzador de diamante se debe utilizar el protector antipolvo.

PRECAUCIÓN Está prohibido realizar trabajos en metal con esta cubierta.

3.11 Protector antipolvo (lijado) DG-EX 125/5" (accesorios) 5

El sistema de lijado solo es apto para el lijado ocasional de superficies minerales con muelas de vaso de diamante.

Quedan prohibidos los trabajos en metal con esta protección.

4 Material de consumo

Deben utilizarse solamente discos de aglomerado con resina sintética reforzados con fibras para máx. Ø 5" (125 mm) aptos para una velocidad mínima de 11 000 r. p. m. y una velocidad periférica de 262 ft/s (80 m/s). El grosor de los discos debe ser de máximo 1/4" (7 mm).

¡ATENCIÓN! Para trabajos de tronzado y entallado con discos tronzadores, utilice siempre la caperuza protectora estándar con tapa delantera adicional o un protector antipolvo completamente cerrado.

Discos

Modelo	Aplicación	Abreviatura	Superficie de trabajo
Disco tronzador abrasivo	Tronzado, entallado	AC-D	Metálico
Disco tronzador de diamante	Tronzado, entallado	DC-D (SPX, SP, P)	Mineral
Disco de desbastado abrasivo	Desbastado	AG-D, AF-D, AN-D	Metálico
Disco de desbastado de diamante	Desbastado	DG-CW (SPX, SP, P)	Mineral
Cepillo de alambre	Cepillos de alambre	3CS, 4CS, 3SS, 4SS	Metálico
Disco de fibra	Desbastado	AP-D	Metálico

Asignación de los discos al equipo que se utilice

Pos.	Equipo	AC-D	AP-D	AG-D, AF-D, AN-D	DG-CW (SPX, SP, P)	DC-D (SPX, SP, P)	3CS, 4CS, 3SS, 4SS
A	Caperuza protectora (estándar)	✓	✓	✓	✓	✓	✓
B	Tapa delantera (en combinación con A)	✓	—	—	—	✓	—
C	Protector antipolvo (lijado) DG-EX 125/5"	—	—	—	✓	—	—
D	Protector antipolvo (tronzado) DC-EX 125/5"C (en combinación con A)	—	—	—	—	✓	—
E	Protector antipolvo (entallado) DC-EX 125/5"M	—	—	—	—	✓	—
F	Adaptador DC-EX SL (en combinación con E)	—	—	—	—	✓	—
G	Empuñadura lateral (estándar)	✓	✓	✓	✓	✓	✓



Pos.	Equipo	AC-D	AP-D	AG-D, AF-D, AN-D	DG-CW (SPX, SP, P)	DC-D (SPX, SP, P)	3CS, 4CS, 3SS, 4SS
H	Tuerca de apriete (estándar)	✓	—	✓	✓	✓	—
I	Brida de apriete (estándar)	✓	—	✓	✓	✓	—
J	Kwik lock (opcional para H)	✓	—	—	—	✓	—
K	Tuerca de apriete (disco de fibra)	—	✓	—	—	—	—
L	Plato de apoyo (disco de fibra)	—	✓	—	—	—	—

5 Datos técnicos

	AG 4S-22-5
Tensión nominal	21,6 V
Velocidad de medición	8.500 rpm
Diámetro máximo del disco	5 in
Peso sin batería	2,1 kg (4,6 lb)
Rosca del husillo de accionamiento	5/8"-11
Longitud del husillo	22 mm (0,9 in)
Temperatura ambiente en funcionamiento	-17 °C ... 60 °C (1 °F ... 140 °F)
Temperatura de almacenamiento	-20 °C ... 70 °C (-4 °F ... 158 °F)

5.1 Batería

Tensión de servicio de la batería	21,6 V
Peso batería	Véase al final del manual de instrucciones
Temperatura ambiente en funcionamiento	-17 °C ... 60 °C (1 °F ... 140 °F)
Temperatura de almacenamiento	-20 °C ... 40 °C (-4 °F ... 104 °F)
Temperatura de la batería al comenzar la carga	-10 °C ... 45 °C (14 °F ... 113 °F)

6 Preparación del trabajo

ADVERTENCIA

Riesgo de lesiones por arranque involuntario.

- ▶ Antes de insertar la batería, asegúrese de que el producto correspondiente esté desconectado.
- ▶ Retire la batería antes de realizar ajustes en la herramienta o de cambiar accesorios.

Respete las indicaciones de seguridad y las advertencias presentes en esta documentación y en el producto.

6.1 Carga de la batería

1. Antes de cargarla, lea el manual de instrucciones del cargador.



2. Asegúrese de que los contactos de la batería y del cargador estén limpios y secos.
3. Cargue la batería en un cargador autorizado. → página 46

6.2 Colocación de la batería

ADVERTENCIA

Riesgo de lesiones por cortocircuito o caída de la batería.

- ▶ Antes de insertar la batería, asegúrese de que los contactos de la batería y del producto estén libres de cuerpos extraños.
- ▶ Asegúrese de que la batería encaje siempre correctamente.

1. Cargue por completo la batería antes de la primera puesta en servicio.
2. Introduzca la batería en el producto hasta que encaje de forma audible.
3. Compruebe que la batería está bien colocada.

6.3 Extracción de la batería

1. Pulse la tecla de desbloqueo de la batería.
2. Retire la batería del producto.

6.4 Montaje de la empuñadura lateral

- ▶ Atornille la empuñadura lateral en uno de los casquillos roscados previstos.

6.5 Montaje y desmontaje de la caperuza protectora

PRECAUCIÓN

Riesgo de lesiones. El útil puede estar caliente o afilado.

- ▶ Utilice siempre guantes de protección a la hora de realizar el montaje, el desmontaje, los trabajos de ajuste y al reparar averías.

- ▶ Lea las instrucciones de montaje de la respectiva caperuza protectora.

6.5.1 Montaje de la caperuza protectora estándar



La caperuza protectora dispone de unos salientes que aseguran que solo se pueda montar una cubierta adecuada para el producto. La caperuza protectora entra con los salientes en el alojamiento del producto.

1. Monte la caperuza protectora en el cuello del husillo de forma que los dos triángulos (el de la caperuza protectora y el del producto) queden uno frente al otro.
2. Presione la caperuza protectora en el cuello del husillo.
3. Presione el botón de desbloqueo de la caperuza protectora y gírela en dirección a la posición deseada hasta que encaje.
 - ▶ El botón de desbloqueo de la caperuza vuelve a su posición.

6.5.2 Ajuste de la caperuza protectora estándar

- ▶ Presione el botón de desbloqueo de la caperuza protectora y gírela en dirección a la posición deseada hasta que encaje.

6.5.3 Desmontaje de la caperuza protectora estándar

1. Presione el botón de desbloqueo de la caperuza y gire la caperuza protectora hasta que los dos triángulos (el de la caperuza protectora y el del producto) queden uno frente al otro.
2. Retire la caperuza protectora.

6.6 Montaje y desmontaje de la tapa delantera



La tapa delantera debe quedar encajada en la caperuza protectora estándar.



1. Coloque la tapa delantera con el lateral cerrado orientado hacia arriba sobre la caperuza protectora estándar.
 - ▶ El cierre debe encajar de forma audible.
2. Para desmontar la tapa delantera, abra el cierre de la tapa.
3. Desmonte la tapa delantera de la caperuza protectora estándar.

6.7 Montaje de la protección en caso de caída de Hilti (opcional)

Las directivas nacionales para trabajos en posición elevada son de obligado cumplimiento mientras se trabaja con el producto.

Tenga en cuenta el manual de instrucciones para la protección en caso de caída.

1. Coloque correctamente las dos lengüetas de la protección en caso de caída en la chapa protectora contra chispas.
2. Fije la protección en caso de caída con los correspondientes tornillos en los orificios previstos de la chapa protectora contra chispas.
3. Coloque la batería. → página 51

6.8 Protección frente a caídas

ADVERTENCIA

Riesgo de lesiones por caída de herramientas o accesorios.

- ▶ Utilice únicamente la cuerda de amarre para herramientas **Hilti** recomendada para su producto.
- ▶ Antes de cada uso, compruebe que el punto de fijación de la cuerda de amarre para herramientas no presente posibles daños.

Tenga en cuenta las directivas nacionales para trabajos en altura.

Para este producto, utilice únicamente como protección frente a caídas una combinación de la protección anticaídas de **Hilti** con la cuerda de amarre para herramientas **Hilti** #2261970.

- ▶ Fije la protección anticaídas a las aberturas de montaje para accesorios. Compruebe que quede fijada de forma segura.
- ▶ Fije un mosquetón de la cuerda de amarre para herramientas a la protección anticaídas y el segundo mosquetón a una estructura portante. Compruebe que ambos mosquetones queden fijados de forma segura.

Tenga en cuenta los manuales de instrucciones de la protección anticaídas de **Hilti** y de la cuerda de amarre para herramientas de **Hilti**.

6.9 Montaje y desmontaje del útil

PRECAUCIÓN

Riesgo de lesiones. El útil puede estar caliente.

- ▶ Utilice guantes de protección para cambiar el útil.

PRECAUCIÓN

Peligro de que se suelte de forma incontrolada el útil de inserción con rosca integrada. Un montaje inadecuado del útil de inserción puede producir lesiones graves.

- ▶ Coloque siempre el útil de inserción con rosca integrada con la mano.

Los discos de diamante deben sustituirse cuando su capacidad de corte y de lijado disminuya notablemente. En general esto sucede cuando la altura del segmento de diamante es inferior a 1/16".

El resto de clases de discos deben sustituirse cuando la capacidad de corte disminuya notablemente o cuando alguna parte de la amoladora angular (excepto el disco) entre en contacto con el material de trabajo durante su uso.

Los discos abrasivos deben sustituirse cuando así lo indique su fecha de caducidad.



6.9.1 Montaje del útil de inserción 9

ADVERTENCIA

Riesgo de lesiones. Al frenar el motor de la herramienta, podría soltarse el útil.

- ▶ Espere hasta que el útil esté completamente parado antes de tocar el útil o la tuerca de apriete.
- ▶ Apriete el útil y la brida de apriete con la tuerca de apriete de forma que, al frenar el motor de la herramienta, no se suelte ninguna pieza del husillo.

1. Limpie la brida de apriete y la tuerca de apriete.
2. Compruebe que la junta tórica esté colocada en la brida de apriete y no esté dañada.
 - ▶ Si la junta tórica está dañada o no está colocada en su lugar, sustitúyala.
3. Coloque la brida de apriete de unión por forma, con protección contra torsión, sobre el husillo.
4. Coloque el útil de inserción.
5. Apriete la tuerca de apriete en función del útil de inserción empleado.
6. Pulse y mantenga pulsado el botón de bloqueo del husillo.
7. Atornille la tuerca de apriete con la llave de apriete y, a continuación, suelte el botón de bloqueo del husillo y retire la llave de apriete.

6.9.2 Desmontaje del útil

ADVERTENCIA

Riesgo de rotura y de destrucción. Si se presiona el botón de bloqueo del husillo mientras este está girando, el útil de inserción podría soltarse.

- ▶ Presione el botón de bloqueo del husillo solo cuando el husillo esté parado.
1. Pulse y mantenga pulsado el botón de bloqueo del husillo.
 2. Suelte la tuerca de apriete colocando la llave de mandril y girándola en sentido antihorario.
 3. Suelte el botón de bloqueo del husillo y retire el útil.

6.9.3 Montaje de la tuerca **Kwik lock** 10

ADVERTENCIA

Riesgo de rotura. Un desgaste excesivo puede provocar la rotura de la tuerca de apriete rápido **Kwik lock**.

- ▶ Asegúrese de que al trabajar, la tuerca de apriete rápido **Kwik lock** no entre en contacto con la superficie.
- ▶ No utilice tuercas de apriete rápido **Kwik lock** que presenten daños.



En lugar de la tuerca de apriete se puede utilizar opcionalmente la tuerca de apriete rápido **Kwik lock**. De esta forma se pueden cambiar los útiles sin utilizar ningún tipo de herramienta.

1. Limpie la brida de apriete y la tuerca de apriete.
2. Compruebe que la junta tórica esté colocada en la brida de apriete y no esté dañada.
 - ▶ Si la junta tórica está dañada o no está colocada en su lugar, sustitúyala.
3. Coloque la brida de apriete de unión por forma, con protección contra torsión, sobre el husillo.
4. Coloque el útil de inserción.
5. Enrosque la tuerca de apriete rápido **Kwik lock** hasta que quede asentada en el útil de inserción.
 - ▶ La inscripción **Kwik lock** es visible cuando está atornillada.
6. Pulse y mantenga pulsado el botón de bloqueo del husillo.
7. Siga girando manualmente con fuerza el útil de inserción hacia la derecha hasta que la tuerca de apriete rápido **Kwik lock** quede bien apretada.
8. Suelte el botón de bloqueo del husillo.

6.9.4 Montaje del útil con rosca integrada

1. Enrosque el útil en el husillo.
2. Pulse y mantenga pulsado el botón de bloqueo del husillo.
3. Apriete el útil con una llave de boca y a continuación suelte el botón de bloqueo del husillo.



6.9.5 Desmontaje del útil de inserción con rosca integrada



ADVERTENCIA

Riesgo de rotura y de destrucción. Si se presiona el botón de bloqueo del husillo mientras este está girando, el útil de inserción podría soltarse.

- ▶ Presione el botón de bloqueo del husillo solo cuando el husillo esté parado.

1. Pulse y mantenga pulsado el botón de bloqueo del husillo.
2. Afloje el útil con una llave de boca.
3. Suelte el botón de bloqueo del husillo y retire el útil.

6.9.6 Montaje del cepillo de alambre **11**

1. Monte la empuñadura lateral. → página 51
2. Monte la caperuza protectora estándar.
3. Coloque el cepillo de alambre y enrósquelo a mano.
4. Pulse y mantenga pulsado el botón de bloqueo del husillo.
5. Apriete el cepillo de alambre con una llave de boca adecuada.
6. A continuación, suelte el botón de bloqueo del husillo y retire la llave de boca.

6.9.7 Montaje del disco de fibra **12**

1. Monte la empuñadura lateral. → página 51
2. Monte la caperuza protectora estándar.
3. Coloque el plato de apoyo y el disco de fibra y enrosque bien la tuerca de apriete.
4. Pulse y mantenga pulsado el botón de bloqueo del husillo.
5. Apriete la tuerca con la llave de apriete.
6. A continuación, suelte el botón de bloqueo del husillo y retire la llave de apriete.

7 Manejo

7.1 Conexión

1. Presione la parte posterior del interruptor de conexión y desconexión.
2. Empuje el interruptor de conexión y desconexión hacia delante.
 - ▶ El motor funciona.
3. Bloquee el interruptor de conexión y desconexión.

7.2 Lijado



ADVERTENCIA

Riesgo de lesiones El útil puede quedar repentinamente bloqueado o enganchado.

- ▶ Utilice la herramienta con la empuñadura lateral y sujete el producto siempre con ambas manos.

No permita que el útil de inserción se atasque y evite una presión excesiva sobre el producto.

7.3 Tronzado

- ▶ Durante el tronzado, trabaje a un ritmo de avance moderado y no ladee el producto ni el disco tronzador (la posición de trabajo queda a aprox. 90° respecto a la superficie de tronzado).



La mejor forma de tronzar perfiles y tubos cuadrados es aplicando el disco tronzador en la sección más pequeña.

7.4 Desbastado



ADVERTENCIA

Riesgo de lesiones. El disco tronzador puede estallar y los fragmentos despedidos podrían causar lesiones.

- ▶ Nunca utilice discos tronzadores para realizar trabajos de desbastado.



- ▶ Mueva el producto de un lado a otro en un ángulo de incidencia de entre 5° y 30° aplicando una presión moderada.
 - ▶ La pieza de trabajo no alcanza una temperatura demasiado elevada, no cambia de color ni se generan estrías.

7.5 Desconexión

- ▶ Presione la parte posterior del interruptor de conexión y desconexión.
 - ▶ El interruptor de conexión y desconexión pasa a la posición de desconexión y el motor se detiene.

8 Cuidado y mantenimiento

ADVERTENCIA

Riesgo de lesiones con la batería colocada !

- ▶ Extraiga siempre la batería antes de llevar a cabo tareas de cuidado y mantenimiento.

PELIGRO

Descarga eléctrica debido a la falta de aislamiento de protección. En condiciones de uso extremas al tratar metales puede depositarse polvo conductor (p. ej. metal, fibras de carbono) en el interior de la herramienta y afectar el aislamiento de protección.

- ▶ En condiciones de uso extremas, utilice un dispositivo de aspiración estacionario.
- ▶ Limpie las rejillas de ventilación con regularidad.

Cuidado del producto

- Elimine con precaución la suciedad fuertemente adherida.
- Limpie la carcasa solo con un paño ligeramente humedecido. No utilice productos de limpieza que contengan silicona, ya que podrían dañar las piezas de plástico.
- Utilice un paño limpio y seco para limpiar los contactos del producto.

Cuidado de las baterías de Ion-Litio

- No utilice nunca una batería con las rejillas de ventilación obstruidas. Limpie cuidadosamente las rejillas de ventilación con un cepillo seco y suave.
- Evite la exposición innecesaria de la batería al polvo o la suciedad. No exponga nunca la batería a altos niveles de humedad (por ejemplo, sumergiéndola en agua o dejándola bajo la lluvia). Si penetra agua en la batería, trátela como una batería dañada. Aíslela en un recipiente no inflamable y póngase en contacto con el Servicio Técnico de **Hilti**.
- Mantenga la batería limpia de aceite o grasa. No permita la acumulación innecesaria de polvo o suciedad en la batería. Limpie la batería con un cepillo seco y suave o con un paño limpio y seco. No utilice productos de limpieza que contengan silicona, ya que podrían dañar las piezas de plástico. No toque los contactos de la batería y no elimine de los contactos la grasa aplicada de fábrica.
- Limpie la carcasa solo con un paño ligeramente humedecido. No utilice productos de limpieza que contengan silicona, ya que podrían dañar las piezas de plástico.

Mantenimiento

- Compruebe con regularidad que las piezas visibles no estén dañadas y los elementos de manejo funcionen correctamente.
- No utilice el producto si presenta daños o fallos que afecten al funcionamiento. Encargue inmediatamente la reparación del producto al Servicio Técnico de **Hilti**.
- Tras las tareas de cuidado y mantenimiento, coloque todos los dispositivos de protección y asegúrese de que funcionen correctamente.



Para garantizar un correcto funcionamiento, utilice exclusivamente piezas de repuesto y consumibles originales. Las piezas de repuesto, los consumibles y los accesorios autorizados por **Hilti** se pueden consultar en su **Hilti Store** o en: www.hilti.group



9 Transporte y almacenamiento de las baterías y sus herramientas

Transporte

PRECAUCIÓN

Arranque involuntario en el transporte !

- ▶ Transporte sus productos siempre sin batería.
- ▶ Extraiga la(s) batería(s).
- ▶ Nunca transporte las baterías sin embalaje. Durante el transporte, las baterías deben estar protegidas frente a vibraciones y golpes excesivos y aisladas de todo material conductor y de otras baterías para que no entren en contacto con los polos de otras baterías y causen un cortocircuito. **Tenga en cuenta las normativas locales sobre el transporte de baterías.**
- ▶ Las baterías no deben enviarse por correo. Diríjase a una empresa de transporte si quiere enviar baterías no dañadas.
- ▶ Compruebe si el producto o las baterías están dañados antes de cada uso y antes y después de un transporte prolongado.

Almacenamiento

ADVERTENCIA

Daños imprevistos debido a una batería defectuosa o agotada !

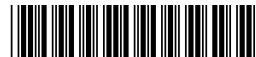
- ▶ Guarde sus productos siempre sin batería.
- ▶ Guarde el producto y las baterías en un lugar fresco y seco. Tenga en cuenta los valores límite de temperatura que figuran en los datos técnicos.
- ▶ No almacene las baterías en el cargador. Extraiga siempre la batería del cargador después del proceso de carga.
- ▶ No guarde nunca las baterías en un lugar expuesto al sol, a fuentes de calor o detrás de un cristal.
- ▶ Guarde el producto y las baterías fuera del alcance de niños y personas no autorizadas.
- ▶ Compruebe si el producto o las baterías están dañados antes de cada uso y antes y después de un almacenamiento prolongado.

10 Ayuda en caso de averías

En caso de producirse cualquier avería, compruebe el indicador del estado de carga y de averías de la batería. Véase el capítulo **Mostrar la batería de Ion-Litio**.

Si se producen averías que no estén incluidas en esta tabla o que no pueda solucionar usted, diríjase al Servicio Técnico de **Hilti**.

Anomalía	Posible causa	Solución
No se puede encender el producto.	La batería está descargada.	▶ Cambie la batería y recargue la batería vacía.
La batería se descarga con más rapidez de lo usual.	Temperatura ambiente demasiado baja.	▶ Deje que la batería alcance poco a poco la temperatura ambiente.
La batería no se enclava con un «clic» audible.	La lengüeta de la batería está sucia.	▶ Limpie la lengüeta y vuelva a colocar la batería.
Calentamiento considerable de la amoladora angular o la batería.	Error en el sistema eléctrico	▶ Desconecte el producto de inmediato, extraiga la batería, examínela, deje que se enfríe y póngase en contacto con el Servicio Técnico de Hilti .
	Rejillas de ventilación obstruidas	▶ Limpie las rejillas de ventilación con regularidad.
Sin función de frenado del motor.	La batería está descargada.	▶ Cambie la batería y recargue la batería vacía.
	El producto está sobrecargado brevemente.	▶ Desconecte y vuelva a conectar el producto.




11 Reciclaje

ADVERTENCIA

Riesgo de lesiones por un reciclaje indebido. Riesgo para la salud debido a escapes de gases o líquidos.

- ▶ No envíe baterías dañadas bajo ningún concepto.
- ▶ Cubra las conexiones con un material no conductor para evitar cortocircuitos.
- ▶ Deshágase de las baterías de tal forma que no terminen en manos de niños.
- ▶ Elimine la batería en su **Hilti Store** o diríjase a su empresa de desechos.

 Los productos **Hilti** están fabricados en su mayor parte con materiales reutilizables. La condición para dicha reutilización es una separación adecuada de los materiales. En muchos países, **Hilti** recoge las herramientas usadas para su recuperación. Pregunte al Servicio de Atención al Cliente de **Hilti** o a su asesor de ventas.



- ▶ No deseche las herramientas eléctricas, los aparatos eléctricos ni las baterías junto con los residuos domésticos.

12 Garantía del fabricante

- ▶ Si tiene alguna consulta acerca de las condiciones de la garantía, póngase en contacto con su sucursal local de **Hilti**.

13 Más información

Encontrará información adicional sobre manejo, técnica, medio ambiente y reciclaje en el siguiente enlace: qr.hilti.com/manual/?id=2252234&id=2272270

Encontrará este enlace también al final de la documentación como código QR.

Manual de instruções original

1 Indicações sobre o Manual de instruções

1.1 Relativamente a este Manual de instruções

- Antes da colocação em funcionamento, leia este manual de instruções. Esta é a condição para um trabalho seguro e um manuseamento sem problemas.
- Tenha em atenção as instruções de segurança e as advertências neste Manual de instruções e no produto.
- Guarde o manual de instruções sempre junto do produto e entregue-o a outras pessoas apenas juntamente com este manual de instruções.

1.2 Explicação dos símbolos

1.2.1 Advertências

As advertências alertam para perigos durante a utilização do produto. São utilizadas as seguintes palavras de aviso:

PERIGO

PERIGO !

- ▶ Indica perigo iminente que pode originar acidentes pessoais graves ou até mesmo fatais.

AVISO

AVISO !

- ▶ Indica um possível perigo que pode causar graves ferimentos pessoais, até mesmo fatais.



⚠ CUIDADO

CUIDADO !

► Indica uma situação potencialmente perigosa que pode originar ferimentos corporais ou danos materiais.

1.2.2 Símbolos na documentação

Nesta documentação são utilizados os seguintes símbolos:

	Leia o manual de instruções antes da utilização
	Instruções de utilização e outras informações úteis
	Manuseamento com materiais recicláveis
	Não deitar as ferramentas eléctricas e baterias no lixo doméstico

1.2.3 Símbolos nas figuras

Em figuras são utilizados os seguintes símbolos:

2	Estes números referem-se à respectiva imagem no início deste Manual
3	A numeração reproduz uma sequência dos passos de trabalho na imagem e pode divergir dos passos de trabalho no texto
11	Na figura Vista geral são utilizados números de posição que fazem referência aos números da legenda na secção Vista geral do produto
	Este símbolo pretende despertar a sua atenção durante o manuseamento do produto.

1.3 Símbolos dependentes do produto

1.3.1 Símbolos no produto

No produto, podem usar-se os seguintes símbolos:

	Use óculos de protecção
n	Velocidade nominal
/min	Rotações por minuto
RPM	Rotações por minuto
	Diâmetro
	Corrente contínua
	Para trabalhos de corte, não trabalhe com o resguardo padrão.
	Trabalhe sempre com as duas mãos.
	O produto suporta a tecnologia NFC que é compatível com plataformas iOS e Android.
Li-Ion	Bateria de iões de lítio
	Nunca utilize a bateria como ferramenta de percussão.
	Não deixe cair a bateria. Não utilize baterias que tenham recebido uma pancada ou que estejam, de outra forma, danificadas.



	Série utilizada da bateria de íões de lítio Hilti . Tenha em atenção as indicações no capítulo Utilização conforme a finalidade projectada .
	Se existente no produto, isso significa que o produto foi certificado por este organismo de certificação para o mercado americano e canadiano de acordo com as normas em vigor.

1.4 Dados informativos sobre o produto

Os produtos **HILTI** destinam-se ao utilizador profissional e só podem ser operados, mantidos e reparados por pessoal autorizado, devidamente qualificado. Estas pessoas deverão estar informadas em particular sobre os potenciais perigos. O produto e seu equipamento auxiliar podem representar perigo se usados incorrectamente por pessoas não qualificadas ou se usados para fins diferentes daqueles para os quais foram concebidos.

A designação e o número de série são indicados na placa de características.

- ▶ Registe o número de série na tabela seguinte. Precisa dos dados do produto para colocar questões ao nosso representante ou posto de serviço de atendimento aos clientes.

Dados do produto

Rebarbadora angular de bateria	AG 4S-22-5
Geração	02
N.º de série	

2 Segurança

2.1 Normas de segurança gerais para ferramentas eléctricas

⚠ AVISO Leia todas as normas de segurança, instruções, imagens e dados técnicos, com os quais esta ferramenta eléctrica está equipada. O não cumprimento das instruções a seguir pode resultar em choque eléctrico, incêndio e/ou ferimentos graves.

Guarde bem todas as normas de segurança e instruções para futura referência.

O termo "ferramenta eléctrica" utilizado nas normas de segurança refere-se a ferramentas com ligação à corrente eléctrica (com cabo de alimentação) ou a ferramentas a bateria (sem cabo).

Segurança no posto de trabalho

- ▶ **Mantenha a sua área de trabalho limpa e bem iluminada.** Locais desarrumados ou mal iluminados podem ocasionar acidentes.
- ▶ **Não utilize a ferramenta eléctrica em ambientes explosivos ou na proximidade de líquidos ou gases inflamáveis.** Ferramentas eléctricas produzem faíscas que podem provocar a ignição de pó e vapores.
- ▶ **Mantenha crianças e terceiros afastados durante os trabalhos.** Distacções podem conduzir à perda de controlo sobre a ferramenta.

Segurança eléctrica

- ▶ **A ficha da ferramenta eléctrica deve servir na tomada. A ficha não deve ser modificada de modo algum. Não utilize quaisquer adaptadores com ferramentas eléctricas com ligação terra.** Fichas originais (não modificadas) e tomadas adequadas reduzem o risco de choque eléctrico.
- ▶ **Evite o contacto do corpo com superfícies ligadas à terra, como, por exemplo, canos, radiadores, fogões e frigoríficos.** Existe um risco elevado de choque eléctrico se o corpo estiver com ligação à terra.
- ▶ **As ferramentas eléctricas não devem ser expostas à chuva nem à humidade.** A infiltração de água numa ferramenta eléctrica aumenta o risco de choque eléctrico.
- ▶ **Não use o cabo de ligação para transportar, pendurar ou desligar a ferramenta eléctrica da tomada. Mantenha o cabo de ligação afastado de calor, óleo, arestas vivas ou partes em movimento.** Cabos de ligação danificados ou emaranhados aumentam o risco de choque eléctrico.
- ▶ **Quando operar uma ferramenta eléctrica ao ar livre, utilize apenas cabos de extensão próprios para utilização no exterior.** A utilização de um cabo de extensão próprio para utilização no exterior reduz o risco de choques eléctricos.
- ▶ **Utilize um disjuntor diferencial se não puder ser evitada a utilização da ferramenta eléctrica em ambiente húmido.** A utilização de um disjuntor diferencial reduz o risco de choque eléctrico.

Segurança física

- ▶ **Esteja alerta, observe o que está a fazer, e tenha prudência ao trabalhar com uma ferramenta eléctrica. Se estiver cansado ou sob influência de drogas, álcool ou medicamentos não efectue**



nenhum trabalho com ferramentas eléctricas. Um momento de distração ao operar a ferramenta eléctrica pode causar ferimentos graves.

- ▶ **Use equipamento de segurança. Use sempre óculos de protecção.** Equipamento de segurança, como, por exemplo, máscara antipoeiras, sapatos de segurança antiderrapantes, capacete de segurança ou protecção auricular, de acordo com o tipo e aplicação da ferramenta eléctrica, reduzem o risco de lesões.
- ▶ **Evite um arranque involuntário. Assegure-se de que a ferramenta eléctrica está desligada antes de a ligar à fonte de alimentação e/ou à bateria, pegar nela ou a transportar.** Transportar a ferramenta eléctrica com o dedo no interruptor ou ligar uma ferramenta à tomada com o interruptor ligado (ON) pode resultar em acidentes.
- ▶ **Remova quaisquer chaves de ajuste (chaves de fenda), antes de ligar a ferramenta eléctrica.** Um acessório ou chave deixado preso numa parte rotativa da ferramenta pode causar ferimentos.
- ▶ **Evite posturas corporais desfavoráveis. Mantenha sempre uma posição correcta, em perfeito equilíbrio.** Desta forma será mais fácil manter o controlo sobre a ferramenta eléctrica em situações inesperadas.
- ▶ **Use roupa apropriada. Não use roupa larga ou jóias. Mantenha o cabelo, vestuário e luvas afastados das peças móveis.** Roupas largas, jóias ou cabelos compridos podem ficar presos nas peças móveis.
- ▶ **Se poderem ser montados sistemas de remoção e de recolha de pó, assegure-se de que estes estão ligados e são utilizados correctamente.** A utilização de um sistema de remoção de pó pode reduzir os perigos relacionados com a exposição ao mesmo.
- ▶ **Não se acomode numa falsa sensação de segurança e não ignore os regulamentos de segurança para ferramentas eléctricas, mesmo se estiver familiarizado com a ferramenta eléctrica após numerosas utilizações.** Agir de forma descuidada pode causar ferimentos graves dentro duma fracção de segundo.

Utilização e manuseamento da ferramenta eléctrica

- ▶ **Não sobrecarregue a ferramenta. Use para o seu trabalho a ferramenta eléctrica correcta.** Com a ferramenta eléctrica adequada obterá maior eficiência e segurança se respeitar os seus limites.
- ▶ **Não utilize a ferramenta eléctrica se o interruptor estiver defeituoso.** Uma ferramenta eléctrica que já não possa ser accionada pelo interruptor é perigosa e deve ser reparada.
- ▶ **Retire a ficha da tomada e/ou remova uma bateria amovível antes de efectuar ajustes na ferramenta, substituir acessórios ou guardar a ferramenta.** Esta medida preventiva evita o accionamento accidental da ferramenta eléctrica.
- ▶ **Guarde ferramentas eléctricas não utilizadas fora do alcance das crianças. Não permita que a ferramenta seja utilizada por pessoas não familiarizadas com a mesma ou que não tenham lido estas instruções.** Ferramentas eléctricas operadas por pessoas não treinadas são perigosas.
- ▶ **Faça uma manutenção regular de ferramentas eléctricas e acessórios. Verifique se as partes móveis funcionam perfeitamente e não emperram ou se há peças quebradas ou danificadas que possam influenciar o funcionamento da ferramenta eléctrica. Peças danificadas devem ser reparadas antes da utilização da ferramenta.** Muitos acidentes são causados por ferramentas eléctricas com manutenção deficiente.
- ▶ **Mantenha as ferramentas de corte sempre afiadas e limpas.** Acessórios com gumes afiados tratados correctamente emperram menos e são mais fáceis de controlar.
- ▶ **Utilize a ferramenta eléctrica, acessórios, bits, etc., de acordo com estas instruções. Tome também em consideração as condições de trabalho e o trabalho a ser efectuado.** A utilização da ferramenta eléctrica para outros fins além dos previstos, pode ocasionar situações de perigo.
- ▶ **Mantenha punhos e respectivas superfícies secos, limpos e isentos de óleo e gordura.** Punhos e superfícies afins escorregadios não permitem um manuseamento e controlo seguro da ferramenta eléctrica em situações imprevistas.

Utilização e manuseamento da ferramenta a bateria

- ▶ **Apenas deverá carregar as baterias em carregadores recomendados pelo fabricante.** Num carregador adequado para um determinado tipo de baterias existe perigo de incêndio se for utilizado para outras baterias.
- ▶ **Nas ferramentas eléctricas utilize apenas as baterias previstas.** A utilização de outras baterias pode causar ferimentos e riscos de incêndio.
- ▶ **Quando a bateria não estiver em uso, mantenha-a afastada de outros objectos de metal, como, por exemplo, cliques, moedas, chaves, pregos, parafusos, ou outros pequenos objectos metálicos que possam ligar em ponte os contactos.** Um curto-circuito entre os contactos da bateria pode causar queimaduras ou incêndio.



- ▶ **Utilizações inadequadas podem provocar derrame do líquido da bateria. Evite o contacto com este líquido. No caso de contacto acidental, enxágue imediatamente com água. Se o líquido entrar em contacto com os olhos, procure auxílio médico.** O líquido que escorre da bateria pode provocar irritações ou queimaduras da pele.
- ▶ **Não utilize uma bateria danificada ou modificada.** Baterias danificadas ou modificadas podem ter um comportamento imprevisível e causar fogo, explosão ou risco de ferimentos.
- ▶ **Não exponha uma bateria ao fogo ou a temperaturas excessivas.** Fogo e temperaturas superiores a 130 °C (265 °F) podem provocar uma explosão.
- ▶ **Cumpra todas as instruções sobre o carregamento e nunca carregue a bateria ou a ferramenta a bateria fora da faixa de temperaturas indicada no manual de instruções.** O carregamento errado ou fora da faixa de temperaturas permitida pode destruir a bateria e aumentar o risco de incêndio.

Manutenção

- ▶ **A sua ferramenta eléctrica só deve ser reparada por pessoal qualificado e só devem ser utilizadas peças sobressalentes originais.** Isto assegurará que a segurança da ferramenta se mantenha.
- ▶ **Nunca faça a manutenção de baterias danificadas.** Qualquer manutenção de baterias só deverá ser realizada pelo fabricante ou serviços de assistência técnica autorizados.

2.2 Indicações de segurança para todos os trabalhos

Normas de segurança comuns para trabalhos de rebarbar, lixar com papel de lixa, trabalhos com escovas de arame, polir e separar por disco de corte:

- ▶ **Esta ferramenta eléctrica deverá ser utilizada como rebarbadora, lixadora de papel abrasivo, escova de arame, polidora, serra de coroa e cortadora por abrasão. Observe todas as normas de segurança, instruções, ilustrações e dados que vêm com a ferramenta.** Caso não observe as instruções que se seguem, pode ocorrer choque eléctrico, incêndio e/ou ferimentos graves.
- ▶ **Não converta esta ferramenta eléctrica por forma a funcionar de um modo para o qual não tenha sido especificamente dimensionada e especificada pelo fabricante de ferramentas.** Uma conversão deste tipo pode originar a perda de controlo e causar graves danos em pessoas.
- ▶ **Não utilize acessórios que não tenham sido desenvolvidos e aprovados pelo fabricante especificamente para esta ferramenta eléctrica.** O simples facto de poder fixar o acessório na sua ferramenta eléctrica não garante uma utilização segura.
- ▶ **A velocidade permitida do acessório deve estar dimensionada para, no mínimo, a velocidade máxima que consta na ferramenta eléctrica.** Acessórios que rodam a uma velocidade superior à permitida podem fragmentar-se e ser projectados.
- ▶ **Diâmetro exterior e espessura do acessório devem corresponder às dimensões da sua ferramenta eléctrica.** Acessórios mal dimensionados não podem ser resguardados ou controlados o suficiente.
- ▶ **Acessórios com acoplamento de rosca têm de se ajustar exactamente à rosca do veio. No caso dos acessórios que são montados através de flange, o diâmetro do orifício do acessório tem de se ajustar ao diâmetro de encaixe do flange.** Acessórios que não são fixados correctamente na ferramenta eléctrica rodam de forma irregular, vibram fortemente e podem levar à perda do controlo.
- ▶ **Não utilize acessórios danificados. Antes de cada utilização, examine os acessórios, tais como discos de rebarbar quanto a fragmentos e fissuras; discos abrasivos quanto a fissuras, desgaste ou forte deterioração; escovas de arame quanto a arames soltos ou partidos. No caso de a ferramenta eléctrica ou o acessório cair, verifique se ficou danificado ou utilize um acessório intacto. Quando tiver examinado e montado o acessório, mantenha-se a si e pessoas que se encontrem nas proximidades, fora do plano do acessório em movimento e deixe trabalhar a ferramenta durante um minuto à velocidade máxima. A maior parte dos acessórios danificados parte durante este período de ensaio.**
- ▶ **Use equipamento de protecção individual. Use máscara de protecção integral, protecção ocular ou óculos de protecção consoante a aplicação. Desde que adequado, use máscara antipoeiras, protecção auricular, luvas de protecção ou avental especial para manter pequenas partículas de abrasão e de materiais afastadas de si.** Os olhos devem ser protegidos de objectos estranhos projectados que são produzidos em diversas aplicações. As máscaras antipoeiras ou respiratórias devem filtrar as poeiras que são produzidas durante a utilização. Se estiver exposto durante muito tempo a ruído intenso, poderá vir a sofrer de perda de audição.
- ▶ **Assegure-se de que outras pessoas se mantêm afastadas o suficiente da sua zona de trabalho. Cada pessoa que entrar na zona de trabalho tem de usar equipamento de protecção individual.** Fragmentos da peça a trabalhar ou dos acessórios partidos podem ser projectados e provocar ferimentos mesmo para além da zona de trabalho directa.



- ▶ **Segure a ferramenta eléctrica apenas pelas áreas isoladas dos punhos quando executar trabalhos onde a lâmina pode encontrar cabos eléctricos encobertos.** O contacto com um cabo sob tensão também pode colocar partes metálicas da ferramenta sob tensão e causar um choque eléctrico.
- ▶ **Mantenha o cabo de rede afastado de acessórios em movimento.** Se perder o controlo sobre a ferramenta, o cabo de rede pode ser cortado ou agarrado e a sua mão ou braço puxado contra o acessório em movimento.
- ▶ **Nunca pouse a ferramenta eléctrica enquanto o acessório não estiver completamente parado.** O acessório em movimento pode entrar em contacto com a superfície de apoio, levando-o a perder o controlo sobre a ferramenta eléctrica.
- ▶ **Não deixe a ferramenta eléctrica a funcionar enquanto a transporta.** A sua roupa pode ser agarrada devido a contacto accidental com o acessório em movimento e este perfurar o corpo.
- ▶ **Limpe regularmente as saídas de ar da sua ferramenta eléctrica.** O ventilador do motor aspira poeiras para dentro da carcaça, podendo originar perigos de origem eléctrica devido a uma forte acumulação de pós metálicos.
- ▶ **Não utilize a ferramenta eléctrica na proximidade de materiais inflamáveis.** Faiscas podem inflamar tais materiais.
- ▶ **Não utilize quaisquer acessórios que exijam líquidos de refrigeração.** A utilização de água ou outros líquidos de refrigeração pode resultar num choque eléctrico.

Normas de segurança em caso de coice

O coice é a reacção repentina em consequência de um acessório em movimento, como disco de rebarbar, prato de rebarbar, escova de arame etc., preso ou bloqueado. A prisão ou bloqueio ocasiona uma paragem súbita do acessório em movimento. Isto faz com que uma ferramenta eléctrica descontrolada seja acelerada no ponto do bloqueio contra o sentido de rotação do acessório.

Quando, por ex., um disco de rebarbar prende ou fica bloqueado numa peça, o rebordo do disco que mergulha na peça pode encravar-se e o disco fugir ou provocar assim um coice. O disco de rebarbar move-se então no sentido do operador ou afasta-se dele, conforme o sentido de rotação do disco no ponto do bloqueio. Isto também pode levar à quebra dos discos de rebarbar.

Um coice é a consequência de uma utilização incorrecta ou deficiente da ferramenta eléctrica. Este pode ser evitado através de medidas de precaução adequadas, como descrito a seguir.

- ▶ **Agarre bem a ferramenta eléctrica com as duas mãos e coloque o corpo e os braços numa posição em que poderá absorver as forças do coice. Utilize sempre o punho adicional, caso exista, para ter o máximo controlo possível sobre as forças do coice ou os torques de reacção durante o arranque.** O operador pode dominar as forças do coice e de reacção através de medidas de precaução adequadas.
- ▶ **Nunca coloque a sua mão na proximidade de acessórios em movimento.** O acessório pode, em caso de coice, atravessar a sua mão.
- ▶ **Afaste o seu corpo da zona para onde a ferramenta eléctrica é deslocada no caso de um coice.** O coice propuliona a ferramenta eléctrica no sentido oposto ao do movimento do disco de rebarbar no ponto do bloqueio.
- ▶ **Trabalhe com particular precaução perto de cantos, arestas vivas, etc. Evite que acessórios ressaltem da peça e encravem.** O acessório em movimento tem a tendência de se encravar em cantos, arestas vivas ou quando ressalta, o que provoca uma perda de controlo ou coice.
- ▶ **Não utilize um disco com corrente ou dentado, nem um disco diamantado segmentado com fendas de largura superior a 10 mm.** Acessórios deste tipo provocam frequentemente um coice ou a perda do controlo sobre a ferramenta eléctrica.

Normas de segurança especiais para trabalhos de rebarbar e de corte por abrasão:

- ▶ **Utilize exclusivamente os rebolos autorizados para a sua ferramenta eléctrica e o resguardo de disco previsto para estes rebolos.** Rebolos que não estão previstos para a ferramenta eléctrica não podem ser resguardados o suficiente e não são seguros.
- ▶ **Discos de rebarbar côncavos devem ser montados de tal forma que a sua superfície de rebarbar não sobressaia do plano do rebordo do resguardo.** Um disco de rebarbar incorrectamente montado, que sobressaia do plano do rebordo do resguardo, não pode ser suficientemente blindado.
- ▶ **O resguardo de disco tem de estar bem colocado na ferramenta eléctrica e ajustado para um máximo de segurança de modo que a parte mais pequena possível do rebolo esteja virada de forma desprotegida para o operador.** O resguardo de disco ajuda a proteger o operador de fragmentos, contacto accidental com o rebolo bem como faiscas que poderiam incendiar o vestuário.
- ▶ **Rebolos só podem ser utilizados para as possibilidades de aplicação aprovadas. Por exemplo: nunca rebarbe com a superfície lateral de um disco de corte.** Discos de corte destinam-se à abrasão de material com o rebordo do disco. A aplicação lateral de força sobre estes rebolos pode parti-los.



- ▶ **Utilize sempre flanges de aperto não danificados, com a dimensão e forma apropriadas para o disco de rebarbar por si escolhido.** Flanges adequados apoiam o disco de rebarbar e reduzem assim o risco de quebra do disco. Flanges para discos de corte podem ser diferentes dos flanges para outros discos de rebarbar.
- ▶ **Não utilize discos de rebarbar gastos, de ferramentas eléctricas maiores.** Discos de rebarbar para ferramentas eléctricas maiores não estão dimensionados para as velocidades mais elevadas de ferramentas eléctricas mais pequenas, podendo partir.
- ▶ **Utilize sempre o resguardo previsto para a finalidade no caso de aplicar rebolos de utilização dupla.** A utilização de um resguardo errado pode proporcionar uma protecção insuficiente, podendo dar origem a ferimentos graves.

Outras normas de segurança especiais para trabalhos de corte por abrasão:

- ▶ **Evite o bloqueio do disco de corte ou força de encosto excessiva. Não execute cortes excessivamente fundos.** Uma sobrecarga do disco de corte aumenta o respectivo esforço e a predisposição para encravar ou bloquear e, assim, a possibilidade de um coice ou quebra do rebolo.
- ▶ **Evite a zona à frente e atrás do disco de corte em movimento.** Quando afasta de si o disco de corte na peça, a ferramenta eléctrica com o disco em movimento pode, no caso de um coice, ser projectada directamente na sua direcção.
- ▶ **Caso o disco de corte encrave ou o trabalho seja interrompido, desligue a ferramenta e segure-a quieta, até o disco estar imobilizado. Nunca tente puxar o disco ainda em rotação para fora do corte, pois isso pode causar um coice.** Determine e corrija a causa para o encravar do disco.
- ▶ **Não volte a ligar a ferramenta eléctrica enquanto esta se encontrar encravada na peça. Deixe que o disco de corte atinja primeiro a sua velocidade plena, antes de prosseguir, com precaução, o corte.** Caso contrário, o disco pode prender, saltar da peça ou provocar um coice.
- ▶ **Escore placas ou peças grandes, de modo a diminuir o risco de um coice devido a um disco de corte encravado.** Peças grandes podem flectir sob o seu próprio peso. A peça tem de ser escorada de ambos os lados do disco, tanto na proximidade do corte de separação como também na borda.
- ▶ **Tenha particular atenção no caso de "cortes de imersão" em paredes existentes ou noutras áreas não inspecionáveis.** Ao mergulhar na peça, o disco de corte pode provocar um coice durante o corte em tubagens de gás ou água, cabos eléctricos ou outros objectos.
- ▶ **Não tente cortar em curva.** Uma sobrecarga do disco de corte aumenta o respectivo esforço e a predisposição para emperrar ou bloquear, possibilitando, assim, um contragolpe ou uma quebra do corpo abrasivo, dando origem a ferimentos graves.

Normas de segurança especiais para trabalhos de lixar com papel abrasivo:

- ▶ **Utilize apenas folhas de lixa de tamanho adequado. Respeite as especificações do fabricante relativas ao tamanho das folhas de lixa.** Folhas de lixa que sobressaiam em demasia do prato de rebarbar podem provocar ferimentos, assim como levar ao bloqueio, ao rasgar das folhas de lixa ou a um contragolpe.

Normas de segurança especiais para trabalhos de polir:

- ▶ **Não permita partes soltas da boina de polir, em particular cordões de fixação. Acondicione ou encurte os cordões de fixação.** Cordões de fixação soltos em rotação podem agarrar dedos ou ficar presos na peça.

Normas de segurança especiais para trabalhos com escovas de arame:

- ▶ **Tenha em conta que a escova de arame também perde pontas de arame durante a utilização normal. Não sobrecarregue os arames exercendo pressão de encosto excessiva.** Pontas de arame projectadas podem atravessar facilmente roupa de pouca espessura e/ou a pele.
- ▶ **No caso de se recomendar um resguardo, evite que o resguardo e a escova de arame se possam tocar.** Escovas de disco e de copo podem aumentar o respectivo diâmetro devido à pressão de encosto e forças centrífugas.

2.3 Normas de segurança adicionais

Segurança física

- ▶ Utilize o produto e os acessórios somente se estiverem em perfeitas condições técnicas.
- ▶ Nunca efectue quaisquer manipulações ou modificações no produto ou nos acessórios.
- ▶ Segure o produto sempre com as duas mãos nos punhos previstos para o efeito. Mantenha os punhos secos, limpos e isentos de óleos e massas.
- ▶ Se o produto for utilizado sem o sistema de remoção de pó, é indispensável colocar uma máscara de protecção respiratória.



- ▶ Faça frequentemente pausas e exercícios para melhorar a circulação sanguínea nos dedos. Os trabalhos mais longos, devido às intensas vibrações, podem causar distúrbios nos vasos sanguíneos ou no sistema nervoso dos dedos, mãos ou pulsos.
- ▶ Evite o contacto com peças rotativas. Ligue o produto apenas quando estiver no local de trabalho. O contacto com peças rotativas, especialmente ferramentas rotativas, pode causar ferimentos.
- ▶ Aguarde até que o produto esteja parado, antes de o pousar.
- ▶ O produto não foi concebido para pessoas debilitadas, sem formação. Mantenha o produto fora do alcance das crianças.
- ▶ Pó produzido ao rectificar, lixar, cortar e furar pode conter produtos químicos perigosos. Alguns exemplos são: Chumbo ou tintas à base de chumbo; Tijolo, betão e outros produtos de alvenaria, pedra natural e outros produtos que contenham silicatos; Determinadas madeiras, como carvalho, faia e madeira tratada quimicamente; Amianto ou materiais contendo amianto. Determine a exposição do operador e das pessoas que se encontrem nas proximidades através da classe de perigo dos materiais a serem trabalhados. Tome as medidas necessárias para manter a exposição a um nível seguro como, por ex., a utilização de um sistema colector de pó ou o uso de uma protecção respiratória adequada. As medidas gerais para redução da exposição incluem:
 - ▶ Trabalhar num local bem ventilado,
 - ▶ Evitar o contacto prolongado com pó,
 - ▶ Afastar o pó do rosto e do corpo,
 - ▶ Usar roupa de protecção e lavar áreas expostas com água e sabão.
- ▶ Durante o utilização do produto, o utilizador e as pessoas que se encontrem na proximidade devem usar óculos de protecção, capacete de protecção e protecção auditiva.
- ▶ Use luvas de protecção durante a substituição de acessórios. Tocar no acessório pode causar ferimentos por corte e queimaduras.
- ▶ Risco de ferimentos devido a queda de ferramentas e/ou acessórios. Antes de iniciar os trabalhos, verifique se a bateria e os acessórios montados estão realmente fixos.
- ▶ Mantenha sempre as saídas de ar desobstruídas. Risco de queimaduras devido a saídas de ar tapadas!
- ▶ Ligue o produto somente quando o tiver colocado na posição de trabalho.
- ▶ Aguarde até que o produto esteja parado, antes de o pousar.
- ▶ Se o produto detectar que os limites de funcionamento foram excedidos ou que a bateria está descarregada, pode acontecer que a ferramenta não é travada pelo motor.
- ▶ Não prenda nenhum gancho de cinto a este produto.

Utilização e manutenção de ferramentas eléctricas

- ▶ Os discos de rebarbar devem ser guardados e manuseados de acordo com as instruções do fabricante.
- ▶ Nunca deve utilizar o produto sem o resguardo.
- ▶ Fixe a peça a trabalhar. Utilize grampos ou um torno de bancada para fixar a peça a trabalhar. Desta forma a peça fica mais segura do que com as mãos e, além disso, fica com ambas as mãos livres para operar o produto.
- ▶ Não utilize discos de corte para rebarbar.
- ▶ Aperte firmemente o acessório e o flange. Se o acessório e o flange não forem apertados firmemente, depois de desligar existe a possibilidade de o acessório se soltar do veio ao ser travado pelo motor da ferramenta.

Segurança eléctrica

- ▶ Antes de iniciar os trabalhos, verifique o local de trabalho relativamente a cabos eléctricos encobertos, bem como tubos de gás e água. Partes metálicas externas do produto podem causar um choque eléctrico ou uma explosão se, inadvertidamente, danificarem uma linha eléctrica, um cano de gás ou de água.
- ▶ Os produtos utilizados frequentemente para trabalhar materiais condutores e, conseqüentemente, muito sujos, devem ser verificados regularmente num Centro de Assistência Técnica **Hilti**. Humidade ou sujidade na superfície da ferramenta dificultam o seu manuseamento e, sob condições desfavoráveis, podem causar choques eléctricos.

Local de trabalho

- ▶ Ao realizar trabalhos de perfuração, veda a área que se encontra do lado oposto dos trabalhos. Restos de demolição podem desprender-se e/ou cair e ferir outras pessoas.
- ▶ As aberturas (roços) em paredes de suporte ou outras estruturas podem influenciar a estática da estrutura, especialmente ao cortar/atravesar armadura. Consulte o engenheiro, arquitecto ou responsável pelo projecto antes de iniciar os trabalhos.



2.4 Utilização e manutenção de baterias

- ▶ **Tenha em atenção as seguintes indicações de segurança para um manuseamento e utilização seguros de baterias de iões de lítio.** A inobservância pode causar irritações da pele, ferimentos corrosivos graves, queimaduras químicas, fogo e/ou explosões.
- ▶ Utilize baterias somente se estiverem em perfeitas condições técnicas.
- ▶ Manuseie cuidadosamente as baterias a fim de evitar danos e impedir a fuga de líquidos extremamente nocivos!
- ▶ As baterias não devem, em caso algum, ser modificadas ou manipuladas!
- ▶ As baterias não podem ser desmanteladas, esmagadas, aquecidas acima dos 80 °C (176 °F) ou incineradas.
- ▶ Não utilize ou carregue baterias que tenham recebido uma pancada ou que estejam, de outra forma, danificadas. Verifique regularmente se as suas baterias apresentam indícios de danos.
- ▶ Nunca utilize baterias recicladas ou reparadas.
- ▶ Nunca utilize a bateria ou uma ferramenta eléctrica a bateria como ferramenta de percussão.
- ▶ Nunca expor as baterias à radiação solar directa, temperaturas elevadas, faíscas ou chamas abertas. Isso pode dar origem a explosões.
- ▶ Não toque nos pólos da bateria com os dedos, ferramentas, jóias ou outros objectos condutores da electricidade. Isto pode danificar a bateria e causar danos materiais e ferimentos.
- ▶ Mantenha as baterias afastadas da chuva, humidade e líquidos. A entrada de humidade pode causar curto-circuitos, choques eléctricos, queimaduras, incêndio e explosões.
- ▶ Utilize apenas carregadores e ferramentas eléctricas previstos para este tipo de bateria. Para isso, tenha em atenção as indicações nos respectivos manuais de instruções.
- ▶ Nunca utilize nem guarde a bateria em ambientes potencialmente explosivos.
- ▶ Se a bateria estiver demasiado quente ao toque, poderá estar com defeito. Coloque a bateria num local com boa visibilidade que não constitua risco de incêndio, suficientemente afastado de materiais inflamáveis. Deixe a bateria arrefecer. Se, passado uma hora, a bateria ainda estiver demasiado quente ao toque, então está com defeito. Contacte o Centro de Assistência Técnica **Hilti** ou leia a documento "Indicações relativas à segurança e utilização de baterias de iões de lítio **Hilti**".



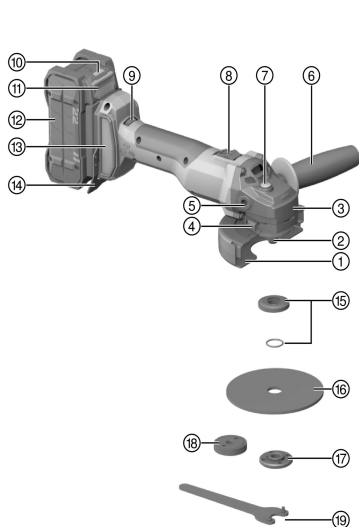
Observe as regras específicas aplicáveis ao transporte, à armazenagem e à utilização de baterias de iões de lítio. → Página 75

Leia as indicações relativas à segurança e utilização de baterias de iões de lítio **Hilti** que encontra efectuando a leitura do código QR na parte final deste manual de instruções.



3 Descrição

3.1 Vista geral do produto 1



- ① Resguardo de origem
- ② Veio
- ③ Seta indicadora do sentido de rotação
- ④ Botão de destravamento do resguardo
- ⑤ Casquilho roscado para punho
- ⑥ Punho auxiliar
- ⑦ Botão de bloqueio do veio
- ⑧ Interruptor on/off
- ⑨ Controle da velocidade
- ⑩ Indicação de estado da bateria
- ⑪ Botão de destravamento da bateria
- ⑫ Bateria
- ⑬ Filtro de pó
- ⑭ Chapa de protecção contra faíscas
- ⑮ Flange de aperto com O-ring
- ⑯ Disco de corte por abrasão/Disco de desbaste por abrasão
- ⑰ Porca de aperto
- ⑱ Porca de aperto rápido **Kwik lock** (opcional)
- ⑲ Chave de aperto

3.2 Utilização conforme a finalidade projectada

O produto descrito é uma rebardadora angular a bateria de utilização manual. Foi concebida para cortar por abrasão e desbastar por abrasão materiais metálicos e minerais, para escovar, para lixar com papel abrasivo sem a utilização de água. Só pode ser utilizada para cortar e rebarbar a seco.

- Para este produto, utilize apenas baterias de íões de lítio **Hilti** Nuron da série B 22. Para garantir o desempenho perfeito, a **Hilti** recomenda para este produto as baterias indicadas nesta tabela, no fim deste manual de instruções.
- Para estas baterias utilize apenas carregadores **Hilti** das séries referidas na tabela no final deste manual de instruções.

3.3 Indicações da bateria de íões de lítio

As baterias de íões de lítio **Hilti** Nuron podem apresentar o estado de carga, mensagens de erro e o estado da bateria.

3.3.1 Indicações relativas ao estado de carga e mensagens de erro



AVISO

Risco de ferimentos devido à queda da bateria!

- Com a bateria encaixada, depois de pressionar o botão de destravamento, certifique-se de que volta a encaixar a bateria correctamente no produto utilizado.

Para obter uma das seguintes indicações, pressione brevemente o botão de destravamento da bateria. O estado de carga, assim como, possíveis avarias são apresentados de forma permanente, enquanto o produto conectado estiver ligado.

Estado	Significado
Quatro (4) LEDs estão sempre acesos a verde	Estado de carga: 100% a 71%
Três (3) LEDs estão sempre acesos a verde	Estado de carga: 70% a 51%
Dois (2) LEDs estão sempre acesos a verde	Estado de carga: 50% a 26%
Um (1) LED está sempre aceso a verde	Estado de carga: 25% a 10%



Estado	Significado
Um (1) LED pisca lentamente a verde	Estado de carga: < 10%
Um (1) LED pisca rapidamente a verde	A bateria de iões de lítio está completamente descarregada. Carregue a bateria. Se o LED ainda estiver a piscar rapidamente depois de carregar a bateria, contacte o Centro de Assistência Técnica Hilti .
Um (1) LED pisca rapidamente a amarelo	A bateria de iões de lítio ou o produto associado estão sobrecarregados, demasiado quentes, demasiado frios ou existe alguma outra falha. O produto e a bateria devem ser utilizados à temperatura de trabalho recomendada e o produto não deve ser sobrecarregado quando está a ser utilizado. Se a mensagem persistir, contacte o Centro de Assistência Técnica Hilti .
Um (1) LED acende-se a amarelo	A bateria de iões de lítio e o produto a ela ligado não são compatíveis. Contacte a Assistência Técnica Hilti .
Um (1) LED pisca rapidamente a vermelho	A bateria de iões de lítio está bloqueada e não pode continuar a ser utilizada. Contacte a Assistência Técnica Hilti .

3.3.2 Indicações relativas ao estado da bateria

Para consultar o estado da bateria, mantenha o botão de destravamento pressionado por mais de três segundos. O sistema não detecta potenciais anomalias da bateria devido a utilização inadequada como, por ex., quedas, perfurações, danos externos provocados pelo calor, etc.

Estado	Significado
Todos os LEDs acendem como luz de perseguição e, em seguida, um (1) LED está sempre aceso a verde.	A bateria pode continuar a ser utilizada.
Todos os LEDs acendem como luz de perseguição e, em seguida, um (1) LED pisca rapidamente a amarelo.	Não foi possível concluir a consulta sobre o estado da bateria. Repita o procedimento ou contacte o Centro de Assistência Técnica Hilti .
Todos os LEDs acendem como luz de perseguição e, em seguida, um (1) LED está sempre aceso a vermelho.	Se um produto conectado ainda puder ser utilizado, a capacidade restante da bateria é inferior a 50%. Se um produto conectado já não puder ser utilizado, a bateria está no fim da sua vida útil e deve ser substituída. Contacte a Assistência Técnica Hilti .

3.4 Incluído no fornecimento

Rebarbadora angular, punho auxiliar, resguardo de origem, tampa dianteira, falange de aperto, porca de aperto, chave de aperto, filtro de pó, manual de instruções.

Poderá encontrar outros produtos de sistema aprovados para o seu produto na sua **Hilti Store** ou em: www.hilti.group

3.5 ATC

O produto está equipado com desactivação rápida electrónica ATC (Active Torque Control).

Se o acessório bloquear ou ficar preso, o produto irá rodar subitamente de forma descontrolada no sentido contrário. O ATC detecta este súbito movimento de rotação do produto e desliga imediatamente o produto.



Para o funcionamento correcto é necessário que o produto possa rodar.

Depois de efectuada a desactivação rápida, desligue e volte a ligar o produto.



3.6 Função de protecção do motor

A função de protecção do motor monitoriza a potência de entrada e a temperatura do motor e protege o produto para que não entre em sobreaquecimento.

Em caso de sobrecarga do motor devido a excessiva força de pressão, a potência do produto diminuirá consideravelmente, podendo até o produto parar.



Caso se verifique uma paragem ou uma redução das rotações devido a sobrecarga, alivie a pressão exercida e deixe o produto a trabalhar sem carga por aprox. 30 segundos.

3.7 Travão incorporado

O tempo da marcha por inércia até o acessório parar é reduzido devido ao travão incorporado.



Esta função só é assegurada enquanto o produto estiver ligado à corrente.
O tempo de travagem difere em função do acessório seleccionado.

3.8 Tampa dianteira

Utilize a tampa dianteira com resguardo de origem para as aplicações abaixo referidas:

- Desbastar por abrasão com discos de desbaste por abrasão rectos
- Cortar por abrasão com discos de corte por abrasão

3.9 Dispositivo de extracção de pó (cortar) DC-EX 125/5" C Resguardo compacto (acessório)

Para cortar materiais minerais por abrasão com discos de corte por abrasão diamantados deve utilizar-se o resguardo compacto DC-EX 125/5" C.

Não é permitido trabalhar metal com este resguardo.

3.10 Dispositivo de extracção de pó (cortar) DC-EX 125/5"M (acessório)

Trabalhos de corte por abrasão e abertura de roços em materiais minerais com discos de corte por abrasão diamantados só podem ser executados com um dispositivo de extracção de pó.

CUIDADO Não é permitido trabalhar metal com este resguardo.

3.11 Dispositivo de extracção de pó (rebarbar) DG-EX 125/5" (acessório)

O sistema de rebarbar só é adequado para rebarbar materiais minerais com mó diamantada (trabalhos ocasionais).

Não é permitido trabalhar metal com este resguardo.

4 Consumíveis

Só devem ser utilizados discos reforçados com fibras e ligados com resina sintética para, no máx., Ø 5" (125 mm), que estejam aprovados para uma rotação de, pelo menos 11 000 rpm e uma velocidade periférica de 262 ft/s (80 m/s).

A espessura do disco deve ser, no máximo, de 1/4" (7 mm).

ATENÇÃO! Ao efectuar trabalhos de corte e abertura de roços com discos de corte, utilize sempre o resguardo de origem com tampa dianteira adicional ou um dispositivo de extracção de pó completamente fechado.

Discos

Tipo	Aplicação	Sigla	Material base
Disco de corte abrasivo	Cortar por abrasão, abrir roços	AC-D	metálico
Disco de corte diamantado	Cortar por abrasão, abrir roços	DC-D (SPX, SP, P)	mineral
Disco de desbaste abrasivo	Desbastar por abrasão	AG-D, AF-D, AN-D	metálico



Tipo	Aplicação	Sigla	Material base
Disco de desbaste diamantado	Desbastar por abrasão	DG-CW (SPX, SP, P)	mineral
Escova de arame	Escovas de arame	3CS, 4CS, 3SS, 4SS	metálico
Disco de fibra	Desbastar por abrasão	AP-D	metálico

Atribuição dos discos ao equipamento utilizado

Pos.	Equipamento	AC-D	AP-D	AG-D, AF-D, AN-D	DG-CW (SPX, SP, P)	DC-D (SPX, SP, P)	3CS, 4CS, 3SS, 4SS,
A	Resguardo (padrão)	✓	✓	✓	✓	✓	✓
B	Tampa dianteira (em combinação com A)	✓	—	—	—	✓	—
C	Dispositivo de extração de pó (rebarbar) DG-EX 1255"	—	—	—	✓	—	—
D	Dispositivo de extração de pó (cortar) DC-EX 1255"C (em combinação com A)	—	—	—	—	✓	—
E	Dispositivo de extração de pó (abrir roços) DC-EX 125/5"M	—	—	—	—	✓	—
F	Adaptador DC-EX SL (em combinação com E)	—	—	—	—	✓	—
G	Punho auxiliar (padrão)	✓	✓	✓	✓	✓	✓
H	Porca de aperto (padrão)	✓	—	✓	✓	✓	—
I	Flange de aperto (padrão)	✓	—	✓	✓	✓	—
J	Kwik lock (opcional para H)	✓	—	—	—	✓	—
K	Porca de aperto (disco de fibra)	—	✓	—	—	—	—
L	Prato de apoio (disco de fibra)	—	✓	—	—	—	—

5 Características técnicas

	AG 4S-22-5
Tensão nominal	21,6 V
Velocidade nominal	8 500 rpm
Diâmetro máximo dos discos	5 in
Peso sem bateria	2,1 kg (4,6 lb)
Rosca do veio de accionamento	5/8"-11
Comprimento do veio	22 mm (0,9 in)



	AG 4S-22-5
Temperatura ambiente durante o funcionamento	-17 °C ... 60 °C (1 °F ... 140 °F)
Temperatura de armazenagem	-20 °C ... 70 °C (-4 °F ... 158 °F)

5.1 Bateria

Tensão de serviço da bateria	21,6 V
Peso da bateria	Consultar o fim deste manual de instruções
Temperatura ambiente durante o funcionamento	-17 °C ... 60 °C (1 °F ... 140 °F)
Temperatura de armazenagem	-20 °C ... 40 °C (-4 °F ... 104 °F)
Temperatura da bateria no início do carregamento	-10 °C ... 45 °C (14 °F ... 113 °F)

6 Preparação do local de trabalho

AVISO

Risco de ferimentos devido a arranque involuntário!

- ▶ Antes de encaixar a bateria, certifique-se de que o produto correspondente está desligado.
- ▶ Remova a bateria, antes de efectuar ajustes na ferramenta ou substituir acessórios.

Tenha em atenção as instruções de segurança e as advertências nesta documentação e no produto.

6.1 Carregar a bateria

1. Antes de carregar, leia o manual de instruções do carregador.
2. Certifique-se de que os contactos da bateria e do carregador estão limpos e secos.
3. Carregue a bateria num carregador aprovado. → Página 66

6.2 Colocar a bateria

AVISO

Risco de ferimentos devido a curto-circuito ou queda da bateria!

- ▶ Antes de encaixar a bateria, certifique-se de que os contactos da bateria e os contactos no produto estão livres de corpos estranhos.
- ▶ Certifique-se de que a bateria engata sempre correctamente.

1. A bateria deve ser completamente carregada antes da primeira utilização.
2. Introduza a bateria no produto até engatar de forma audível.
3. Verifique se a bateria está correctamente encaixada.

6.3 Retirar a bateria

1. Pressione o botão de destravamento da bateria.
2. Puxe a bateria para fora do produto.

6.4 Montar o punho auxiliar

- ▶ Enrosque o punho auxiliar num dos casquilhos roscados previstos para o efeito.



6.5 Montar ou desmontar o resguardo do disco

CUIDADO

Risco de ferimentos. O acessório pode estar quente ou com arestas vivas.

- ▶ Use luvas de protecção durante a montagem, desmontagem, trabalhos de ajuste e eliminação de avarias.
- ▶ Preste atenção às instruções de montagem do respectivo resguardo do disco.

6.5.1 Montar o resguardo de origem

O resguardo de disco possui ranhuras de posicionamento que garantem que apenas os resguardos adequados podem ser utilizados no produto. As ranhuras de posicionamento do resguardo do disco encaixam no respectivo suporte do produto.

1. Coloque o resguardo de disco na gola do veio de forma que as duas marcas triangulares no resguardo e no produto coincidam.
2. Empurre o resguardo do disco sobre a gola em torno do veio de transmissão.
3. Pressione o botão de destravamento do resguardo e rode o resguardo de disco para a posição desejada, até que encaixe.
 - ▶ O botão de destravamento do resguardo volta para trás.

6.5.2 Ajustar o resguardo de origem

- ▶ Pressione o botão de destravamento do resguardo e rode o resguardo de disco para a posição desejada, até que encaixe.

6.5.3 Desmontar o resguardo de origem

1. Pressione o botão de destravamento do resguardo e rode o resguardo de disco até que as duas marcas triangulares no resguardo e no produto coincidam.
2. Retire o resguardo do disco.

6.6 Montar ou desmontar a tampa dianteira

A tampa dianteira tem de ser montada sobre o resguardo do disco de origem.

1. Coloque a tampa dianteira com o lado fechado virado para cima sobre o resguardo do disco de origem.
 - ▶ O travamento tem de encaixar de forma audível.
2. Para desmontar, abra o travamento da tampa dianteira.
3. Desmonte a tampa dianteira do resguardo do disco de origem.

6.7 Montar o dispositivo de segurança Hilti (opcional)

Enquanto estiver a trabalhar com o produto deve respeitar as directivas nacionais relativamente a trabalhos em posição elevada.

Tenha em atenção o manual de instruções do dispositivo de segurança.

1. Coloque as duas patilhas do dispositivo de segurança adequadamente na chapa de protecção contra faíscas.
2. Fixe o dispositivo de segurança, com os respectivos parafusos, através dos orifícios previstos para o efeito na chapa de protecção contra faíscas.
3. Insira a bateria. → Página 70




6.8 Protecção anti-queda

AVISO


Risco de ferimentos devido a queda de ferramentas e/ou acessórios!

- ▶ Utilize apenas o cabo de segurança para ferramentas **Hilti** recomendado para o seu produto.
- ▶ Antes de cada utilização, verifique o ponto de fixação do cabo de segurança para ferramentas quanto a possíveis danos.

 Observe as directivas nacionais para trabalhos em altura.

Utilize exclusivamente uma combinação entre a protecção anti-queda **Hilti** e o cabo de segurança para ferramentas **Hilti** #2261970.

- ▶ Fixe o dispositivo de segurança nas aberturas de montagem para acessórios. Verifique se está bem apertado.
- ▶ Fixe um mosquetão do cabo de segurança para ferramentas no dispositivo de segurança e o segundo mosquetão a uma estrutura de suporte. Verifique se ambos os mosquetões estão bem apertados.

 Observe os manuais de instruções do dispositivo de segurança **Hilti**, bem como do cabo de segurança para ferramentas **Hilti**.

6.9 Montar ou desmontar acessórios

CUIDADO


Risco de ferimentos. O acessório pode estar quente.

- ▶ Use luvas de protecção ao mudar o acessório.

CUIDADO

Perigo devido a desprendimento não controlado em caso de acessório com rosca incorporada! Uma montagem inadequada do acessório pode causar ferimentos graves.

- ▶ Aperte o acessório com rosca incorporada sempre à mão.

 Discos diamantados têm de ser substituídos logo que a capacidade de corte ou rebarbar diminua claramente. Isso acontece em geral quando a altura dos segmentos diamantados é inferior a 1/16". Outros tipos de discos têm de ser substituídos logo que a capacidade de corte diminua claramente ou partes da rebarbadora angular (excepto o disco), durante o trabalho, entram em contacto com o material a trabalhar.

Discos abrasivos têm de ser substituídos uma vez expirado o prazo de validade.

6.9.1 Montar o acessório

AVISO

Risco de ferimentos. Ao travar o motor da ferramenta, o acessório pode soltar-se.

- ▶ Aguarde até que o acessório esteja parada, antes de agarrar o acessório ou a porca tensora.
- ▶ Aperte firmemente o acessório e a flange de aperto com a porca tensora de modo que, ao travar o motor da ferramenta, nenhuma peça se soltem do veio.

1. Limpe o flange de aperto e a porca de aperto.
2. Verifique se o O-ring está presente no flange de aperto e não está danificado.
 - ▶ Substitua um O-ring em falta ou danificado.
3. Coloque o flange de aperto de forma ajustada e bem apertada no veio.
4. Coloque o acessório.
5. Aperte a porca de aperto consoante o acessório utilizado.
6. Pressione o botão de bloqueio do veio e mantenha-o pressionado.
7. Com a chave de aperto, aperte a porca de aperto. Em seguida, solte o botão de bloqueio do veio e retire a chave de aperto.



6.9.2 Desmontar o acessório

AVISO

Risco de quebra e de destruição. Se o botão de bloqueio do veio for pressionado enquanto o veio roda, o acessório pode soltar-se.

- ▶ Pressione o botão de bloqueio do veio só quando o veio parar de rodar.

1. Pressione o botão de bloqueio do veio e mantenha-o pressionado.
2. Solte a porca de aperto, aplicando a chave de aperto e rodando-a no sentido contrário ao dos ponteiros do relógio.
3. Largue o botão de bloqueio do veio e retire o acessório.

6.9.3 Montar Kwik lock

AVISO

Risco de ruptura. Devido ao desgaste acentuado, a porca de aperto rápido **Kwik lock** pode sofrer ruptura.

- ▶ Durante os trabalhos, certifique-se de que a porca de aperto rápido **Kwik lock** não toca no material base.
- ▶ Não utilize porcas de aperto rápido **Kwik lock** danificadas.



A porca de aperto rápido **Kwik lock** pode ser utilizada em vez da porca de aperto normal. Não são assim necessárias ferramentas adicionais para substituir os acessórios.

1. Limpe o flange de aperto e a porca de aperto.
2. Verifique se o O-ring está presente no flange de aperto e não está danificado.
 - ▶ Substitua um O-ring em falta ou danificado.
3. Coloque o flange de aperto de forma ajustada e bem apertada no veio.
4. Coloque o acessório.
5. Aperte a porca de aperto rápido **Kwik lock** sobre o veio até encostar no acessório.
 - ▶ A gravação **Kwik lock** fica visível após a porca ter sido apertada.
6. Pressione e mantenha pressionado o botão de bloqueio do veio.
7. Continue a apertar o acessório manualmente (com firmeza) na direcção dos ponteiros do relógio até que a porca de aperto rápido **Kwik lock**.
8. Liberte o botão de bloqueio do veio.

6.9.4 Montar acessório com rosca integrada

1. Aparafuse o acessório ao veio de transmissão.
2. Pressione o botão de bloqueio do veio e mantenha-o pressionado.
3. Aperte o acessório com uma chave de forqueta e, em seguida, largue o botão de bloqueio do veio.

6.9.5 Desmontar acessório com rosca integrada

AVISO

Risco de quebra e de destruição. Se o botão de bloqueio do veio for pressionado enquanto o veio roda, o acessório pode soltar-se.

- ▶ Pressione o botão de bloqueio do veio só quando o veio parar de rodar.

1. Pressione o botão de bloqueio do veio e mantenha-o pressionado.
2. Solte o acessório com uma chave de forqueta.
3. Largue o botão de bloqueio do veio e retire o acessório.

6.9.6 Montar a escova de arame

1. Monte o punho auxiliar. → Página 70
2. Monte o resguardo de origem.
3. Volte a colocar a escova de arame e aperte-a à mão.
4. Pressione o botão de bloqueio do veio e mantenha-o pressionado.
5. Aperte a escova de arame com uma chave de forqueta adequada.
6. Em seguida, solte o botão de bloqueio do veio e retire a chave de forqueta.



6.9.7 Montar o disco de fibra

1. Monte o punho auxiliar. → Página 70
2. Monte o resguardo de origem.
3. Coloque o prato de apoio e o disco de fibra e aperte a porca de aperto.
4. Pressione o botão de bloqueio do veio e mantenha-o pressionado.
5. Aperte a porca de aperto com a chave de aperto.
6. Em seguida, solte o botão de bloqueio do veio e retire a chave de aperto.

7 Utilização

7.1 Ligar

1. Pressione a parte de trás do interruptor on/off.
2. Empurre o interruptor on/off para a frente.
 - ▶ O motor funciona.
3. Bloqueie o interruptor on/off.

7.2 Lixar

AVISO

Risco de ferimentos. O acessório pode encravar ou prender repentinamente.

- ▶ Utilize o produto com o punho auxiliar e segure o produto sempre com as duas mãos.

Não deixe que o acessório fique entalado e evite exercer pressão excessiva sobre o produto.

7.3 Cortar por abrasão

- ▶ Ao cortar por abrasão, trabalhe com avanço moderado e não emperre o produto ou o disco de corte (a posição de trabalho situa-se aprox. 90° relativamente ao plano de corte).



A melhor maneira de separar perfis e tubos quadrados pequenos é aplicar o disco de corte na parte com a secção mais pequena.

7.4 Desbastar por abrasão

AVISO

Risco de ferimentos. O disco de corte por abrasão pode fragmentar-se e peças que se soltam podem provocar ferimentos.

- ▶ Nunca utilize discos de corte por abrasão para desbastar por abrasão.
- ▶ Mova o produto em movimentos pendulares com um ângulo de incidência de 5° a 30° e com pressão moderada.
 - ▶ A peça não fica demasiado quente, não muda de cor e não ficam estrias.

7.5 Desligar

- ▶ Pressione a parte de trás do interruptor on/off.
 - ▶ O interruptor on/off salta para a posição off e o motor pára.

8 Conservação e manutenção

AVISO

Risco de lesão com a bateria encaixada !

- ▶ Retire sempre a bateria antes de todos os trabalhos de conservação e manutenção!



PERIGO

Choque eléctrico devido à falta de isolamento duplo. Ao trabalhar metais em condições de utilização extremas, pode depositar-se pó condutor (por ex. metal, fibra de carbono) no interior da ferramenta e comprometer o isolamento duplo.

- ▶ Utilize um sistema de aspiração fixo em caso de condições de utilização extremas.
- ▶ Limpe frequentemente as saídas de ar.

Conservação do produto

- Remova sujidade persistente com cuidado.
- Limpe a carcaça apenas com um pano ligeiramente húmido. Não utilize produtos de conservação que contenham silicone, uma vez que estes podem danificar os componentes de plástico.
- Utilize um pano limpo e seco, para limpar os contactos do produto.

Conservação das baterias de iões de lítio

- Nunca utilize uma bateria com as saídas de ar obstruídas. Limpe as saídas de ar cuidadosamente com uma escova seca e macia.
- Evite que a bateria seja exposta desnecessariamente a pó ou sujidade. Nunca exponha a bateria a humidade elevada (por ex., mergulhar em água ou deixar à chuva).
Se uma bateria tiver ficado encharcada, trate-a como uma bateria danificada. Isole-a num recipiente não inflamável e contacte o Centro de Assistência Técnica **Hilti**.
- Mantenha a bateria sem resíduos de óleo e massa consistente externa. Não permita que se acumule desnecessariamente pó ou sujidade sobre a bateria. Limpe a bateria com uma escova seca e macia ou um pano limpo e seco. Não utilize produtos de conservação que contenham silicone, uma vez que estes podem danificar os componentes de plástico.
Não toque nos contactos da bateria nem remova dos contactos a massa consistente aplicada de fábrica.
- Limpe a carcaça apenas com um pano ligeiramente húmido. Não utilize produtos de conservação que contenham silicone, uma vez que estes podem danificar os componentes de plástico.

Manutenção

- Verifique, regularmente, todos os componentes visíveis quanto a danos e os comandos operativos quanto a funcionamento perfeito.
- Não opere o produto se existirem danos e/ou perturbações de funcionamento. Mande reparar o produto imediatamente no Centro de Assistência Técnica **Hilti**.
- Após os trabalhos de conservação e manutenção, aplique todos os dispositivos de protecção e verifique se funcionam correctamente.



Para um funcionamento seguro, utilize apenas peças sobresselentes e consumíveis originais. Poderá encontrar peças sobresselentes, consumíveis e acessórios aprovados pela **Hilti** para o seu produto na sua **Hilti Store** ou em: www.hilti.group

9 Transporte e armazenamento de ferramentas a bateria e baterias

Transporte

CUIDADO

Arranque inadvertido durante o transporte !

- ▶ Transporte os seus produtos sempre sem as baterias colocadas!
- ▶ Retire a/as bateria(s).
- ▶ Nunca transporte as baterias sem embalagem. Durante o transporte, as baterias devem ser protegidas contra impactos e vibrações excessivos e isoladas de quaisquer materiais condutores ou outras baterias, para que não entrem em contacto com os pólos de outras baterias e causem um curto-circuito. **Observe as suas normas de transporte locais para baterias.**
- ▶ As baterias não devem ser enviadas por correio. Quando pretender enviar baterias não danificadas, contacte uma empresa transportadora.
- ▶ Verifique o produto e as baterias quanto a danos antes de cada utilização, bem como antes e depois de longos períodos de transporte.



Armazenamento**AVISO****Dano acidental devido a baterias com defeito ou a perderem líquido !**

- ▶ Armazene os seus produtos sempre sem as baterias colocadas!
-
- ▶ Guarde o produto e as baterias em lugar fresco e seco. Tenha em atenção os valores limite de temperatura, que estão indicados nas Características técnicas.
 - ▶ Não guarde as baterias no carregador. Após o processo de carregamento, retire sempre a bateria do carregador.
 - ▶ Nunca armazene as baterias em locais sujeitos a exposição solar, em cima de fontes de calor ou por trás de um vidro.
 - ▶ Guarde o produto e as baterias fora do alcance das crianças e das pessoas não autorizadas.
 - ▶ Verifique o produto e as baterias quanto a danos antes de cada utilização, bem como antes e depois de longos períodos de armazenamento.

10 Ajuda em caso de avarias

Em todas as avarias, observe o indicador do estado de carga e de avaria da bateria. Consultar capítulo **Indicações da bateria de íões de lítio**.

No caso de avarias que não sejam mencionadas nesta tabela ou se não conseguir resolvê-las por si mesmo, contacte o nosso Centro de Assistência Técnica **Hilti**.

Avaria	Causa possível	Solução
Não é possível ligar o produto.	A bateria está descarregada.	▶ Substitua a bateria e carregue a bateria descarregada.
A bateria descarrega-se mais depressa do que habitualmente.	Temperatura ambiente muito baixa.	▶ Deixe a bateria aquecer lentamente até à temperatura ambiente.
A bateria não encaixa com clique audível.	A patilha de fixação na bateria está suja.	▶ Limpe a patilha de fixação e volte a encaixar a bateria.
Rebarbadora angular ou bateria aquece demasiado.	Avaria eléctrica	▶ Desligue o produto imediatamente, retire a bateria, observe a mesma, deixe-a arrefecer e contacte o Centro de Assistência Técnica Hilti .
	Saídas de ar obstruídas	▶ Limpe regularmente as saídas de ar.
Sem função de travagem do motor.	A bateria está descarregada.	▶ Substitua a bateria e carregue a bateria descarregada.
	Produto sobrecarregado por instantes.	▶ Desligue e volte a ligar o produto.

11 Reciclagem**AVISO**

Perigo de ferimentos devido a eliminação incorrecta! Riscos para a saúde devido à fuga de gases ou líquidos.

- ▶ Não envie quaisquer baterias danificadas!
- ▶ Para evitar curto-circuitos, cubra as conexões com um material não condutor.
- ▶ Elimine as baterias de modo a mantê-las longe do alcance das crianças.
- ▶ Efectue a reciclagem da bateria na sua **Hilti Store** ou entre em contacto com a empresa de recolha de lixo responsável.

Os produtos **Hilti** são, em grande parte, fabricados com materiais recicláveis. Um pré-requisito para a reciclagem é que esses materiais sejam devidamente separados. Em muitos países, a **Hilti** aceita o seu aparelho usado para reaproveitamento. Para mais informações, dirija-se ao Serviço de Clientes **Hilti** ou ao seu vendedor.





-
- ▶ Não deite as ferramentas eléctricas, aparelhos electrónicos e baterias no lixo doméstico!
-

12 Garantia do fabricante

- ▶ Se tiver dúvidas em relação às condições de garantia, contacte o seu parceiro **Hilti** local.

13 Mais informações

Pode consultar informações mais pormenorizadas sobre Utilização, Tecnologia, Meio ambiente e Reciclagem na seguinte hiperligação: qr.hilti.com/manual/?id=2252234&id=2272270

Também pode encontrar esta hiperligação no final da documentação sob a forma de código QR.



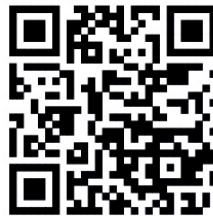


 **NURON**



B 22-55 (01)	0,56 kg	1.23 lb
B 22-85 (01)	0,77 kg	1.70 lb
B 22-110 (01)	0,92 kg	2.03 lb
B 22-170 (01)	1,34 kg	2.95 lb
B 22-255 (01)	1,87 kg	4.12 lb

C 4-22
C 6-22
C 8-22





Hilti Corporation
LI-9494 Schaan
Tel.:+423 234 21 11
Fax:+423 234 29 65
www.hilti.com



2272270