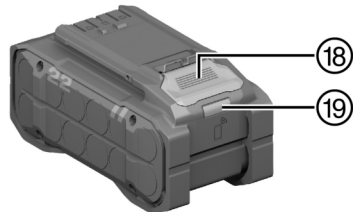
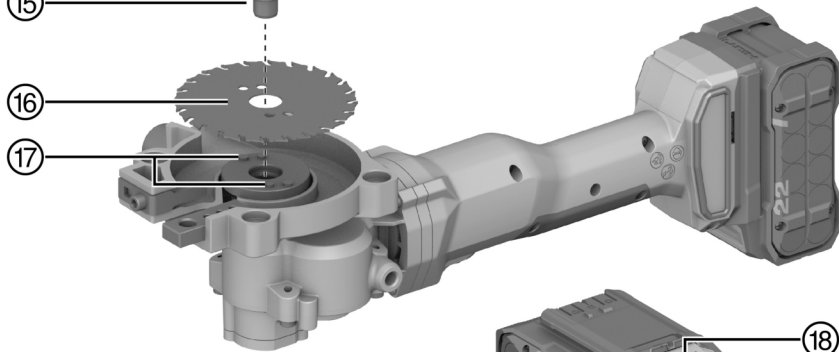
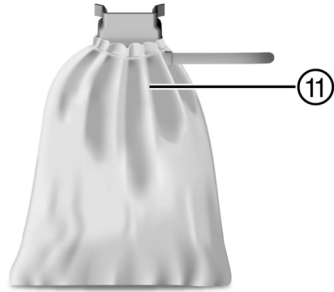
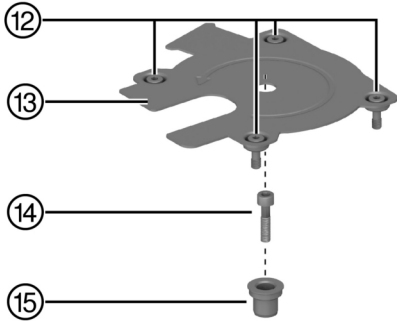
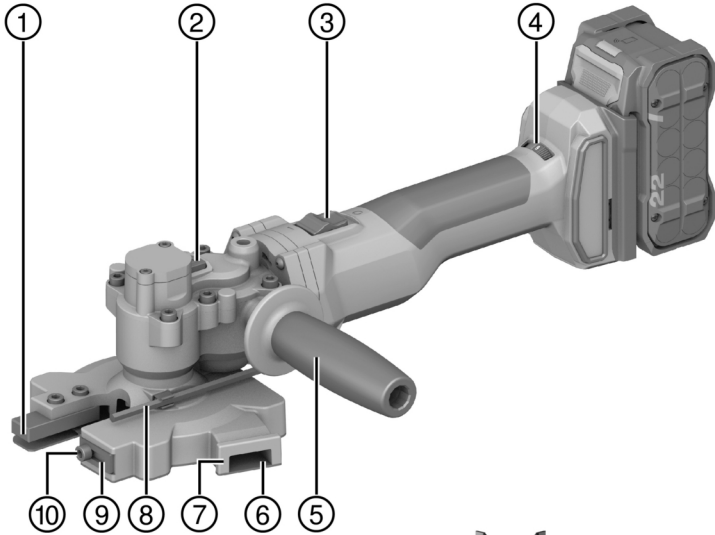
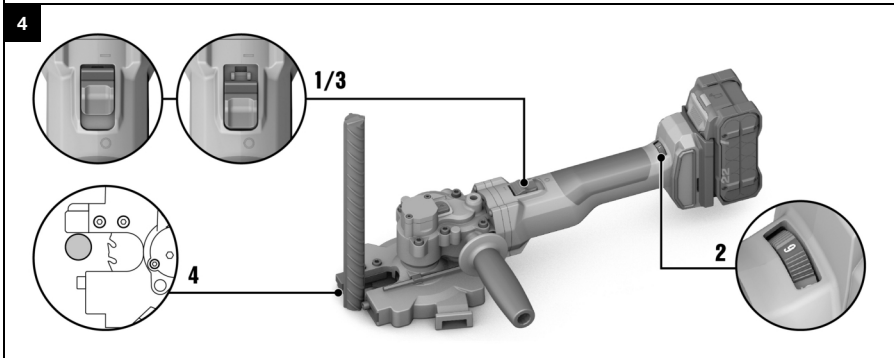
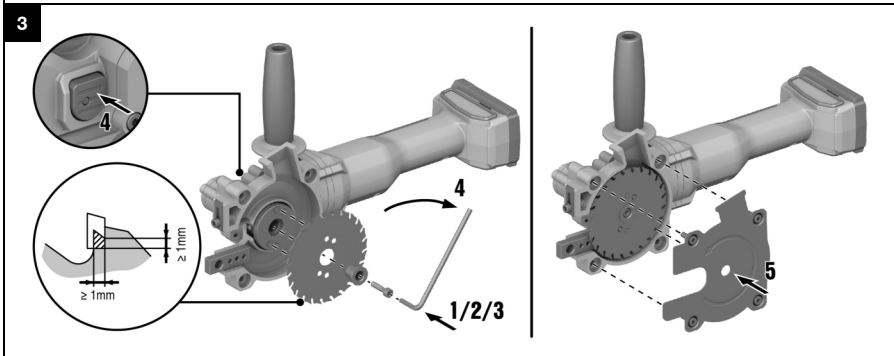
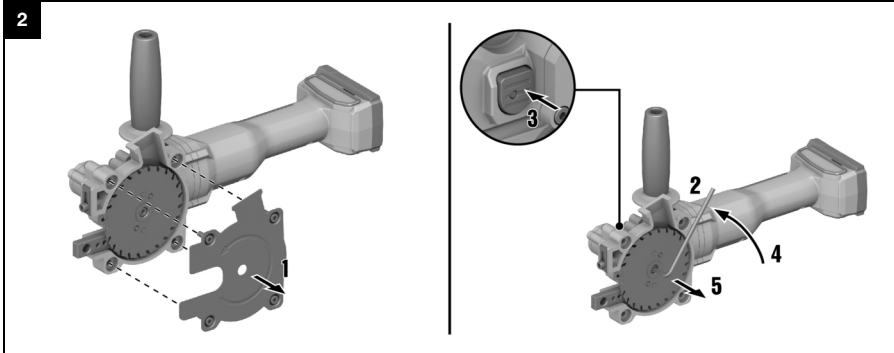




NRC 6-22
NURON

English	1
Français	14
Español	29
Português	44





NRC 6-22

en	Original operating instructions	1
fr	Notice d'utilisation originale	14
es	Manual de instrucciones original	29
pt	Manual de instruções original	44

Original operating instructions

1 Information about the operating instructions

1.1 About these operating instructions

- **Warning!** Read and understand all accompanying documentation, including but not limited to instructions, safety warnings, illustrations, and specifications provided with this product. Familiarize yourself with all the instructions, safety warnings, illustrations, specifications, components, and functions of the product before use. Failure to do so may result in electric shock, fire, and/or serious injury. Save all warnings and instructions for future reference.
- products are designed for professional users and only trained, authorized personnel are permitted to operate, service and maintain the products. This personnel must be specifically informed about the possible hazards. The product and its ancillary equipment can present hazards if used incorrectly by untrained personnel or if used not in accordance with the intended use.
- The accompanying documentation corresponds to the current state of the art at the time of printing. Please always check for the latest version on the product's page on Hilti's website. To do this, follow the link or scan the QR code in this documentation, marked with the symbol .
- Ensure that these operating instructions are with the product when it is given to other persons.

1.2 Explanation of symbols

1.2.1 Warnings

Warnings alert persons to hazards that occur when handling or using the product. The following signal words are used:

DANGER

DANGER !

- ▶ Draws attention to imminent danger that will lead to serious personal injury or fatality.

WARNING

WARNING !

- ▶ Draws attention to a potential threat of danger that can lead to serious injury or fatality.

CAUTION

CAUTION !

- ▶ Draws attention to a potentially dangerous situation that could lead to personal injury or damage to the equipment or other property.

1.2.2 Symbols in the operating instructions

The following symbols are used in these operating instructions:

	Comply with the operating instructions
	Instructions for use and other useful information
	Dealing with recyclable materials
	Do not dispose of electric equipment and batteries as household waste
	Hilti Li-ion battery
	Hilti charger

1.2.3 Symbols in illustrations

The following symbols are used in illustrations:

- 2** These numbers refer to the illustrations at the beginning of these operating instructions.



3	The numbers in illustrations refer to important work steps or to components important for the work steps. In the text, the corresponding numbers draw attention to these work steps or components, e.g. (3).
	Item reference numbers are used in the overview illustration and refer to the numbers used in the key in the product overview section.
	This symbol is intended to draw your special attention to certain points for handling the product.

1.3 Symbols on the product

1.3.1 General symbols

The following symbols can be used on the product:

n_0	No-load speed
/min	Revolutions per minute
RPM	Revolutions per minute
	Diameter
	Saw blade
	Direct current (DC)
	The product supports near-field communication (NFC) technology compatible with iOS and Android platforms.
Li-Ion	Li-ion battery
	Never use the battery as a striking tool.
	Do not drop the battery. Never use a battery that has suffered an impact or is damaged in any other way.
	Hilti Li-ion battery type series used. Observe the information given in the section headed Intended use .
	If applied on the product, the product has been certified by this certification body for the US and Canadian markets according to the applicable standards.

1.3.2 Warning symbols

Warning symbols warn of dangers.

	Keep hands away from saw blade
--	--------------------------------

1.3.3 Command symbols

Command symbols indicate binding actions.

	Always work with both hands.
	Wear eye protection

1.4 Product information

products are designed for professional users and only trained, authorized personnel are permitted to operate, service and maintain the products. This personnel must be specifically informed about the possible hazards. The product and its ancillary equipment can present hazards if used incorrectly by untrained personnel or if used not in accordance with the intended use.

The type designation and serial number are printed on the rating plate.



- ▶ Write down the serial number in the table below. You will be required to state the product details when contacting Hilti Service or your local Hilti organization to inquire about the product.

Product information

Rebar flush cutter	NRC 6-22
Generation	01
Serial no.	

2 Safety

2.1 General power tool safety warnings

⚠ WARNING Read all safety warnings, instructions, illustrations and specifications provided with this power tool. Failure to follow all instructions listed below may result in electric shock, fire and/or serious injury. **Save all warnings and instructions for future reference.**

The term "power tool" in the warnings refers to your mains-operated (corded) power tool or battery-operated (cordless) power tool.

Work area safety

- ▶ **Keep work area clean and well lit.** Cluttered or dark areas invite accidents.
- ▶ **Do not operate power tools in explosive atmospheres, such as in the presence of flammable liquids, gases or dust.** Power tools create sparks which may ignite the dust or fumes.
- ▶ **Keep children and bystanders away while operating a power tool.** Distractions can cause you to lose control.

Electrical safety

- ▶ **Power tool plugs must match the outlet. Never modify the plug in any way. Do not use any adapter plugs with earthed (grounded) power tools.** Unmodified plugs and matching outlets will reduce risk of electric shock.
- ▶ **Avoid body contact with earthed or grounded surfaces, such as pipes, radiators, ranges and refrigerators.** There is an increased risk of electric shock if your body is earthed or grounded.
- ▶ **Do not expose power tools to rain or wet conditions.** Water entering a power tool will increase the risk of electric shock.
- ▶ **Do not abuse the cord. Never use the cord for carrying, pulling or unplugging the power tool. Keep cord away from heat, oil, sharp edges or moving parts.** Damaged or entangled cords increase the risk of electric shock.
- ▶ **When operating a power tool outdoors, use an extension cord suitable for outdoor use.** Use of a cord suitable for outdoor use reduces the risk of electric shock.
- ▶ **If operating a power tool in a damp location is unavoidable, use a residual current device (RCD) protected supply.** Use of an RCD reduces the risk of electric shock.

Personal safety

- ▶ **Stay alert, watch what you are doing and use common sense when operating a power tool. Do not use a power tool while you are tired or under the influence of drugs, alcohol or medication.** A moment of inattention while operating power tools may result in serious personal injury.
- ▶ **Use personal protective equipment. Always wear eye protection.** Protective equipment such as a dust mask, non-skid safety shoes, hard hat or hearing protection used for appropriate conditions will reduce personal injuries.
- ▶ **Prevent unintentional starting. Ensure the switch is in the off-position before connecting to power source and/or battery pack, picking up or carrying the tool.** Carrying power tools with your finger on the switch or energising power tools that have the switch on invites accidents.
- ▶ **Remove any adjusting key or wrench before turning the power tool on.** A wrench or a key left attached to a rotating part of the power tool may result in personal injury.
- ▶ **Do not overreach. Keep proper footing and balance at all times.** This enables better control of the power tool in unexpected situations.
- ▶ **Dress properly. Do not wear loose clothing or jewellery. Keep your hair and clothing away from moving parts.** Loose clothes, jewellery or long hair can be caught in moving parts.
- ▶ **If devices are provided for the connection of dust extraction and collection facilities, ensure these are connected and properly used.** Use of dust collection can reduce dust-related hazards.
- ▶ **Do not let familiarity gained from frequent use of tools allow you to become complacent and ignore tool safety principles.** A careless action can cause severe injury within a fraction of a second.



Power tool use and care

- ▶ **Do not force the power tool. Use the correct power tool for your application.** The correct power tool will do the job better and safer at the rate for which it was designed.
- ▶ **Do not use the power tool if the switch does not turn it on and off.** Any power tool that cannot be controlled with the switch is dangerous and must be repaired.
- ▶ **Disconnect the plug from the power source and/or remove the battery pack, if detachable, from the power tool before making any adjustments, changing accessories, or storing power tools.** Such preventive safety measures reduce the risk of starting the power tool accidentally.
- ▶ **Store idle power tools out of the reach of children and do not allow persons unfamiliar with the power tool or these instructions to operate the power tool.** Power tools are dangerous in the hands of untrained users.
- ▶ **Maintain power tools and accessories. Check for misalignment or binding of moving parts, breakage of parts and any other condition that may affect the power tool's operation. If damaged, have the power tool repaired before use.** Many accidents are caused by poorly maintained power tools.
- ▶ **Keep cutting tools sharp and clean.** Properly maintained cutting tools with sharp cutting edges are less likely to bind and are easier to control.
- ▶ **Use the power tool, accessories and tool bits etc. in accordance with these instructions, taking into account the working conditions and the work to be performed.** Use of the power tool for operations different from those intended could result in a hazardous situation.
- ▶ **Keep handles and grasping surfaces dry, clean and free from oil and grease.** Slippery handles and grasping surfaces do not allow for safe handling and control of the tool in unexpected situations.

Battery tool use and care

- ▶ **Recharge only with the charger specified by the manufacturer.** A charger that is suitable for one type of battery pack may create a risk of fire when used with another battery pack.
- ▶ **Use power tools only with specifically designated battery packs.** Use of any other battery packs may create a risk of injury and fire.
- ▶ **When battery pack is not in use, keep it away from other metal objects, like paper clips, coins, keys, nails, screws or other small metal objects, that can make a connection from one terminal to another.** Shorting the battery terminals together may cause burns or a fire.
- ▶ **Under abusive conditions, liquid may be ejected from the battery; avoid contact. If contact accidentally occurs, flush with water. If liquid contacts eyes, additionally seek medical help.** Liquid ejected from the battery may cause irritation or burns.
- ▶ **Do not use a battery pack or tool that is damaged or modified.** Damaged or modified batteries may exhibit unpredictable behaviour resulting in fire, explosion or risk of injury.
- ▶ **Do not expose a battery pack or tool to fire or excessive temperature.** Exposure to fire or temperature above 130° C (265 °F) may cause explosion.
- ▶ **Follow all charging instructions and do not charge the battery pack or tool outside the temperature range specified in the instructions.** Charging improperly or at temperatures outside the specified range may damage the battery and increase the risk of fire.

Service

- ▶ **Have your power tool serviced by a qualified repair person using only identical replacement parts.** This will ensure that the safety of the power tool is maintained.
- ▶ **Never service damaged battery packs.** Service of battery packs should only be performed by the manufacturer or authorized service providers.

2.2 Additional safety instructions**Personal safety**

- ▶ Never tamper with or modify the product or accessories in any way.
- ▶ Always hold the product with both hands on the grips provided. Keep the grips dry, clean and free from oil and grease.
- ▶ Take frequent breaks and do physical exercises to improve the blood circulation in your fingers. High vibration during long periods of work can lead to disorders of the blood vessels and nervous system in the fingers, hands and wrists.
- ▶ The product is not intended for use by debilitated persons who have received no special training. Keep the product out of reach of children.



- ▶ Dust produced by grinding, sanding, cutting and drilling can contain dangerous chemicals. Some examples are: lead or lead-based paints; brick, concrete and other masonry products, natural stone and other products containing silicates; certain types of wood, such as oak, beech and chemically treated wood; asbestos or materials that contain asbestos. Determine the exposure of the operator and bystanders by means of the hazard classification of the materials to be worked. Implement the necessary measures to restrict exposure to a safe level, for example by the use of a dust collection system or by the wearing of suitable respiratory protection. The general measures for reducing exposure include:
 - ▶ working in an area that is well ventilated,
 - ▶ avoidance of prolonged contact with dust,
 - ▶ directing dust away from the face and body,
 - ▶ wearing protective clothing and washing exposed areas of the skin with water and soap.
- ▶ The user and the other persons in the vicinity must wear eye protection, a hard hat, ear protection and breathing protection while the product is in use.
- ▶ Risk of injury by falling tools and/or accessories. Before starting work, check that the battery and installed accessories are secure.
- ▶ Keep the air vents clear at all times. Risk of burn injuries due to blocked air vents!
- ▶ Switch the product on only after you have brought it to the working position.
- ▶ Wait until the product stops completely before you lay it down.
- ▶ Do not attach a belt hook to this product.
- ▶ Do not touch the metal head while the product is running because the head is hot.
- ▶ Do not touch the hot cut area after cutting the material.
- ▶ The saw blade or other metal parts can be hot or have sharp edges. Wear protective gloves when changing the saw blade, cleaning the chip collection bag, and cleaning the vents.
- ▶ Do not hold the workpiece by hand, but use a vise or similar to prevent it from moving during cutting. If the workpiece moves or vibrates, the operation becomes unstable and cannot be controlled. Stop the operation immediately and secure the workpiece correctly, otherwise the blade will be damaged and serious injury can result.
- ▶ Secure the workpiece to prevent the off-cut from falling and causing injury.
- ▶ Metal chips and sparks from the cutting operation can damage the surroundings or cause a fire. Hot metal chips can melt the material of the chip collection bag. Do not operate the product near flammable or fragile items.
- ▶ When working at height, it is recommended to install the chip collection bag. Hot chips can fly out and fall, burning the operators and bystanders.
- ▶ Do not use a damaged chip collection bag. Fragments of the saw blade or sawdust could fall out of the chip collection bag and cause injuries.
- ▶ When working at height, make sure there is no-one below. Off-cuts, material or products dropped could cause an accident.
- ▶ Make sure no abnormal sounds or vibrations occur during operation. Operation when abnormal sounds or vibrations are perceptible can damage the blade, resulting in serious injury.
- ▶ Metal chips are sharp and can cause injuries. Wear snug-fitting clothing to prevent chips from getting inside gloves, shoes, or elsewhere.

Kickback - causes and safety instructions

- Kickback is the sudden reaction occurring when the saw blade snags, jams or is out of alignment, causing uncontrolled movement of the power tool away from the workpiece and toward the operator.
- If the saw blade snags or jams in the kerf, it binds and motor force drives the power tool back toward the operator.
- If the saw blade twists or is out of alignment in the kerf, the teeth at the trailing edge of the saw blade can snag in the surface of the workpiece, flicking the saw blade out of the kerf and driving the power tool back toward the operator.

Kickback is the result of power tool misuse and/or incorrect operating procedures or conditions. It can be avoided by taking the proper precautions as described below.

- ▶ Hold the power tool firmly, with your arms into a position where you can absorb the kickback forces. Always position yourself off to one side of the saw blade; never bring the blade into line with your body. In the event of a kickback, the power tool can jump backwards, but the operator can control the kickback forces by taking appropriate precautions.
- ▶ If the saw blade jams and when you interrupt the operation, switch off the power tool and hold it with the saw blade in the material until the saw blade has come to a standstill. Never attempt to remove the power tool from the workpiece or pull it back while the saw blade is in motion, because kickback can occur. Investigate and take corrective action to eliminate the cause of the blade binding.



- ▶ To restart a power tool that is stuck in the workpiece, center the saw blade in the kerf and make sure that no teeth are snagged in the workpiece. If the saw blade is jammed it can flick out of the kerf or cause kickback when the power tool is restarted.
- ▶ Support large rebar to reduce the risk of kickback from a jammed saw blade. Large rebar can bend under its own weight.
- ▶ Do not use a dulled or damaged saw blade. A saw blade with dulled or misaligned teeth causes increased friction, binding of the saw blade and kickback due to a narrow kerf.

Power tool use and care

- ▶ Never use the product without the blade cover.
- ▶ Tighten the insert tool and clamping flange securely. If the insert tool and clamping flange are not tightened securely, the insert tool can work loose from the arbor due to the braking effect of the motor as it slows down after being switched off.
- ▶ Match the forward pressure of the product to the saw blade and the workpiece. In this way you prevent the saw blade from stalling and possibly causing kickback.
- ▶ Start cutting only after the product has reached maximum speed. Touching the saw blade to the workpiece before starting the motor overloads and damages the saw blade, possibly resulting in serious injury.
- ▶ Do not cut material that in size exceeds the cutting capacity of the product.
- ▶ Make sure the saw blade is not deformed, chipped, cracked or worn out. Do not use a saw blade that exhibits damage or wear. Cutting under such conditions can cause further damage to the blade, chip collection bag with the adapter, and even result in serious injury.
- ▶ Use only saw blades approved for the product that correspond to the specifications in the technical data. Using the saw blade for other applications can cause excessive wear, detachment of the blade, low cutting performance and abnormal generation of heat, resulting in damage to the saw blade and serious injury.
- ▶ Do not use the product to cut material that is not specified in Intended Use → page 7.

Electrical safety

- ▶ Before beginning work, check the working area for concealed electric cables or gas and water pipes. External metal parts of the product could give you an electric shock or an explosion could result if you accidentally damage an electric cable or a gas or water pipe.
- ▶ Dirty or dusty products that have been used frequently for work on conductive materials should be checked at regular intervals by **Hilti** Service. Dust (especially dust from conductive materials) or dampness adhering to the surface of the power tool may, under unfavorable conditions, lead to electric shock.

Workplace

- ▶ Slits cut in load-bearing walls of buildings or other structures may influence the statics of the structure, especially when steel reinforcing bars or load-bearing components are cut through. Consult the responsible structural engineer, architect or person in charge of the building project before starting work.

2.3 Careful handling and use of batteries

- ▶ **Comply with the following safety instructions for the safe handling and use of Li-ion batteries.** Failure to comply can lead to skin irritation, severe corrosive injury, chemical burns, fire and/or explosion.
- ▶ Use only batteries that are in perfect working order.
- ▶ Treat batteries with care in order to avoid damage and prevent leakage of fluids that are extremely harmful to health!
- ▶ Do not under any circumstances modify or tamper with batteries!
- ▶ Do not disassemble, crush or incinerate batteries and do not subject them to temperatures over 80 °C (176 °F).
- ▶ Never use or charge a battery that has suffered an impact or been damaged in any other way. Check your batteries regularly for signs of damage.
- ▶ Never use recycled or repaired batteries.
- ▶ Never use the battery or a battery-operated power tool as a striking tool.
- ▶ Never expose batteries to the direct rays of the sun, elevated temperature, sparking, or open flame. This can lead to explosions.
- ▶ Do not touch the battery poles with your fingers, tools, jewelry, or other electrically conductive objects. This can damage the battery and also cause material damage and personal injury.
- ▶ Keep batteries away from rain, moisture and liquids. Penetrating moisture can cause short circuits, electric shock, burns, fire and explosions.



- ▶ Use only chargers and power tools approved for the specific battery type. Read and follow the relevant operating instructions.
- ▶ Do not use or store the battery in explosive environments.
- ▶ If the battery is too hot to touch, it may be defective. Put the battery in a place where it is clearly visible and where there is no risk of fire, at an adequate distance from flammable materials. Allow the battery to cool down. If it is still too hot to touch after an hour, the battery is faulty. Consult **Hilti** Service or read the document entitled "Instructions on safety and use for **Hilti** Li-ion batteries".

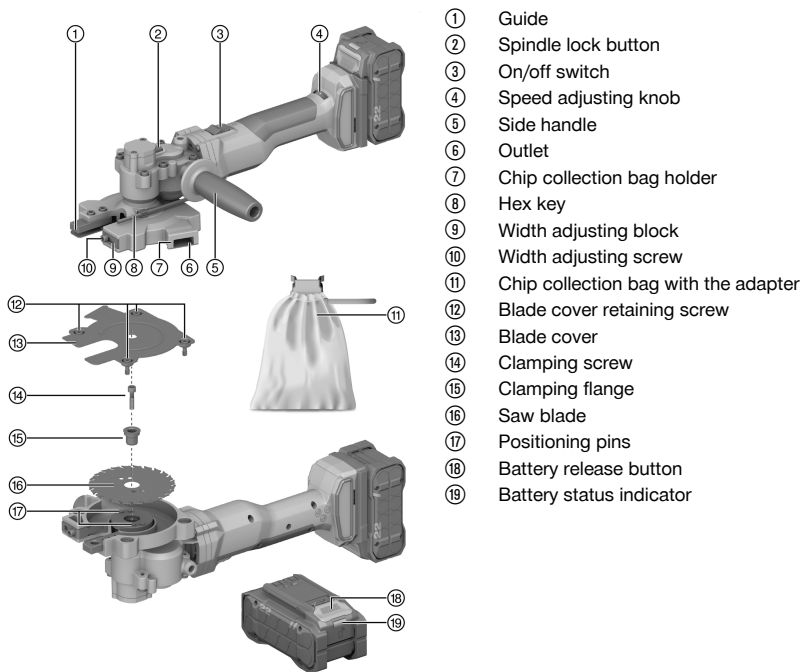


Observe the special guidelines applicable to the transport, storage and use of lithium-ion batteries.
→ page 13

Read the instructions on safety and use of **Hilti** Li-ion batteries that you can access by scanning the QR code at the end of these operating instructions.

3 Description

3.1 Product overview



3.2 Intended use

The product described is a cordless rebar flush cutter. It is intended for flush cutting or free cutting rebars, mild steel threaded rods, galvanized mild steel threaded rods and stainless steel threaded rods used in the construction industry.

- For this product, use only **Hilti** Nuron lithium-ion batteries of the B 22 series. For optimum performance, **Hilti** recommends the batteries stated in the table at the end of these operating instructions for this product.
- For these batteries, use only **Hilti** chargers of the type series stated in the table at the end of these operating instructions.



3.3 Items supplied

Rebar flush cutter, side handle, saw blade, blade cover, hex key, chip collection bag, operating instructions
 Other system products approved for use with this product can be found at your local **Hilti Store** or at: www.hilti.group

3.4 Motor protection function

The motor protection function monitors current consumption and motor temperature and prevents the product from overheating.

If the motor is overloaded through application of excessive working pressure, the product's performance drops noticeably or it might stall completely.



If the power tool stalls or slows significantly due to overloading, relieve the pressure applied to the product and then allow it to run under no load for approx. 30 seconds.

3.5 Status indicators of the Li-ion battery

Hilti Nuron Li-ion batteries can indicate state of charge, fault messages and the battery's state of health.

3.5.1 Indicators for state of charge and fault messages



WARNING

Risk of injury by a falling battery!

- If the release button is pressed with a battery inserted in the product, subsequently check that the battery is correctly re-engaged and secure.

Short-press the release button of the battery to get whichever of the following status indications is applicable at the time.

State of charge and, if applicable, faults are indicated constantly as long as the connected product is switched on.

Status	Meaning
Four (4) LEDs show constantly green	State of charge: 100 % to 71 %
Three (3) LEDs show constantly green	State of charge: 70 % to 51 %
Two (2) LEDs show constantly green	State of charge: 50 % to 26 %
One (1) LED shows constantly green	State of charge: 25 % to 10 %
One (1) LED slow-flashes green	State of charge: < 10 %
One (1) LED quick-flashes green	The Li-ion battery is completely discharged. Recharge the battery. If the LED again starts quick-flashing after the battery has been charged, consult Hilti Service .
One (1) LED quick-flashes yellow	The Li-ion battery or the product in which it is inserted is overloaded, too hot or too cold, or experiencing some other fault. Bring the product and the battery to the recommended working temperature and do not overload the product when it is in use. If the message persists, consult Hilti Service .
One (1) LED shows yellow	The Li-ion battery and the product in which it is inserted are not compatible. Consult Hilti Service .
One (1) LED quick-flashes red	The Li-ion battery is locked and cannot be used. Consult Hilti Service .

3.5.2 Indicators showing the battery's state of health

To check the battery's state of health, press the release button and hold it down for longer than three seconds. The system does not detect a potential malfunction of the battery due to misuse, for example battery dropped or pierced, external heat damage, etc.



Status	Meaning
All LEDs show in sequence, followed by one (1) LED showing constantly green.	The battery can remain in use.
All LEDs show in sequence, followed by one (1) LED quick-flashing yellow.	The check to ascertain the battery's state of health did not complete. Repeat the procedure, or consult Hilti Service .
All LEDs show in sequence, followed by one (1) LED showing constantly red.	If a connected product can still be used, the remaining battery capacity is below 50 %. If a connected product can no longer be used, the battery has reached the end of its useful life and has to be replaced. Consult Hilti Service .

4 Technical data

4.1 Product information

Rated voltage	21.6 V	
Weight	3.4 kg (7.50 lb) (without battery)	
Dimensions	490 mm × 142 mm × 156 mm (19.29 in × 5.59 in × 6.14 in)	
Rebar cutting capacity	10 mm ... 25 mm (0.39 in ... 0.98 in)	
No-load speed	Setting 1	1,000 /min
	Setting 2	1,200 /min
	Setting 3	1,400 /min
	Setting 4	1,600 /min
	Setting 5	1,800 /min
	Setting 6	2,200 /min
Saw blade diameter	110 mm (4.33 in)	
Ambient temperature for operation	-17 °C ... 60 °C (1.4 °F ... 140.0 °F)	
Storage temperature	-20 °C ... 70 °C (-4.0 °F ... 158.0 °F)	

4.2 Battery

Battery operating voltage	21.6 V
Weight, battery	See the end of these operating instructions
Ambient temperature for operation	-17 °C ... 60 °C (1.4 °F ... 140.0 °F)
Storage temperature	-20 °C ... 40 °C (-4.0 °F ... 104.0 °F)
Battery charging starting temperature	-10 °C ... 45 °C (14.0 °F ... 113.0 °F)



5 Preparations at the workplace

WARNING

Risk of injury by inadvertent starting!

- ▶ Before inserting the battery, make sure that the product is switched off.
 - ▶ Remove the battery before making any adjustments to the power tool or before changing accessories.
-

Observe the safety instructions and warnings in this documentation and on the product.

5.1 Charging the battery

1. Before charging the battery, read the operating instructions for the charger.
2. Make sure that the contacts on the battery and the contacts on the charger are clean and dry.
3. Use an approved charger to charge the battery. → page 7

5.2 Inserting the battery

WARNING

Risk of injury by short circuit or falling battery!

- ▶ Before inserting the battery, make sure that the contacts on the battery and the contacts on the product are free of foreign matter.
 - ▶ Make sure that the battery always engages correctly.
-

1. Charge the battery fully before using it for the first time.
2. Push the battery into the product until it engages with an audible click.
3. Check that the battery is seated securely.

5.3 Removing the battery

1. Press the battery release button.
2. Remove the battery from the product.

5.4 Removing saw blade

WARNING

Risk of burns and cut injuries at saw blade, clamping screw and clamping flange The consequences can be burns and cut injuries.

- ▶ Wear protective gloves when changing the saw blade.
-

1. Use the hex key to remove the 4 retaining screws from the blade cover.
2. Insert the hex key into the clamping screw retaining the clamping flange.
3. Push in the spindle lock button and using the hex key as a handle, rotate the saw blade until it is prevented from further rotation by the lock button.
4. With the saw blade locked, turn the hex key counter-clockwise to loosen the clamping screw and remove the clamping screw.
5. Remove the clamping flange and the saw blade.

5.5 Replacing saw blade

Make sure that the **Hilti** NRC Xcut 110/4.3" saw blade is used. Use only saw blades that are in perfect condition.

1. Fit the saw blade on to the output shaft. Make sure that the four positioning pins in the output shaft engage the holes in the saw blade.
-



Check the saw blade teeth and machine settings and the direction of rotation. Do not use a saw blade with teeth reduced to less than 1 mm.

2. Insert the new clamping flange.
3. Insert the new clamping screw.



4. Push in the spindle lock button completely and tighten the screw with the hex key.



Ensure that the spindle lock button is completely pushed in. If not, the saw blade can rotate and cause injury.

5. Insert the new blade cover with 4 retaining screws and tighten the screws with the hex key.

5.6 Fall arrest



WARNING

Risk of injury by falling tool and/or accessory!

- ▶ Use only the **Hilti** tool tether recommended for your product.
- ▶ Prior to each use, always check the attachment point of the tool tether for possible damage.



Comply with the national regulations for working at heights.

As drop arrester for this product, use only a combination of the **Hilti** retaining strap #2293133 and the **Hilti** tool tether #2261970.

- ▶ Secure the retaining strap to the installation openings for accessories. Check that it holds securely.
- ▶ Secure one carabiner of the tool tether to the retaining strap and secure the second carabiner to a load-bearing structure. Check that both carabiners hold securely.



Comply with the operating instructions of the **Hilti** retaining strap and those of the **Hilti** tool tether.

5.7 Installing or removing the chip collection bag

1. To install, push the adapter of the chip collection bag on to the chip collection bag holder until it engages with an audible click.
2. To remove, open both clamps on the adapter of the chip collection bag slightly outwards.

5.8 Installing side handle

- ▶ Screw the side handle into one of the threaded holes.

5.9 Adjusting opening width

1. Loosen the width adjusting screw.
2. Move the width adjusting block left or right to obtain the desired opening width.

6 Operation

Observe the safety instructions and warnings in this documentation and on the product.

6.1 Switching on



CAUTION

Risk of injury Loss of control over the product.

- ▶ Before operating the product, check that the side handle, clamping flange, blade cover and the screws retaining the saw blade cover and all other screws are secure.

1. Press the rear section of the on/off switch.
2. Slide the on/off switch forward.
 - ▶ The motor runs.
3. Lock the on/off switch.



6.2 Cutting rebar 4

WARNING

Risk of injury Incorrect placement or cutting speed can cause serious injury and damage to the motor's electronics.

- ▶ When cutting, slow down the forward (cutting) movement both at the start and approaching the end of the cut.
- ▶ Hold the product firmly so that it does not vibrate when cutting.
- ▶ Do not start cutting immediately after the motor is switched on. Allow the saw blade to reach full speed before starting the cut.
- ▶ Do not touch the rotating parts as they can cause serious injury.
- ▶ Do not cut rebar with a diameter of less than 4 mm.
- ▶ Do not cut rebar less than 10 mm in length, as the off-cut can stick between the saw blade and the cover which can cause damage and possibly serious injury.

1. Check that the switch is at the **O** position **(1)**.
2. Choose the most suitable setting for the intended cut **(2)**.



Select setting 6 for highest cutting speed. Select a lower setting to reduce sparking.

3. Switch on the product. → page 11
4. Fit the rebar tightly against the guide. Slowly ease the product forward to start cutting the rebar **(4)**.
5. After finishing the cut, switch off the product. → page 12

6.3 Switching off

- ▶ Press the rear section of the on/off switch.
 - ▶ The on/off switch jumps into the off position and the motor stops.

7 Care and maintenance

WARNING

Risk of injury with battery inserted !

- ▶ Always remove the battery before carrying out care and maintenance tasks!

Care of the product

- Carefully remove stubborn dirt.
- Carefully clean the air vents, if present, with a dry, soft brush.
- Use only a slightly damp cloth to clean the housing. Do not use cleaning agents containing silicone as these can attack the plastic parts.
- Use a dry, clean cloth to clean the contacts of the product.

Care of the Li-ion batteries

- Never use a battery with clogged air vents. Clean the air vents carefully using a dry, soft brush.
- Avoid unnecessary exposure of the battery to dust and dirt. Never expose the battery to high levels of moisture (e.g. by being dipped in water or left in the rain).
If a battery has been soaked by moisture, treat it as a damaged battery. Isolate it in a non-flammable container and consult **Hilti Service**.
- Keep the battery free of extraneous oil and grease. Do not permit dust or dirt to accumulate unnecessarily on the battery. Clean the battery with a dry, soft brush or a clean, dry cloth. Do not use cleaning agents containing silicone as these can attack the plastic parts.
Do not touch the contacts of the battery and do not remove the factory-applied grease from the contacts.
- Use only a slightly damp cloth to clean the housing. Do not use cleaning agents containing silicone as these can attack the plastic parts.



Maintenance

WARNING

Danger of electric shock! Improper repairs to electrical components may lead to serious injuries including burns.

- ▶ Repairs to the electrical section of the tool or appliance may be carried out only by trained electrical specialists.
-
- Check all visible parts and controls for signs of damage at regular intervals and make sure that they all function correctly.
 - Do not use the product if signs of damage are found or if parts malfunction. Immediately have the product repaired by **Hilti Service**.
 - After cleaning and maintenance, install all guards and protective devices and check that they are in full working order.



To help ensure safe and reliable operation, use only genuine Hilti spare parts, consumables and accessories. Spare parts, consumables and accessories approved by **Hilti** for use with your product can be found at your **Hilti Store** or online at: www.hilti.group

8 Transport and storage

Transport of cordless power tools and batteries

CAUTION

Accidental starting during transport !

- ▶ Always transport your products with the batteries removed!
-
- ▶ Remove the battery/batteries.
 - ▶ Never transport batteries loose and unprotected. During transport, batteries should be protected from excessive shock and vibration and isolated from any conductive materials or other batteries that may come in contact with the terminals and cause a short circuit. **Comply with the locally applicable regulations for transporting batteries.**
 - ▶ Do not send batteries through the mail. Consult your shipper for instructions on how to ship undamaged batteries.
 - ▶ Prior to each use and before and after prolonged transport, check the product and the batteries for damage.

Storage of cordless power tools and batteries

WARNING

Accidental damage caused by defective or leaking batteries !

- ▶ Always store your products with the batteries removed!
-
- ▶ Store the product and the batteries in a cool and dry place. Comply with the temperature limits stated in the technical data.
 - ▶ Do not store batteries on the charger. Always remove the battery from the charger when the charging operation has completed.
 - ▶ Never leave batteries in direct sunlight, on sources of heat, or behind glass.
 - ▶ Store the product and batteries where they cannot be accessed by children or unauthorized persons.
 - ▶ Prior to each use and before and after prolonged storage, check the product and the batteries for damage.

9 Troubleshooting

If a problem occurs, always observe the status indicator of the battery. See the section headed **Status indicators of the Li-ion battery** → page 8.

If the trouble you are experiencing is not listed in this table or you are unable to rectify the problem by yourself, contact **Hilti Service**.

Trouble or fault	Possible cause	Action to be taken
The product cannot be switched on.	Battery is discharged.	▶ Change the battery and charge the empty battery.



Trouble or fault	Possible cause	Action to be taken
The battery runs down more quickly than usual.	Very low ambient temperature.	▶ Allow the battery to warm up slowly to room temperature.
The battery does not engage with an audible click.	The retaining lug on the battery is dirty.	▶ Clean the retaining lug and re-insert the battery.
The motor has no braking effect.	Battery is discharged.	▶ Change the battery and charge the empty battery.
	Product is momentarily overloaded.	▶ Switch the product off and then on again.

10 Disposal

WARNING

Risk of injury due to incorrect disposal! Health hazards due to escaping gases or liquids.

- ▶ DO NOT send batteries through the mail!
- ▶ Cover the terminals with a non-conductive material (such as electrical tape) to prevent short circuiting.
- ▶ Dispose of your battery out of the reach of children.
- ▶ Dispose of the battery at your **Hilti Store**, or consult your local governmental garbage disposal or public health and safety resources for disposal instructions.

Most of the materials from which **Hilti** products are manufactured can be recycled. The materials must be correctly separated before they can be recycled. In many countries, your old tools, machines or appliances can be returned to **Hilti** for recycling. Ask **Hilti Service** or your Hilti sales representative for further information.



- ▶ Do not dispose of power tools, electronic equipment or batteries as household waste!

11 Manufacturer's warranty

- ▶ Please contact your local **Hilti** representative if you have questions about the warranty conditions.

12 Further information

For more information on operation, technology, environment and recycling, follow this link: qr.hilti.com/manual/?id=2412811

This link is also to be found at the end of the documentation, in the form of a QR code.

Notice d'utilisation originale

1 Indications relatives au mode d'emploi

1.1 À propos de ce mode d'emploi

- **Avertissement !** Il convient de lire et comprendre toute la documentation jointe, y compris, sans s'y limiter, les instructions, avertissements de sécurité, illustration et spécifications fournies avec le présent produit. Prenez connaissance de toutes les instructions, avertissements de sécurité, illustrations, spécifications et fonctions du produit avant de l'utiliser. Tout manquement à cette obligation peut entraîner un choc électrique, un incendie, et/ou des blessures graves. Conservez l'ensemble des avertissements et instructions pour consultation ultérieure.
- Les produits sont destinés aux professionnels et ne doivent être utilisés, entretenus et réparés que par un personnel autorisé et formé. Ce personnel doit être spécialement instruit quant aux dangers inhérents à l'utilisation de l'appareil. Le produit et ses accessoires peuvent s'avérer dangereux s'ils sont utilisés de manière incorrecte par un personnel non qualifié ou de manière non conforme à l'usage prévu.
- La documentation ci-jointe correspond à l'état actuel de la technique à la date d'impression. Veuillez toujours consulter la dernière version sur la page du produit sur le site Internet de Hilti. Pour ce faire, suivez le lien ou scannez le code QR dans la documentation, indiqué par le symbole .



- Ne pas prêter ou céder le produit à un autre utilisateur sans lui fournir le présent mode d'emploi.

1.2 Explication des symboles

1.2.1 Avertissements

Les avertissements attirent l'attention sur des dangers liés à l'utilisation du produit. Les termes de signalisation suivants sont utilisés :

 **DANGER**

DANGER !

- ▶ Pour un danger imminent qui peut entraîner de graves blessures corporelles ou la mort.

 **AVERTISSEMENT**

AVERTISSEMENT !

- ▶ Pour un danger potentiel qui peut entraîner de graves blessures corporelles ou la mort.







 **ATTENTION**

ATTENTION !

- ▶ Pour une situation potentiellement dangereuse pouvant entraîner des blessures corporelles ou des dégâts matériels.





1.2.2 Symboles dans le manuel d'utilisation

Les symboles suivants sont utilisés dans le présent manuel d'utilisation :

	Respecter le manuel d'utilisation
	Pour des conseils d'utilisation et autres informations utiles
	Maniement des matériaux recyclables
	Ne pas jeter les appareils électriques et les accus dans les ordures ménagères
	Hilti Accu Li-Ion
	Hilti Chargeur

1.2.3 Symboles dans les illustrations

Les symboles suivants sont utilisés dans les illustrations :

	Ces chiffres renvoient à l'illustration correspondante au début du présent manuel d'utilisation.
	La numérotation dans les illustrations indique les étapes de travail importantes ou les composants importants pour les étapes de travail. Dans le texte, ces étapes de travail ou composants sont mis en évidence avec les numéros correspondants, par ex. (3) .
	Les numéros de position sont utilisés dans l'illustration Vue d'ensemble et renvoient aux numéros des légendes dans la section Vue d'ensemble du produit .
	Ce signe doit inviter à manier le produit en faisant particulièrement attention.

1.3 Symboles sur le produit

1.3.1 Symboles généraux

Les symboles suivants peuvent être utilisés sur le produit :

n_0	Vitesse de rotation à vide
/min	Tours par minute



RPM	Tours par minute
	Diamètre
	Lame de scie
	Courant continu
	Le produit prend en charge la technologie NFC qui est compatible avec les plates-formes iOS et Android.
Li-Ion	Accu li-ions
	Ne jamais utiliser l'accu comme outil de percussion.
	Ne pas laisser tomber l'accu. Ne pas utiliser d'accu ayant subi un choc ou d'autres dommages.
	Série de type d'accu Li-Ion Hilti utilisée. Observer les instructions au chapitre Utilisation conforme à l'usage prévu .
	Si présent sur le produit, c'est que le produit a été certifié conformément aux normes en vigueur par cet organisme de certification pour le marché nord-américain et canadien.

1.3.2 Symboles d'avertissement

Les symboles d'avertissement attirent l'attention sur des dangers.

	Ne pas toucher la lame de scie avec les mains
--	---

1.3.3 Symboles d'obligation

Les symboles d'obligation indiquent des mesures obligatoires.

	Toujours travailler avec les deux mains.
	Porter des lunettes de protection

1.4 Informations produit

Les produits sont destinés aux professionnels et ne doivent être utilisés, entretenus et réparés que par un personnel autorisé et formé. Ce personnel doit être spécialement instruit quant aux dangers inhérents à l'utilisation de l'appareil. Le produit et ses accessoires peuvent s'avérer dangereux s'ils sont utilisés de manière incorrecte par un personnel non qualifié ou de manière non conforme à l'usage prévu.

La désignation du modèle et le numéro de série figurent sur sa plaque signalétique.

- Inscrivez le numéro de série dans le tableau suivant. Les informations produit vous seront demandées lorsque vous contactez nos revendeurs ou services après-vente.

Caractéristiques produit

Coupeuse de fers d'armature	NRC 6-22
Génération	01
N° de série	

2 Sécurité

2.1 Indications générales de sécurité pour les appareils électriques

⚠ AVERTISSEMENT Lire toutes les consignes de sécurité et instructions, illustrations et caractéristiques techniques, qui accompagnent cet outil électroportatif. Tout manquement à l'observation des instructions suivantes risque de provoquer une électrocution, un incendie et/ou de graves blessures.

Les consignes de sécurité et instructions doivent être intégralement conservées pour les utilisations futures.



La notion d'« outil électroportatif » mentionnée dans les consignes de sécurité se rapporte à des outils électriques raccordés au secteur (avec câble d'alimentation) et à des outils électriques sur accu (sans câble d'alimentation).

Sécurité sur le lieu de travail

- ▶ **Conserv**er la zone de travail propre et bien éclairée. Un lieu de travail en désordre ou mal éclairé augmente le risque d'accidents.
- ▶ **Ne pas faire fonctionner les outils électriques en atmosphère explosive et où se trouvent des liquides, des gaz ou poussières inflammables.** Les outils électriques produisent des étincelles qui peuvent enflammer les poussières ou les fumées.
- ▶ **Maintenir les enfants et les personnes présentes à l'écart pendant l'utilisation de l'outil électroportatif.** En cas d'inattention il y a risque de perdre le contrôle de l'appareil.

Sécurité relative au système électrique

- ▶ **La fiche de secteur de l'outil électroportatif doit être adaptée à la prise de courant. Ne jamais modifier la fiche de quelque façon que ce soit. Ne pas utiliser d'adaptateurs avec des outils électriques à branchement de terre.** Des fiches non modifiées et des prises de courant adaptées réduiront le risque de choc électrique.
- ▶ **Éviter le contact physique avec des surfaces mises à la terre tels que tuyaux, radiateurs, cuisinières et réfrigérateurs.** Il y a un risque élevé de choc électrique au cas où votre corps serait relié à la terre.
- ▶ **Ne pas exposer les outils électroportatifs à la pluie ou à l'humidité.** La pénétration d'eau à l'intérieur d'un outil électroportatif augmentera le risque d'un choc électrique.
- ▶ **Ne jamais utiliser le câble de raccordement à d'autres fins que celles prévues, telles que pour porter, accrocher ou débrancher l'outil électroportatif de la prise de courant. Maintenir le câble de raccordement à l'écart de la chaleur, des parties grasses, des bords tranchants ou des parties en mouvement.** Des câbles de raccordement endommagés ou emmêlés augmentent le risque de choc électrique.
- ▶ **Si l'outil électroportatif est utilisé à l'extérieur, utiliser uniquement des câbles de rallonge homologués pour les applications extérieures.** L'utilisation d'un câble de rallonge homologué pour les applications extérieures réduit le risque d'un choc électrique.
- ▶ **Si l'utilisation de l'outil électrique dans un environnement humide ne peut pas être évitée, utiliser un interrupteur de protection contre les courants de court-circuit.** L'utilisation d'un tel interrupteur de protection réduit le risque d'une décharge électrique.

Sécurité des personnes

- ▶ **Rester vigilant, surveiller ce que l'on fait. Faire preuve de bon sens en utilisant l'outil électroportatif. Ne pas utiliser l'outil électroportatif en étant fatigué ou sous l'emprise de l'alcool, de drogues ou de médicaments.** Un moment d'inattention lors de l'utilisation de l'outil électroportatif peut entraîner des blessures graves.
- ▶ **Utiliser un équipement de protection personnel et toujours porter une protection pour les yeux.** Les équipements de protection personnels tels que masque antipoussière, chaussures de sécurité antidérapantes, casque de protection ou protection acoustique suivant l'utilisation de l'outil électroportatif, réduiront le risque de blessures des personnes.
- ▶ **Éviter une mise en service par mégarde. S'assurer que l'outil électroportatif est arrêté avant de le brancher à la source de courant et/ou à l'accu, de le prendre ou de le porter.** Le fait de porter l'outil électroportatif avec le doigt sur l'interrupteur ou de brancher l'appareil sur la source de courant lorsque l'interrupteur est en position de fonctionnement peut entraîner des accidents.
- ▶ **Retirer tout outil de réglage ou toute clé avant de mettre l'outil électroportatif en fonctionnement.** Une clé ou un outil se trouvant sur une partie en rotation peut causer des blessures.
- ▶ **Adopter une bonne posture. Veiller à toujours garder une position stable et équilibrée.** Cela permet un meilleur contrôle de l'outil électroportatif dans des situations inattendues.
- ▶ **S'habiller de manière adaptée. Ne pas porter de vêtements amples ni de bijoux. Garder les cheveux, les vêtements et les gants à distance des parties en mouvement.** Des vêtements amples, des bijoux ou des cheveux longs peuvent être happés par des parties en mouvement.
- ▶ **Si des dispositifs servant à aspirer ou à recueillir les poussières doivent être utilisés, s'assurer qu'ils sont effectivement raccordés et correctement utilisés.** L'utilisation d'un dispositif d'aspiration de la poussière peut réduire les risques dus aux poussières.
- ▶ **Ne pas sous-estimer les mesures de sécurité à prendre et ne pas ignorer sciemment les règles de sécurité applicables aux outils électriques, même si l'on est utilisateur chevronné après de fréquentes utilisations de l'outil électroportatif.** Un manque d'attention peut conduire à de graves blessures en quelques fractions de seconde.



Utilisation et maniement de l'outil électroportatif

- ▶ **Ne pas forcer l'appareil. Utiliser l'outil électroportatif adapté au travail à effectuer.** Un outil électroportatif approprié réalisera mieux le travail et de manière plus sûre au régime pour lequel il a été conçu.
- ▶ **Ne pas utiliser d'outil électroportatif dont l'interrupteur est défectueux.** Tout outil électroportatif qui ne peut plus être mis en ou hors fonctionnement est dangereux et doit être réparé.
- ▶ **Débrancher la fiche de la prise de courant et/ou l'accu amovible avant d'effectuer des réglages sur l'appareil, de changer les accessoires, ou de ranger l'appareil.** Cette mesure de précaution empêche une mise en fonctionnement par mégarde de l'outil électroportatif.
- ▶ **Conserver les outils électroportatifs non utilisés hors de portée des enfants. Ne permettre l'utilisation de l'appareil à aucune personne qui ne soit pas familiarisée avec celui-ci ou qui n'a pas lu ces instructions.** Les outils électroportatifs sont dangereux lorsqu'ils sont entre les mains de personnes non initiées.
- ▶ **Prendre soin des outils électroportatifs et des accessoires. Vérifier que les parties en mouvement fonctionnent correctement et qu'elles ne sont pas coincées, et contrôler si des parties sont cassées ou endommagées de sorte que le bon fonctionnement de l'outil électroportatif s'en trouve entravé. Faire réparer les parties endommagées avant d'utiliser l'appareil.** De nombreux accidents sont dus à des outils électroportatifs mal entretenus.
- ▶ **Garder les outils de coupe affûtés et propres.** Des outils destinés à couper correctement entretenus avec des arêtes de coupe tranchantes sont moins susceptibles de bloquer et sont plus faciles à contrôler.
- ▶ **L'outil électroportatif, les accessoires, les outils amovibles, etc. doivent être utilisés conformément à ces instructions. Tenir également compte des conditions de travail et du travail à réaliser.** L'utilisation des outils électroportatifs à d'autres fins que celles prévues peut entraîner des situations dangereuses.
- ▶ **Veiller à ce que les poignées et surfaces de préhension soient toujours être sèches, propres et exemptes de traces de graisse ou d'huile.** Avec des poignées et surfaces de préhension glissantes, la sécurité et le contrôle de l'outil électroportatif ne peuvent être assurés dans des situations inopinées.

Utilisation et maniement de l'outil sur accu

- ▶ **Ne charger les accus que dans des chargeurs recommandés par le fabricant.** Si un chargeur approprié à un type spécifique d'accus est utilisé avec des accus non recommandés pour celui-ci, il y a risque d'incendie.
- ▶ **Dans les outils électroportatifs, utiliser uniquement les accus spécialement prévus pour ceux-ci.** L'utilisation de tout autre accu peut entraîner des blessures et des risques d'incendie.
- ▶ **Tenir l'accu non utilisé à l'écart de tous objets métalliques tels qu'agrafes, pièces de monnaie, clés, clous, vis ou autres, étant donné qu'un pontage peut provoquer un court-circuit.** Un court-circuit entre les contacts d'accu peut provoquer des brûlures ou un incendie.
- ▶ **En cas d'utilisation abusive, du liquide peut sortir de l'accu. Éviter tout contact avec ce liquide. En cas de contact par mégarde, rincer soigneusement avec de l'eau. Au cas où le liquide rentrerait dans les yeux, consulter en plus un médecin.** Le liquide qui sort de l'accu peut entraîner des irritations de la peau ou causer des brûlures.
- ▶ **Ne pas utiliser d'accu endommagé ou modifié.** Des accus endommagés ou modifiés peuvent avoir un comportement imprévisible et provoquer un incendie, une explosion ou engendrer un risque de blessures.
- ▶ **Ne jamais exposer l'accu au feu ou à des températures trop élevées.** Le feu ou des températures supérieures à 130 °C (265 °F) peuvent provoquer une explosion.
- ▶ **Suivre toutes les instructions de charge et ne jamais charger l'accu ou l'outil sur accu hors de la plage de températures spécifiée dans le manuel d'utilisation.** Une charge inappropriée ou hors de la plage de températures spécifiée risque d'endommager l'accu et accroître le risque d'incendie.

Service

- ▶ **L'outil électroportatif doit uniquement être réparé par un personnel qualifié et seulement avec des pièces de rechange d'origine.** Ceci permet d'assurer la sécurité de l'appareil.
- ▶ **Ne jamais entretenir d'accus endommagés.** Toutes les opérations d'entretien sur des accus doivent exclusivement être réalisées par le fabricant ou un prestataire de service client agréé.

2.2 Consignes de sécurité supplémentaires

Sécurité des personnes

- ▶ Ne jamais entreprendre de manipulation ni de modification sur le produit ou les accessoires.
- ▶ Toujours tenir le produit des deux mains par les poignées prévues à cet effet. Veiller à ce que les poignées soient toujours sèches, propres et exemptes de traces de graisse et d'huile.



- ▶ Faire régulièrement des pauses et des exercices pour favoriser l'irrigation sanguine dans les doigts. En cas de travaux prolongés, les fortes vibrations peuvent perturber la circulation dans les vaisseaux sanguins ou le système nerveux dans les doigts, les mains ou le poignet.
- ▶ Le produit n'est pas destiné à être utilisé par des personnes affaiblies sans encadrement. Tenir le produit à l'écart des enfants.
- ▶ La poussière générée par le meulage, le ponçage, le tronçonnage et le forage peut contenir des produits chimiques dangereux. Par exemple : plomb ou peinture à base de plomb ; brique, béton et autres produits de maçonnerie, pierre naturelle et autres produits contenant des silicates ; certains bois, tels que le chêne, le hêtre et le bois traité chimiquement ; amiante ou matériaux contenant de l'amiante. Déterminer l'exposition de l'opérateur et personnes se trouvant dans l'entourage en fonction de la classe de danger des matériaux traités. Prendre les mesures nécessaires pour maintenir l'exposition à un niveau sûr, par exemple en utilisant un système de collecte des poussières ou en portant une protection respiratoire appropriée. Mesures générales visant à réduire l'exposition :
 - ▶ Travailler dans un endroit bien ventilé
 - ▶ Éviter le contact prolongé avec la poussière
 - ▶ Faire en sorte que la poussière soit dirigée loin du visage et du corps
 - ▶ Porter des vêtements de protection et laver les zones exposées à l'eau et au savon.
- ▶ Pendant l'utilisation du produit, l'utilisateur et les personnes se trouvant à proximité doivent porter des lunettes de protection, un casque de protection, un casque antibruit et un masque respiratoire.
- ▶ Risque de blessures dues à la chute d'outils et/ou d'accessoires. Avant de commencer à travailler, contrôler si l'accu et l'accessoire monté sont solidement fixés.
- ▶ Gardez toujours les ouïes d'aération dégagées. Risque de brûlures si les ouïes d'aération sont couvertes !
- ▶ Ne mettez le produit en marche qu'après l'avoir mis en position de travail.
- ▶ Attendre jusqu'à ce que le produit soit complètement arrêté avant de le déposer.
- ▶ Ne pas fixer de mousqueton de ceinture à ce produit.
- ▶ Ne pas toucher la tête métallique lorsque le produit est en marche car il est brûlante.
- ▶ Après avoir découpé le matériau, ne pas toucher la surface de coupe brûlante.
- ▶ La lame de scie et les autres pièces métalliques peuvent être brûlantes ou présenter des arêtes vives. Porter des gants de protection lors du changement de lame de scie, du vidage du bac à copeaux et du nettoyage des ouïes d'aération.
- ▶ Ne pas tenir la pièce à la main mais utiliser un étai ou un dispositif similaire pour éviter tout mouvement pendant la découpe. Si la pièce à travailler bouge ou oscille, le fonctionnement devient instable et difficile à contrôler. Interrompre immédiatement le travail et fixer la pièce à travailler de manière professionnelle, sinon la lame de scie sera endommagée et des blessures graves pourront survenir.
- ▶ Sécuriser la pièce à travailler de manière à ce que les sections ne puissent pas tomber et provoquer des blessures.
- ▶ Des copeaux métalliques et des étincelles provenant du processus de découpe peuvent endommager l'environnement ou entraîner un incendie. Des copeaux de métal brûlants peuvent faire fondre le matériau du bac à copeaux. Ne pas utiliser le produit à proximité de matériaux inflammables.
- ▶ Avant de travailler en hauteur, installer le bac à copeaux. Les copeaux qui s'échappent et tombent peuvent sinon provoquer des brûlures à l'opérateur et aux personnes se trouvant à proximité.
- ▶ N'utilisez pas le bac à copeaux s'il est endommagé. Des fragments de la lame de scie ou des copeaux peuvent tomber du bac à copeaux et causer des blessures.
- ▶ Lors de travaux en hauteur, veiller à ce qu'aucune personne ne se trouve en dessous. La chute de sections, de matériaux ou de produits peut entraîner des accidents.
- ▶ Aucun bruit ou vibration inhabituels ne doivent se produire pendant le travail. Une utilisation en présence de bruits ou vibrations inhabituels peut endommager la lame de scie et entraîner ainsi des blessures graves.
- ▶ Les copeaux métalliques ont des arêtes vives et peuvent occasionner des blessures. Porter des vêtements ajustés afin d'éviter que des copeaux ne pénètrent dans les gants, les chaussures ou ailleurs.

Rebond – Causes et instructions de sécurité

- Le rebond ou recul est une réaction soudaine observée sur une lame de scie pincée, bloquée ou mal alignée, faisant sortir l'outil électroportatif de la pièce à travailler de manière incontrôlée, dans la direction de l'utilisateur ;
- Si la lame de scie se coince ou se bloque dans la fente de sciage, elle se bloque et la force du moteur fait rebondir la scie vers l'utilisateur.
- Si la lame se tord ou est mal alignée dans la coupe de sciage, les dents du bord arrière peuvent s'accrocher dans la surface de la pièce, faisant sortir la lame du trait de scie et provoquant le rebond de la scie vers l'utilisateur.



Un rebond est la conséquence d'une mauvaise utilisation ou d'une utilisation incorrecte de l'outil électroportatif. Il peut être évité en prenant les précautions adéquates décrites ci-dessous.

- ▶ Maintenir l'outil électroportatif avec les deux mains et positionner les bras de façon à résister aux forces de rebond. Toujours se tenir sur le côté de la lame de scie ; ne jamais aligner la lame de scie avec le corps. Le rebond peut faire sauter l'outil électroportatif en arrière, mais les forces qui s'exercent alors peuvent être maîtrisées par l'utilisateur s'il prend les précautions adéquates.
- ▶ Lorsque la lame est grippée ou lorsqu'une coupe est interrompue pour quelque raison que ce soit, arrêter l'outil électroportatif et le maintenir immobile dans le matériau jusqu'à l'arrêt complet de la lame. Ne jamais essayer de retirer l'outil électroportatif de la pièce à travailler ou de le tirer en arrière tant que la lame est en mouvement, car sinon, un rebond peut se produire. Rechercher la cause du grippage de la lame et prendre des mesures pour l'empêcher.
- ▶ Lors de la remise en marche d'un outil électroportatif dans la pièce à travailler, centrer la lame dans le trait de scie, de sorte que les dents ne soient pas accrochées dans le matériau. Lorsque la lame se coince, elle peut sortir de la pièce à scier ou provoquer un rebond au moment de la remise en marche de l'outil électroportatif.
- ▶ Placer les fers d'armature de grande taille sur un support afin de minimiser le risque de grippage de la lame et de rebond. Les fers d'armature de grande taille peuvent fléchir en raison de leur propre poids.
- ▶ Ne pas utiliser de lames de scie émoussées ou endommagées. Les lames de scie dont les dents sont émoussées ou mal alignées provoquent une augmentation du frottement, un blocage de la lame et un rebond.

Utilisation et emploi soigneux de l'outil électroportatif

- ▶ Ne jamais utiliser le produit sans capot de lame de scie.
- ▶ Serrer correctement l'outil amovible et le flasque de serrage. Si l'outil amovible et le flasque de serrage ne sont pas bien fixés, l'outil amovible peut se dégager de la broche par l'effet de freinage du moteur lors du ralentissement après l'arrêt.
- ▶ Adapter la force d'avance du produit à la lame de scie et à la pièce à travailler. Cela évite un blocage de la lame de scie, ce qui risquerait de provoquer un rebond.
- ▶ Ne commencer à couper que lorsque le produit a atteint sa vitesse maximale. Le fait de toucher la pièce à travailler avec la lame de scie avant que le moteur ne démarre surcharge et endommage la lame de scie et peut entraîner de graves blessures.
- ▶ Ne pas couper de matériaux dont la taille dépasse la capacité de coupe du produit.
- ▶ S'assurer que la lame de scie n'est pas déformée ou usée et qu'elle ne présente pas de segments manquants ou de fissures. Ne pas utiliser de lames de scie visiblement endommagées ou usées. Dans ces conditions, la coupe peut endommager la lame de scie et le bac à copeaux avec adaptateur, voire provoquer des blessures graves.
- ▶ N'utiliser que des lames de scie autorisées pour le produit et correspondant aux indications des caractéristiques techniques. L'utilisation de la lame de scie pour d'autres applications peut entraîner une usure excessive, le desserrage de la lame de scie, une puissance de coupe insuffisante et un échauffement excessif, ce qui peut endommager la lame de scie et provoquer des blessures graves.
- ▶ Utiliser le produit uniquement pour découper des matériaux tel que décrit à la section Utilisation conforme aux prescriptions → Page 22.

Sécurité relative au système électrique

- ▶ Avant d'entamer le travail, vérifier qu'il n'y a pas de câbles ou gaines électriques, tuyaux de gaz ou d'eau cachés dans la zone d'intervention. Les parties métalliques externes du produit peuvent provoquer un choc électrique ou une explosion si vous endommagez une ligne électrique, une conduite de gaz ou une conduite d'eau.
- ▶ En cas d'usinage fréquent de matériaux conducteurs, faire réviser les produits encrassés à intervalles réguliers par le S.A.V. Hilti. La poussière accumulée sur la surface de l'outil électroportatif, en particulier celle produite par des matériaux conducteurs, ou l'humidité risquent, dans des conditions défavorables, de provoquer une décharge électrique.

Place de travail

- ▶ Les fentes dans des murs et autres structures porteurs sont susceptibles de modifier la statique de la construction, en particulier lors d'interventions sur des armatures métalliques ou des éléments porteurs. Avant de commencer le travail, consulter le staticien, l'architecte ou le chef de chantier compétent.

2.3 Utilisation et emploi soigneux des batteries

- ▶ **Respecter les consignes de sécurité suivantes relatives à la manipulation et à l'utilisation des accus Li-Ion.** Le non-respect de telles mesures risque de provoquer des irritations cutanées, des blessures graves corrosives, des brûlures chimiques, des incendies et/ou des explosions.



- ▶ Utiliser les accus uniquement dans un état techniquement impeccable.
- ▶ Traiter les accus avec soin pour éviter les endommagement et les fuites de liquides très nocifs pour la santé !
- ▶ Les accus ne doivent en aucun cas être modifiés ou manipulés !
- ▶ Il est interdit de démonter, écraser, chauffer les accus à une température supérieure à 80 °C (176 °F) ou de les jeter au feu.
- ▶ Ne pas utiliser ni recharger d'accus ayant subi un choc ou ayant été endommagés de quel-qu'autre manière. Vérifier régulièrement l'absence de traces d'endommagement sur les accus.
- ▶ Ne jamais utiliser d'accus recyclés ou réparés.
- ▶ Ne jamais utiliser l'accu ni aucun outil électrique sans fil comme outil de percussion.
- ▶ Ne jamais exposer les accus à un rayonnement direct du soleil, des températures élevées, des étincelles ou des flammes nues. Il y a alors risque d'explosions.
- ▶ Ne jamais toucher les pôles avec les doigts, des outils, des bijoux ou tout autre objet métallique. Cela peut endommager l'accu et entraîner des dommages matériels et des blessures.
- ▶ Maintenir les accus à l'abri de la pluie, de l'humidité et des liquides. Toute pénétration d'humidité risque de provoquer un court-circuit, des chocs électriques, des brûlures, des incendies ou des explosions.
- ▶ Utiliser exclusivement les chargeurs et outils électriques prévus pour le type d'accu considéré. Respecter à ce sujet les indications du mode d'emploi correspondant.
- ▶ Ne pas utiliser ni stocker l'accu dans des environnements présentant des risques d'explosion.
- ▶ Si l'accu est trop chaud pour être touché, il est probablement défectueux. Placer l'accu dans un endroit bien visible, non inflammable et suffisamment éloigné de matériaux inflammables. Laisser l'accu refroidir. Si, après une heure, l'accu est toujours trop chaud pour être saisi, c'est qu'il est défectueux. Contacter le service après-vente **Hilti** ou consulter le document « Instructions de sécurité et d'utilisation pour les accus Li-Ion **Hilti** ».



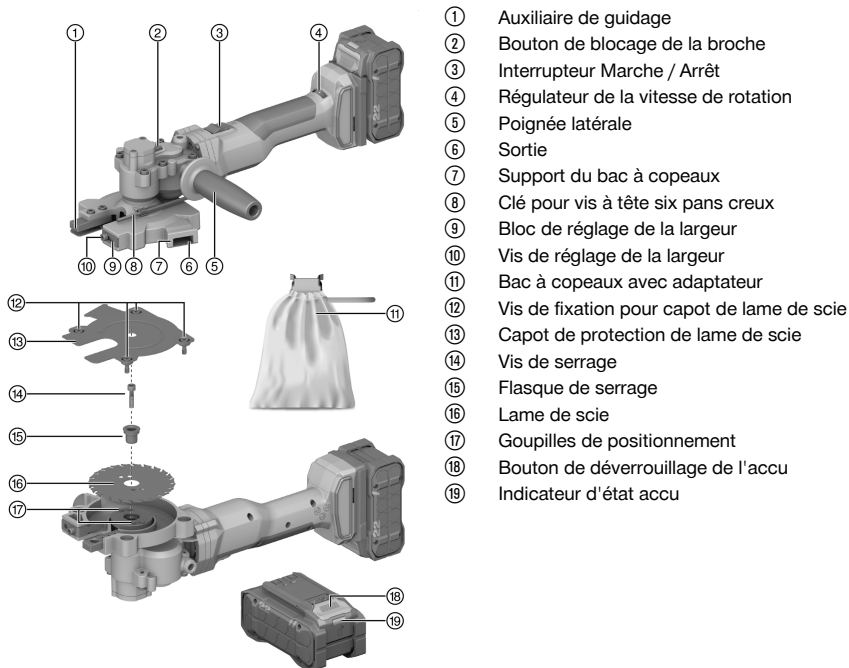
Respecter les directives spécifiques pour le transport, le stockage et l'utilisation d'accus Li-Ion.
→ Page 28

Lire les remarques relatives à la sécurité et à l'utilisation des accus Li-Ion **Hilti** que vous trouverez en scannant le code QR à la fin de ce mode d'emploi.



3 Description

3.1 Vue d'ensemble du produit



- ① Auxiliaire de guidage
- ② Bouton de blocage de la broche
- ③ Interrupteur Marche / Arrêt
- ④ Régulateur de la vitesse de rotation
- ⑤ Poignée latérale
- ⑥ Sortie
- ⑦ Support du bac à copeaux
- ⑧ Clé pour vis à tête six pans creux
- ⑨ Bloc de réglage de la largeur
- ⑩ Vis de réglage de la largeur
- ⑪ Bac à copeaux avec adaptateur
- ⑫ Vis de fixation pour capot de lame de scie
- ⑬ Capot de protection de lame de scie
- ⑭ Vis de serrage
- ⑮ Flasque de serrage
- ⑯ Lame de scie
- ⑰ Goupilles de positionnement
- ⑱ Bouton de déverrouillage de l'accu
- ⑲ Indicateur d'état accu

3.2 Utilisation conforme à l'usage prévu

Le produit décrit est une coupeuse de fers d'armature sur accu. Elle sert à couper à ras ou librement les fers d'armature, tiges filetées en acier doux, tiges filetées en acier doux galvanisé et tiges filetées en acier inoxydable utilisés en construction.

- Pour ce produit, utiliser exclusivement des accus Li-Ion **Hilti** Nuron de la série B 22. Pour une puissance optimale, **Hilti** recommande pour ce produit les accus indiqués dans le tableau à la fin de ce mode d'emploi.
- Pour ces accus, utiliser exclusivement des chargeurs **Hilti** des séries indiquées dans le tableau à la fin de ce mode d'emploi.

3.3 Éléments livrés

Coupeuse de fers d'armature, poignée latérale, lame de scie, capot de lame de scie, clé pour vis à six pans creux, bac à copeaux, mode d'emploi

D'autres produits système pour votre produit peuvent être trouvés dans votre **Hilti Store** ou à l'adresse : www.hilti.group

3.4 Fonction de protection du moteur

La fonction de protection du moteur surveille l'intensité du courant absorbé ainsi que l'échauffement du moteur et protège le produit de toute surchauffe.

Si le moteur vient à être en surcharge du fait d'une pression exercée trop importante, la puissance du produit est considérablement réduite ou le produit peut s'arrêter.

En cas d'arrêt ou de diminution de la vitesse de rotation à cause d'une surcharge, dégager le produit et le laisser tourner à vide pendant 30 secondes environ.



3.5 Affichages de l'accu Li-Ion

Les accus Li-Ion Hilti Nuron peuvent afficher l'état de charge, les messages d'erreur et l'état de l'accu.

3.5.1 Affichages de l'état de charge et des messages d'erreur

AVERTISSEMENT

Risque de blessures en cas de chute de l'accu !

- ▶ Lorsque l'accu est inséré et après avoir appuyé sur la touche de déverrouillage, s'assurer que l'accu est correctement réenclenché dans le produit utilisé.

Pour consulter un des affichages suivants, appuyer brièvement sur la touche de déverrouillage de l'accu. L'état de charge et les dysfonctionnements possibles sont affichés en permanence tant que le produit raccordé est allumé.

État	Signification
Quatre (4) DEL sont allumées en vert en continu	État de charge : de 100 % à 71 %
Trois (3) DEL sont allumées en vert en continu	État de charge : de 70 % à 51 %
Deux (2) DEL sont allumées en vert en continu	État de charge : de 50 % à 26 %
Une (1) DEL est allumée en vert en continu	État de charge : de 25 % à 10 %
Une (1) DEL clignote lentement en vert	État de charge : < 10 %
Une (1) DEL clignote rapidement en vert	L'accu Li-Ion est entièrement déchargé. Charger l'accu. Si la DEL continue de clignoter rapidement après la charge de l'accu, s'adresser au S.A.V. Hilti .
Une (1) DEL clignote rapidement en jaune	L'accu Li-Ion ou le produit correspondant est surchargé, trop chaud, trop froid ou il y a un autre défaut. Amener le produit et l'accu à la température de travail recommandée et ne pas surcharger le produit pendant son utilisation. Si le message ne disparaît pas, s'adresser au S.A.V. Hilti .
Une (1) DEL est allumée en jaune	L'accu Li-Ion ainsi que le produit connecté ne sont pas compatibles. Merci de s'adresser au S.A.V. Hilti .
Une (1) DEL clignote rapidement en rouge	L'accu Li-Ion est verrouillé et ne peut plus être utilisé. Merci de s'adresser au S.A.V. Hilti .

3.5.2 Affichages de l'état de l'accu

Pour consulter l'état de l'accu, maintenir la touche de déverrouillage enfoncée pendant plus de trois secondes. Le système ne détecte aucun dysfonctionnement potentiel de la batterie dû à une utilisation incorrecte, par ex. chute, piqûres, dommages externes dus à la chaleur, etc.

État	Signification
Toutes les DEL forment un chenillard, puis une (1) DEL est allumée en vert en continu.	L'accu peut continuer à être utilisé.
Toutes les DEL forment un chenillard, puis une (1) DEL clignote rapidement en jaune.	L'interrogation de l'état de l'accu n'a pas pu être terminée. Répéter la procédure ou s'adresser au S.A.V. Hilti .
Toutes les DEL forment un chenillard, puis une (1) DEL est allumée en rouge en continu.	Si un produit raccordé peut continuer à être utilisé, la capacité résiduelle de l'accu est inférieure à 50 %. Si un produit raccordé ne peut plus être utilisé, l'accu est arrivé à la fin de sa durée de vie et doit être remplacé. Merci de s'adresser au S.A.V. Hilti .



4 Caractéristiques techniques

4.1 Informations produit

Tension de référence		21,6 V
Poids		3,4 kg (7,50 lb) (sans accu)
Dimensions		490 mm × 142 mm × 156 mm (19,29 in × 5,59 in × 6,14 in)
Capacité de découpe de fers d'armature		10 mm ... 25 mm (0,39 in ... 0,98 in)
Vitesse de rotation à vide	Configuration 1	1.000 tr/min
	Configuration 2	1.200 tr/min
	Configuration 3	1.400 tr/min
	Configuration 4	1.600 tr/min
	Configuration 5	1.800 tr/min
	Configuration 6	2.200 tr/min
Diamètre de la lame de scie		110 mm (4,33 in)
Température de service en cours de service		-17 °C ... 60 °C (1,4 °F ... 140,0 °F)
Température de stockage		-20 °C ... 70 °C (-4,0 °F ... 158,0 °F)

4.2 Batterie

Tension nominale de l'accu	21,6 V
Poids de l'accu	Voir à la fin de ce mode d'emploi
Température de service en cours de service	-17 °C ... 60 °C (1,4 °F ... 140,0 °F)
Température de stockage	-20 °C ... 40 °C (-4,0 °F ... 104,0 °F)
Température de l'accu au début de la charge	-10 °C ... 45 °C (14,0 °F ... 113,0 °F)

5 Préparatifs

AVERTISSEMENT

Risque de blessures du fait d'une mise en marche inopinée !

- ▶ Avant d'insérer l'accu, s'assurer que le produit correspondant est bien sur arrêt.
- ▶ Retirer le bloc-accu, avant d'effectuer des réglages sur l'appareil ou de changer les accessoires.

Bien respecter les consignes de sécurité et les avertissements de la présente documentation ainsi que celles figurant sur le produit.



5.1 Recharge de l'accu

1. Avant de commencer la charge, lire le mode d'emploi du chargeur.
2. Veiller à ce que les contacts de l'accu et du chargeur sont propres et secs.
3. Charger l'accu à l'aide d'un chargeur homologué. → Page 22

5.2 Introduction de l'accu

AVERTISSEMENT

Risque de blessures du fait d'un court-circuit ou de la chute de l'accu !

- ▶ Avant d'insérer l'accu dans l'appareil, s'assurer que les contacts de l'accu et les contacts sur le produit sont exempts de corps étrangers.
- ▶ S'assurer que l'accu s'encliquette toujours correctement.

1. L'accu doit être entièrement chargé avant la première mise en service.
2. Introduire l'accu dans le produit jusqu'à ce qu'il s'enclenche de manière audible.
3. Vérifier que l'accu est bien en place.

5.3 Retrait de l'accu

1. Appuyer sur la touche de déverrouillage de l'accu.
2. Retirer l'accu hors du produit.

5.4 Démontage de la lame de scie 2

AVERTISSEMENT

Risque de brûlure, de coupure au niveau de la lame de scie, de la vis de serrage et du flasque de serrage

Des brûlures ou des blessures par coupure peuvent s'ensuivre.

- ▶ Porter des gants de protection pour changer de lame de scie.
1. Dévisser les 4 vis de maintien du capot de lame de scie à l'aide de la clé pour vis à six pans creux.
 2. Présenter la clé pour vis à tête six pans creux sur la vis de serrage du flasque de serrage.
 3. Appuyer sur le bouton de blocage de la broche et faire tourner la lame de scie avec la clé pour vis à six pans creux jusqu'à ce que le bouton de blocage de la broche empêche toute autre rotation.
 4. La lame de scie étant verrouillée, tourner maintenant la clé pour vis à six pans creux dans le sens inverse des aiguilles d'une montre pour desserrer et retirer la vis de serrage.
 5. Retirer le flasque de serrage et la lame de scie.

5.5 Remplacement de la lame de scie 3

Utiliser exclusivement la lame de scie **Hilti** NRC Xcut 110/4.3". Utiliser uniquement des lames de scie dans un état impeccable.

1. Introduire la lame de scie sur la broche d'entraînement. Veiller à ce que les quatre goupilles de positionnement de la broche d'entraînement se trouvent dans les trous de la lame de scie.



Contrôler les dents de la scie, les réglages de l'appareil et le sens de rotation. Ne pas utiliser de lames de scie dont les dents sont usées à moins de 1 mm.

2. Mettre le nouveau flasque de serrage en place.
3. Mettre la nouvelle vis de serrage en place.
4. Enfoncer complètement le bouton de blocage de la broche et serrer la vis à l'aide de la clé à six pans creux.



S'assurer que le bouton de blocage de la broche est complètement enfoncé. Sinon, la lame de scie peut tourner et provoquer des blessures.

5. Placer le nouveau cache de lame de scie avec 4 vis de maintien et serrez les vis avec la clé à six pans creux.




5.6 Sécurité anti-chute

AVERTISSEMENT


Risque de blessures en cas de chute de l'outil et/ou des accessoires !

- ▶ Utiliser uniquement la longe porte-outil **Hilti** recommandée pour votre produit.
- ▶ Contrôler l'état du point de fixation de la longe porte-outil avant chaque utilisation.

 Respecter les directives nationales en vigueur pour les travaux en hauteur.

En tant que protection anti-chute pour ce produit, utiliser exclusivement une combinaison de la sécurité anti-chute **Hilti** #2293133 avec la longe porte-outil **Hilti** #2261970.

- ▶ Fixer la sécurité anti-chute dans les ouvertures de montage pour accessoires. Vérifier qu'elle tient bien.
- ▶ Fixer un mousqueton de la longe porte-outil dans la sécurité anti-chute et le second mousqueton sur une structure porteuse. Vérifier qu'elle tient bien.

 Respecter les modes d'emploi de la sécurité anti-chute **Hilti** et de la longe porte-outil **Hilti**.

5.7 Pose ou dépose du bac à copeaux

1. Pour la pose, faire glisser l'adaptateur du bac à copeaux sur le support du bac à copeaux jusqu'à ce qu'il s'encliquette de manière audible.
2. Pour la dépose, défaire les deux attaches de l'adaptateur du bac à copeaux en les tirant légèrement vers l'extérieur.

5.8 Montage de la poignée latérale

- ▶ Visser la poignée latérale dans l'un des taraudages.

5.9 Réglage de la largeur d'ouverture

1. Desserrer la vis de réglage de la largeur.
2. Faire glisser le bloc de réglage de la largeur vers la gauche ou la droite pour obtenir la largeur d'ouverture souhaitée.

6 Utilisation

Bien respecter les consignes de sécurité et les avertissements de la présente documentation ainsi que celles figurant sur le produit.

6.1 Mise en marche

ATTENTION

Risque de blessures Perte de contrôle sur le produit.

- ▶ Avant d'utiliser le produit, s'assurer que la poignée latérale, le flasque de serrage, le capot de lame de scie et les vis de maintien du capot de lame de scie, ainsi que toutes les autres vis, sont bien fixés.

1. Appuyer sur la partie arrière de l'interrupteur Marche/Arrêt.
2. Pousser l'interrupteur Marche/Arrêt vers l'avant.
 - ▶ Le moteur tourne.
3. Bloquer l'interrupteur Marche/Arrêt.



6.2 Découpe de fers d'armature

AVERTISSEMENT

Risque de blessures Un mauvais placement ou une mauvaise vitesse de rotation peut provoquer de graves blessures et endommager l'électronique du moteur.

- ▶ Ralentir le mouvement vers l'avant (mouvement de coupe) aussi bien au début qu'à la fin du processus de coupe.
- ▶ Tenir fermement le produit afin qu'il ne vibre pas pendant la coupe.
- ▶ Ne pas commencer à couper immédiatement après la mise en marche du moteur. Avant d'entailler, faire tourner la lame de scie à plein régime.
- ▶ Ne pas toucher les pièces en rotation, car cela peut entraîner de graves blessures.
- ▶ Ne pas découper de fers d'armature dont le diamètre est inférieur à 4 mm.
- ▶ Ne pas découper de fers d'armature d'une longueur inférieure à 10 mm car la section peut rester coincée entre la lame de scie et le cache et entraîner des dommages et des blessures graves.

1. S'assurer que l'interrupteur est en position **O (1)**.
2. Choisir la configuration appropriée pour la coupe à effectuer **(2)**.



La configuration 6 est la plus grande vitesse de sciage. Choisir une configuration inférieure pour réduire les étincelles.

3. Mettre le produit en marche. → Page 26
4. Appuyer l'aide de guidage contre le fer d'armature. Pousser lentement le produit vers l'avant pour commencer à découper le fer **(4)**.
5. Une fois la coupe terminée, éteindre le produit. → Page 27

6.3 Arrêt

- ▶ Appuyer sur la partie arrière de l'interrupteur Marche/Arrêt.
 - ▶ L'interrupteur Marche/Arrêt se met sur la position Arrêt et le moteur s'arrête.

7 Nettoyage et entretien

AVERTISSEMENT

Risque de blessures lorsque l'accu est inséré !

- ▶ Toujours retirer l'accu avant tous travaux de nettoyage et d'entretien !

Entretien du produit

- Éliminer avec précaution les saletés récalcitrantes.
- Le cas échéant, nettoyer soigneusement les ouïes d'aération à l'aide d'une brosse sèche et douce.
- Nettoyer le carter de l'appareil uniquement avec un chiffon légèrement humide. Ne pas utiliser de nettoyeurs à base de silicone car ceci pourrait attaquer les pièces en plastique.
- Utiliser un chiffon propre et sec pour nettoyer les contacts du produit.

Entretien des accus Li-ion

- Ne jamais utiliser un accu dont les ouïes d'aération sont bouchées. Nettoyer soigneusement les ouïes d'aération à l'aide d'une brosse sèche et douce.
- Éviter d'exposer inutilement l'accu à la poussière ou à la saleté. Ne jamais exposer l'accu à une forte humidité (par exemple en l'immergeant dans de l'eau ou en le laissant sous la pluie).
Si l'accu a été trempé, le traiter comme un accu endommagé. L'isoler dans un récipient ininflammable et s'adresser au S.A.V. Hilti.
- Veiller à ce que l'accu soit toujours exempt de traces de graisse et d'huile étrangères. Ne pas laisser de la poussière ou de la saleté s'accumuler inutilement sur l'accu. Nettoyer l'accu avec une brosse sèche et douce ou un chiffon propre et sec. Ne pas utiliser de nettoyeurs à base de silicone car ceci pourrait attaquer les pièces en plastique.
Ne pas toucher les contacts de l'accu et ne pas enlever la graisse appliquée en usine sur les contacts.
- Nettoyer le carter de l'appareil uniquement avec un chiffon légèrement humide. Ne pas utiliser de nettoyeurs à base de silicone car ceci pourrait attaquer les pièces en plastique.



Entretien

AVERTISSEMENT

Risque d'électrocution ! Des réparations inappropriées sur des composants électriques peuvent entraîner de graves blessures corporelles et brûlures.

- ▶ Toute réparation des pièces électriques ne doit être effectuée que par un électricien qualifié.
- Vérifier régulièrement qu'aucune pièce visible n'est endommagée et que les organes de commande sont parfaitement opérationnels.
- Ne pas utiliser le produit en cas d'endommagements et/ou de dysfonctionnements. Faire immédiatement réparer le produit par le S.A.V. Hilti.
- Après des travaux de nettoyage et d'entretien, vérifier si tous les équipements de protection sont bien en place et fonctionnent parfaitement.



Pour une utilisation en toute sécurité, utiliser uniquement des pièces de rechange, consommables et accessoires d'origine. Vous trouverez les pièces de rechange, consommables et accessoires autorisés par Hilti convenant pour votre produit dans le centre **Hilti Store** ou sous : www.hilti.group

8 Transport et entreposage

Transport des outils sans fil et des accus

ATTENTION

Mise en marche inopinée lors du transport !

- ▶ Toujours retirer les accus avant de transporter les produits !
- ▶ Retirer le ou les accus.
- ▶ Ne jamais transporter les accus en vrac. Pendant le transport, les accus doivent être protégés des vibrations et chocs excessifs, isolés de tout matériau conducteur ou autre accu, pour éviter qu'ils n'entrent en contact avec d'autres pôles de batterie et qu'ils provoquent un court-circuit. **Tenir compte des prescriptions locales pour le transport d'accus.**
- ▶ Ne pas envoyer les accus par la poste. S'adresser à un service d'expédition s'il faut envoyer des accus non endommagés.
- ▶ Contrôler l'état du produit et des accus avant chaque utilisation, ainsi qu'avant et après tout transport prolongé.

Stockage des outils sans fil et des accus

AVERTISSEMENT

Endommagement involontaire du fait d'accus défectueux ou de chute d'accu !

- ▶ Toujours retirer les accus avant de stocker les produits !
- ▶ Stocker si possible le produit et les accus dans un endroit sec et frais. Respecter les valeurs limites de température indiquées dans les caractéristiques techniques.
- ▶ Ne pas stocker les accus sur le chargeur. Retirer toujours l'accu du chargeur après la charge.
- ▶ Ne jamais stocker les accus exposés au soleil, sur des sources de chaleur ou derrière des vitres.
- ▶ Stocker le produit et les accus à l'abri des enfants et des personnes non autorisées.
- ▶ Contrôler l'état du produit et des accus avant chaque utilisation, ainsi qu'avant et après tout stockage prolongé.

9 Aide au dépannage

En cas de dysfonctionnements, tenir compte de l'indicateur d'état de la batterie. Voir chapitre **Indicateurs de la batterie Li-Ion** → Page 23.

En cas de défaillances non énumérées dans ce tableau ou auxquelles il n'est pas possible de remédier sans aide, contacter le S.A.V. Hilti.

Défaillance	Causes possibles	Solution
Mise en marche impossible du produit.	Décharger l'accu.	▶ Remplacer l'accu et charger l'accu vide.
L'accu se vide plus rapidement que d'habitude.	Température ambiante très basse.	▶ Laisser l'accu se réchauffer lentement à la température de service.



Défaillance	Causes possibles	Solution
L'accu ne s'encliquette pas avec un clic audible.	L'ergot d'encliquetage sur l'accu est encrassé.	► Nettoyer l'ergot d'encliquetage et réinsérer l'accu.
Aucune fonction de freinage du moteur.	Décharger l'accu.	► Remplacer l'accu et charger l'accu vide.
	Le produit est momentanément en surcharge.	► Arrêter puis remettre en marche le produit.

10 Recyclage

AVERTISSEMENT

Risque de blessures en cas d'élimination incorrecte ! Émanations possibles de gaz et de liquides nocives pour la santé.

- Ne pas envoyer ni expédier d'accus endommagés !
- Recouvrir les raccordements avec un matériau non conducteur pour éviter tout court-circuit.
- Éliminer les accus en veillant à ce qu'ils soient hors de la portée des enfants.
- Éliminer l'accu en le déposant auprès du **Hilti Store** local ou s'adresser à l'entreprise de collecte des déchets compétente.

Les produits **Hilti** sont fabriqués pour une grande partie en matériaux recyclables. Le recyclage pré suppose un tri adéquat des matériaux. **Hilti** reprend les appareils usagés dans de nombreux pays en vue de leur recyclage. Consulter le service clients **Hilti** ou un conseiller commercial.



- Ne pas jeter les appareils électriques, électroniques et accus dans les ordures ménagères !

11 Garantie constructeur

- En cas de questions sur les conditions de garantie, veuillez vous adresser à votre partenaire **Hilti** local.

12 Informations complémentaires

Des informations complémentaires concernant l'utilisation, la technique, l'environnement et le recyclage sont disponibles sous le lien ci-dessous : qr.hilti.com/manual/?id=2412811

Ce lien figure également à la fin de la documentation sous forme de code QR.

Manual de instrucciones original

1 Información sobre el manual de instrucciones

1.1 Acerca de este manual de instrucciones

- **¡Atención!** Asegúrese de haber leído y entendido toda la documentación adjunta, incluidas, entre otras, las instrucciones, advertencias de seguridad, ilustraciones y especificaciones que se proporcionan con este producto. Familiarícese con todas las instrucciones, advertencias de seguridad, ilustraciones, especificaciones, componentes y funciones del producto antes de utilizarlo. De lo contrario, existe peligro de descarga eléctrica, incendio y/o lesiones graves. Conserve todas las advertencias e instrucciones para futuras consultas.
- Los productos **HILTI** han sido diseñados para usuarios profesionales y solo personal autorizado y debidamente formado puede utilizarlos y llevar a cabo su mantenimiento y conservación. Este personal debe estar especialmente instruido en lo referente a los riesgos de uso. La utilización del producto y sus dispositivos auxiliares puede conllevar riesgos para el usuario en caso de manejarse de forma inadecuada por personal no cualificado o utilizarse para usos diferentes a los que están destinados.
- La documentación adjunta corresponde al estado actual de la técnica en el momento de la impresión. Compruebe siempre la última versión en la página del producto de la página web de Hilti. Para ello siga el enlace o escanee el código QR que figura en esta documentación y que se indica con el símbolo .
- No entregue nunca el producto a otras personas sin este manual de instrucciones.



1.2 Explicación de símbolos

1.2.1 Avisos

Las advertencias de seguridad advierten de peligros derivados del manejo del producto. Se utilizan las siguientes palabras de peligro:



PELIGRO

PELIGRO !

► Término utilizado para un peligro inminente que puede ocasionar lesiones graves o incluso la muerte.



ADVERTENCIA

ADVERTENCIA !

► Término utilizado para un posible peligro que puede ocasionar lesiones graves o incluso la muerte.



PRECAUCIÓN

PRECAUCIÓN !

► Término utilizado para una posible situación peligrosa que puede ocasionar lesiones o daños materiales.

1.2.2 Símbolos en el manual de instrucciones

En este manual de instrucciones se utilizan los siguientes símbolos:

	Consulte el manual de instrucciones
	Indicaciones de uso y demás información de interés
	Manejo con materiales reutilizables
	No tire las herramientas eléctricas y las baterías junto con los desperdicios domésticos
	Hilti Batería de Ion-Litio
	Hilti Cargador

1.2.3 Símbolos en las figuras

En las figuras se utilizan los siguientes símbolos:

2	Estos números hacen referencia a la figura correspondiente incluida al principio de este manual de instrucciones.
3	La numeración en las figuras hace referencia a pasos de trabajo importantes o componentes importantes para los pasos de trabajo. Estos pasos de trabajo o componentes se resaltan en el texto mediante los correspondientes números, p. ej., (3) .
11	En la figura Vista general se utilizan números de posición y los números de la leyenda están explicados en el apartado Vista general del producto .
	Preste especial atención a este símbolo cuando utilice el producto.

1.3 Símbolos en el producto

1.3.1 Símbolos generales

En el producto se pueden utilizar los siguientes símbolos:

n_0	Velocidad de giro en vacío
/min	Revoluciones por minuto
RPM	Revoluciones por minuto



	Diámetro
	Hoja de sierra
	Corriente continua
	El producto es apto para tecnología NFC, que es compatible con las plataformas iOS y Android.
Li-Ion	Batería de Ion-Litio
	Nunca utilice la batería como herramienta de percusión.
	No deje que la batería se caiga. No utilice baterías que hayan recibido algún golpe ni que estén dañadas de alguna otra forma.
	Serie utilizada de baterías de Ion-Litio Hilti . Consulte las indicaciones recogidas en el capítulo Uso conforme a las prescripciones .
	Si está presente en el producto, significa que el organismo de certificación lo ha certificado para el mercado estadounidense y canadiense según las normas vigentes.

1.3.2 Símbolos de advertencia

Los símbolos de advertencia previenen de un peligro.

	No ponga las manos en la hoja de sierra
--	---

1.3.3 Señales prescriptivas

Las señales prescriptivas indican medidas obligatorias.

	Trabaje siempre con ambas manos.
	Utilizar protección para los ojos

1.4 Información del producto

Los productos han sido diseñados para usuarios profesionales y solo personal autorizado y debidamente formado puede utilizarlos y llevar a cabo su mantenimiento y conservación. Este personal debe estar especialmente instruido en lo referente a los riesgos de uso. La utilización del producto y sus dispositivos auxiliares puede conllevar riesgos para el usuario en caso de manejarse de forma inadecuada por personal no cualificado o utilizarse para usos diferentes a los que están destinados.

La denominación del modelo y el número de serie están indicados en la placa de identificación.

- ▶ Escriba el número de serie en la siguiente tabla. Necesitará los datos del producto para realizar consultas a nuestros representantes o al Departamento de Servicio Técnico.

Datos del producto

Cortador de hierros de armadura	NRC 6-22
Generación	01
N.º de serie	

2 Seguridad

2.1 Indicaciones generales de seguridad para herramientas eléctricas

ADVERTENCIA Lea con atención todas las indicaciones de seguridad, instrucciones, ilustraciones y datos técnicos correspondientes a esta herramienta eléctrica. La negligencia en el cumplimiento de las instrucciones que se describen a continuación podría provocar descargas eléctricas, incendios o lesiones graves.

Conserve todas las instrucciones e indicaciones de seguridad para futuras consultas.



El término «herramienta eléctrica» empleado en las indicaciones de seguridad se refiere a herramientas eléctricas portátiles, ya sea con cable de red o sin cable, en caso de ser accionadas por batería.

Seguridad en el puesto de trabajo

- ▶ **Mantenga su área de trabajo limpia y bien iluminada.** El desorden o una iluminación deficiente de las zonas de trabajo pueden provocar accidentes.
- ▶ **No utilice la herramienta eléctrica en un entorno con peligro de explosión en el que se encuentren líquidos, gases o polvos inflamables.** Las herramientas eléctricas producen chispas que pueden llegar a inflamar los materiales en polvo o vapores.
- ▶ **Mantenga alejados a los niños y otras personas de su puesto de trabajo al emplear la herramienta eléctrica.** Una distracción le puede hacer perder el control sobre la herramienta.

Seguridad eléctrica

- ▶ **El enchufe de la herramienta eléctrica debe corresponder a la toma de corriente utilizada. No se deberá modificar el enchufe en forma alguna. No utilice enchufes adaptadores para las herramientas eléctricas con puesta a tierra.** Los enchufes sin modificar adecuados a las respectivas tomas de corriente reducen el riesgo de descarga eléctrica.
- ▶ **Evite el contacto corporal con superficies que tengan puesta a tierra, como pueden ser tubos, calefacciones, cocinas y frigoríficos.** El riesgo a quedar expuesto a una sacudida eléctrica es mayor si su cuerpo tiene contacto con tierra.
- ▶ **No exponga las herramientas eléctricas a la lluvia y evite que penetren líquidos en su interior.** El riesgo de recibir descargas eléctricas aumenta si penetra agua en la herramienta eléctrica.
- ▶ **No utilice el cable de conexión para transportar o colgar la herramienta eléctrica ni tire de él para extraer el enchufe de la toma de corriente. Mantenga el cable de conexión alejado de fuentes de calor, aceite, aristas afiladas o piezas móviles.** Los cables de conexión dañados o enredados pueden provocar descargas eléctricas.
- ▶ **Cuando trabaje al aire libre con una herramienta eléctrica, utilice exclusivamente un alargador adecuado para exteriores.** La utilización de un alargador adecuado para su uso en exteriores evita el riesgo de una descarga eléctrica.
- ▶ **Cuando no pueda evitarse el uso de la herramienta eléctrica en un entorno húmedo, utilice un interruptor de corriente de defecto.** La utilización de un interruptor de corriente de defecto evita el riesgo de una descarga eléctrica.

Seguridad de las personas

- ▶ **Permanezca atento, preste atención durante el trabajo y utilice la herramienta eléctrica con prudencia. No utilice una herramienta eléctrica si está cansado, ni tampoco después de haber consumido alcohol, drogas o medicamentos.** Un momento de descuido al utilizar la herramienta eléctrica podría producir graves lesiones.
- ▶ **Utilice el equipo de seguridad personal adecuado y lleve siempre gafas protectoras.** El riesgo de lesiones se reduce considerablemente si, según el tipo y la aplicación de la herramienta eléctrica empleada, se utiliza un equipo de seguridad personal adecuado como una mascarilla antipolvo, zapatos de seguridad con suela antideslizante, casco de protección o protección para los oídos.
- ▶ **Evite una puesta en servicio fortuita de la herramienta. Asegúrese de que la herramienta eléctrica está apagada antes de alzarla, transportarla, conectarla a la toma de corriente o insertar la batería.** Si transporta la herramienta eléctrica sujetándola por el interruptor de conexión/desconexión o si introduce el enchufe en la toma de corriente con la herramienta conectada, podría producirse un accidente.
- ▶ **Retire las herramientas de ajuste o llaves fijas antes de conectar la herramienta eléctrica.** Una herramienta o llave colocada en una pieza giratoria puede producir lesiones al ponerse en funcionamiento.
- ▶ **Evite adoptar posturas forzadas. Procure que la postura sea estable y manténgase siempre en equilibrio.** De esta forma podrá controlar mejor la herramienta eléctrica en caso de presentarse una situación inesperada.
- ▶ **Utilice ropa adecuada. No utilice vestimenta amplia ni joyas. Mantenga su pelo, vestimenta y guantes alejados de las piezas móviles.** La vestimenta suelta, las joyas y el pelo largo se pueden enganchar con las piezas en movimiento.
- ▶ **Siempre que sea posible montar equipos de aspiración o captación de polvo, asegúrese de que están conectados y de que se utilizan correctamente.** El uso de un sistema de aspiración de polvo reduce los riesgos derivados del polvo.
- ▶ **No se crea a salvo de cualquier riesgo ni pase por alto ninguna de las normas de seguridad relativas a las herramientas eléctricas, aun cuando esté familiarizado con la herramienta eléctrica y tenga larga experiencia en su uso.** Una actuación negligente puede provocar lesiones graves en cuestión de segundos.



Uso y manejo de la herramienta eléctrica

- ▶ **No sobrecargue la herramienta. Utilice la herramienta eléctrica adecuada para el trabajo que se dispone a realizar.** Con la herramienta eléctrica apropiada podrá trabajar mejor y de modo más seguro dentro del margen de potencia indicado.
- ▶ **No utilice herramientas eléctricas con el interruptor defectuoso.** Las herramientas eléctricas que no se puedan conectar o desconectar son peligrosas y deben repararse.
- ▶ **Extraiga el enchufe de la toma de corriente o retire la batería extraíble antes de efectuar cualquier ajuste en la herramienta, cambiar accesorios o en caso de no utilizar la herramienta durante un tiempo prolongado.** Esta medida preventiva evita el riesgo de arranque accidental de la herramienta eléctrica.
- ▶ **Guarde las herramientas eléctricas que no utilice fuera del alcance de los niños. No permita utilizar la herramienta a ninguna persona que no esté familiarizada con ella o que no haya leído este manual de instrucciones.** Las herramientas eléctricas utilizadas por personas inexpertas son peligrosas.
- ▶ **Cuide su herramienta eléctrica y los accesorios adecuadamente. Compruebe si las piezas móviles de la herramienta funcionan correctamente y sin atascarse, y si existen piezas rotas o deterioradas que pudieran afectar al funcionamiento de la herramienta eléctrica. Encargue la reparación de las piezas defectuosas antes de usar la herramienta eléctrica.** Muchos accidentes son consecuencia de un mantenimiento inadecuado de la herramienta eléctrica.
- ▶ **Mantenga los útiles limpios y afilados.** Las herramientas de corte bien cuidadas y con aristas afiladas se atascan menos y se guían con más facilidad.
- ▶ **Utilice la herramienta eléctrica, los accesorios, útiles de inserción, etc., de acuerdo con estas instrucciones. Para ello, tenga en cuenta las condiciones de trabajo y la tarea que se va a realizar.** El uso de herramientas eléctricas para trabajos diferentes de aquellos para los que han sido concebidas puede resultar peligroso.
- ▶ **Mantenga las empuñaduras y las superficies de contacto secas, limpias y sin residuos de aceite o grasa.** Las empuñaduras y superficies de contacto resbaladizas impiden manejar y controlar la herramienta eléctrica con seguridad en situaciones imprevistas.

Uso y manejo de la herramienta de batería

- ▶ **Cargue las baterías únicamente con los cargadores recomendados por el fabricante.** Existe riesgo de incendio al intentar cargar baterías de un tipo diferente al previsto para el cargador.
- ▶ **Utilice únicamente las baterías previstas para la herramienta eléctrica.** El uso de otro tipo de baterías puede provocar daños e incluso incendios.
- ▶ **Si no utiliza la batería, guárdela separada de clips, monedas, llaves, clavos, tornillos y demás objetos metálicos que pudieran puentear sus contactos.** El cortocircuito de los contactos de la batería puede causar quemaduras o incendios.
- ▶ **La utilización inadecuada de la batería puede provocar fugas de líquido. Evite el contacto con este líquido. En caso de contacto accidental, enjuague el área afectada con abundante agua. En caso de contacto con los ojos, acuda además inmediatamente a un médico.** El líquido de la batería puede irritar la piel o producir quemaduras.
- ▶ **No utilice baterías dañadas o modificadas.** Una batería dañada o modificada puede tener un comportamiento imprevisible y provocar incendios, explosiones o riesgo de lesiones.
- ▶ **No exponga la batería al fuego o a temperaturas muy elevadas.** El fuego o las temperaturas superiores a 130 °C (265 °F) pueden provocar una explosión.
- ▶ **Siga todas las instrucciones relativas a la carga y no cargue nunca la batería o la herramienta de batería excediendo el rango de temperatura indicado en el manual de instrucciones.** Una carga incorrecta o fuera del rango de temperatura permitido puede destruir la batería y aumentar el riesgo de incendio.

Servicio Técnico

- ▶ **Solicite que un profesional lleve a cabo la reparación de su herramienta eléctrica y que utilice exclusivamente piezas de repuesto originales.** Solamente así se garantiza la seguridad de la herramienta.
- ▶ **No realice nunca el mantenimiento de baterías dañadas.** Cualquier mantenimiento de las baterías debe llevarlo a cabo el fabricante o un centro del Servicio de Atención al Cliente autorizado.

2.2 Indicaciones de seguridad adicionales

Seguridad de las personas

- ▶ No efectúe nunca manipulaciones o modificaciones en el producto ni en los accesorios.



- ▶ Sujete siempre el producto con ambas manos por las empuñaduras previstas. Mantenga las empuñaduras secas, limpias y sin residuos de aceite o grasa.
- ▶ Efectúe a menudo pausas y ejercicios para mejorar la circulación de los dedos. Tras muchas horas de trabajo expuesto a las vibraciones intensas, pueden surgir complicaciones en los vasos sanguíneos o en el sistema nervioso en dedos, manos o articulaciones de las manos.
- ▶ El producto no es adecuado para personas con poca fuerza a las que no se haya instruido. Mantenga el producto fuera del alcance de los niños.
- ▶ El polvo que se genera al pulir, lijar, cortar y taladrar puede contener productos químicos peligrosos, como, por ejemplo, plomo o pinturas basadas en plomo; ladrillos, hormigón y otros productos de mampostería, piedra natural y otros productos que contengan silicatos; determinadas maderas, como el roble o el haya o las maderas tratadas químicamente, o amianto o materiales que contengan asbesto. La exposición del usuario y las personas circundantes debe regularse según la clase de peligro de los materiales con los que se trabaje. Tome las medidas necesarias para mantener la exposición a un nivel seguro, p. ej., mediante el uso de un sistema de recogida de polvo o una mascarilla adecuada. Las medidas genéricas para reducir la exposición son, entre otras:
 - ▶ trabajar en un espacio bien ventilado;
 - ▶ evitar el contacto prolongado con el polvo;
 - ▶ desviar el polvo de la cara y el cuerpo;
 - ▶ usar prendas protectoras y lavar con agua y jabón las zonas expuestas.
- ▶ El usuario y las personas que se encuentren en las inmediaciones de la zona de uso del producto deberán llevar protección para los ojos, casco de protección, protección para los oídos y mascarilla.
- ▶ - Riesgo de lesiones en caso de caída de herramientas o accesorios. Antes de iniciar el trabajo, compruebe que la batería y los accesorios montados estén bien fijados.
- ▶ Mantenga siempre las rejillas de ventilación despejadas. Riesgo de quemaduras debido a rejillas de ventilación cubiertas.
 - ▶ No conecte el producto hasta que este se encuentre en la posición de trabajo.
 - ▶ Espere hasta que el producto se haya detenido por completo antes de dejarlo sobre alguna superficie.
 - ▶ No fije ningún colgador de cinturón a este producto.
 - ▶ No toque el cabezal metálico cuando el producto esté en funcionamiento porque está caliente.
 - ▶ No toque la superficie de corte caliente después de cortar el material.
- ▶ La hoja de sierra y otras piezas metálicas pueden estar calientes o tener bordes afilados. Utilice guantes de protección al cambiar la hoja de sierra, vaciar el contenedor de virutas y limpiar las rejillas de ventilación.
- ▶ No sujete la pieza de trabajo con la mano, utilice un tornillo de banco o una herramienta similar para evitar que se mueva durante el corte. Si la pieza de trabajo se mueve o vibra, el funcionamiento se vuelve inestable y difícil de controlar. Detenga el funcionamiento inmediatamente y asegure la pieza de trabajo correctamente, de lo contrario la hoja de sierra se dañará y pueden producirse lesiones graves.
- ▶ Asegure la pieza de trabajo para que los apartados no puedan caerse y causar lesiones.
- ▶ Las virutas de metal y las chispas del proceso de corte pueden dañar la zona circundante o incendiarla. Las virutas metálicas calientes pueden fundir el material del contenedor de virutas. No utilice el producto cerca de materiales inflamables o sensibles.
- ▶ Antes de trabajar a gran altura, debe instalarse el depósito para virutas. De lo contrario, las virutas que salen volando y caen podrían causar quemaduras al usuario y a otras personas.
- ▶ No use el depósito para virutas si está dañado. Los fragmentos de la hoja de sierra o las virutas pueden caerse del depósito de virutas y causar lesiones.
- ▶ Cuando trabaje en altura, asegúrese de que no haya ninguna persona debajo de usted. La caída de apartados, materiales o productos puede provocar accidentes.
- ▶ No debe haber ruidos ni vibraciones fuera de lo normal durante el funcionamiento. El funcionamiento con ruidos o vibraciones fuera de lo normal puede dañar la hoja de sierra y causar lesiones graves.
- ▶ Las virutas metálicas son cortantes y pueden provocar lesiones. Utilice ropa ceñida al cuerpo para evitar que las virutas se introduzcan en sus guantes, zapatos u otros lugares.

Descripción de las causas del rebote e indicaciones de seguridad correspondientes

- El rebote es una fuerza de reacción brusca que sucede al engancharse, atascarse o guiar incorrectamente la hoja de sierra, lo que provoca el desplazamiento incontrolado de la herramienta eléctrica fuera de la pieza de trabajo hacia el usuario.
- Cuando la hoja de sierra queda enganchada o agarrotada en la ranura de la sierra, se bloquea y la fuerza del motor golpea la sierra hacia atrás, hacia el usuario.



- Si la hoja de sierra se gira lateralmente o se desalinea, los dientes de la parte posterior de la hoja de sierra pueden engancharse en la superficie de la pieza de trabajo. Esto provoca que la hoja de sierra se salga de la ranura de corte y que la herramienta salga despedida hacia atrás en dirección al usuario.

El rebote se debe a un uso incorrecto del herramienta eléctrica. Puede evitarse cumpliendo las medidas de seguridad pertinentes que se describen a continuación.

- ▶ Sujete la herramienta eléctrica firmemente con ambas manos manteniendo los brazos en una posición que le permita hacer frente a las fuerzas de rebote. Manténgase siempre a un lado de la hoja de sierra; nunca ponga la hoja de sierra alineada con su cuerpo. Si la herramienta eléctrica retrocede bruscamente al producirse un rebote, el usuario podrá controlar dicha fuerza de rebote siempre que haya tomado las precauciones adecuadas.
- ▶ Si la hoja de sierra se atasca o el trabajo se interrumpe, desconecte la herramienta eléctrica y espere hasta que la hoja de sierra se detenga. Nunca intente retirar la herramienta eléctrica de la pieza de trabajo ni tirar de ella hacia atrás mientras la hoja de sierra esté en funcionamiento, ya que de lo contrario puede rebotar. Detecte las causas que provocan que la hoja de sierra se atasque y corríjalas.
- ▶ Para continuar el trabajo con la herramienta eléctrica insertada en la pieza de trabajo, centre la hoja de sierra en la ranura y asegúrese de que los dientes de la sierra no estén enganchados en la pieza de trabajo. Si la hoja de sierra está atascada puede llegar a salirse de la pieza de trabajo o provocar un rebote al volver a poner en marcha la herramienta eléctrica.
- ▶ Apoye los hierros de armadura grandes para evitar el riesgo de rebote a causa del atasco de la hoja de sierra. Los hierros de armadura grandes pueden doblarse debido a su propio peso.
- ▶ No utilice hojas de sierra desafiladas o dañadas. Las hojas de sierra con dientes desafilados o desalineados provocan un aumento de la fricción, el atasco de la hoja de sierra y el rebote.

Manipulación y utilización segura de las herramientas eléctricas

- ▶ No utilice nunca el producto sin cubierta de la hoja de sierra.
- ▶ Apriete el útil de inserción y la brida de apriete correctamente. Si el útil de inserción y la brida de apriete no están bien ajustados, el útil de inserción puede soltarse del husillo debido al efecto de frenado del motor al reducir la velocidad tras la desconexión.
- ▶ Ajuste la potencia de avance al producto, a la hoja de sierra y a la pieza de trabajo. Esto evitará que la hoja de sierra se atasque y cause un rebote.
- ▶ No empiece a cortar hasta que el producto haya alcanzado la velocidad máxima. Tocar la pieza de trabajo con la hoja de sierra, antes de que el motor se ponga en marcha, sobrecarga y daña la hoja de sierra y puede causar lesiones graves.
- ▶ No corte materiales cuyo tamaño supere la capacidad de corte del producto.
- ▶ Asegúrese de que la hoja de sierra no esté deformada ni desgastada y de que no le falten segmentos ni tenga grietas. No utilice hojas de sierra que estén visiblemente dañadas o desgastadas. En estas circunstancias, el corte puede dañar la hoja de sierra y el depósito de virutas con adaptador e incluso provocar lesiones graves.
- ▶ Utilice únicamente hojas de sierra aprobadas para el producto que cumplan las indicaciones de los datos técnicos. El uso de la hoja de sierra para otras aplicaciones puede provocar un desgaste excesivo, aflojamiento de la hoja de sierra, bajo rendimiento de corte y calentamiento excesivo, cosa que puede causar daños a la hoja de sierra y lesiones graves.
- ▶ Utilice el producto únicamente para cortar el material especificado en el apartado uso conforme a las prescripciones → página 37.

Seguridad eléctrica

- ▶ Antes de empezar a trabajar, compruebe si la zona de trabajo oculta cables eléctricos, tuberías de gas o cañerías de agua. Las partes metálicas exteriores del producto pueden provocarle una descarga eléctrica o una explosión si se daña un cable eléctrico, una tubería de gas o una cañería de agua.
- ▶ Encargue una revisión periódica de los productos sucios al Servicio Técnico de **Hilti** en caso de tratar con frecuencia materiales conductores. El polvo adherido en la superficie de la herramienta eléctrica (sobre todo el de los materiales conductores) o la humedad pueden provocar descargas eléctricas cuando se den condiciones desfavorables.

Lugar de trabajo

- ▶ Las grietas en paredes portantes u otras estructuras pueden influir en la estática, especialmente al seccionar hierros de armadura o elementos portadores. Antes de comenzar a trabajar consulte con el ingeniero, arquitecto o persona responsable de la obra.



2.3 Manipulación y utilización segura de las baterías

- ▶ **Tenga en cuenta las siguientes indicaciones de seguridad para el manejo y el uso seguros de las baterías de Ion-Litio.** En caso de no respetarlas, puede llevar a irritación de la piel, lesiones corrosivas graves, quemaduras químicas, fuego o explosiones.
- ▶ Utilice las baterías solo si están en perfecto estado técnico.
- ▶ Manipule las baterías con cuidado a fin de evitar daños o escapes de líquido altamente peligroso para su salud.
- ▶ Las baterías no deben modificarse ni manipularse en ningún caso.
- ▶ Las baterías no se deben destruir, comprimir, calentar por encima de 80 °C (176 °F) o quemar.
- ▶ No utilice ni cargue baterías que hayan recibido algún golpe ni que estén dañadas de alguna otra forma. Compruebe con regularidad si las baterías presentan signos de daños.
- ▶ No utilice nunca baterías recicladas o reparadas.
- ▶ Nunca utilice la batería o una herramienta eléctrica de batería como herramienta de percusión.
- ▶ No exponga nunca las baterías a radiación solar directa, temperaturas elevadas, chispas o llamas abiertas. Esto puede provocar explosiones.
- ▶ No toque los polos de la batería con los dedos, con herramientas, con joyas o con otros objetos conductores de la electricidad. Esto puede dañar la batería y provocar otros daños materiales y lesiones.
- ▶ Mantenga las baterías alejadas de la lluvia, la humedad y los líquidos. Si entra humedad, pueden producirse cortocircuitos, descargas eléctricas, quemaduras, incendios y explosiones.
- ▶ Utilice únicamente cargadores y herramientas eléctricas concebidos para este tipo de baterías. Para ello, consulte las indicaciones recogidas en el manual de instrucciones correspondiente.
- ▶ No utilice ni almacene la batería en entornos con peligro de explosión.
- ▶ Si al tocar la batería detecta que está muy caliente, puede deberse a una avería en la misma. Coloque la batería en un lugar visible, no inflamable, a suficiente distancia de otros materiales inflamables. Deje que la batería se enfríe. Si, después de una hora, la herramienta sigue estando demasiado caliente para tocarla significa que está averiada. Diríjase al Servicio Técnico de **Hilti** o lea el documento «Indicaciones de seguridad y uso de las baterías de Ion-Litio de **Hilti**».



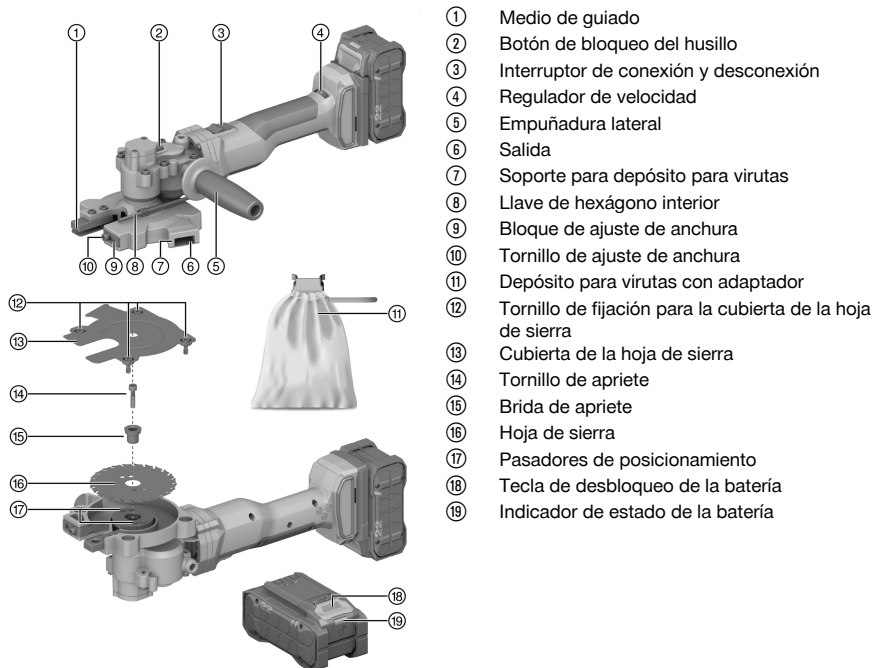
Tenga en cuenta las directivas especiales aplicables al transporte, almacenamiento y uso de las baterías de Ion-Litio. → página 43

Lea las instrucciones de seguridad y uso de las baterías de Ion-Litio de **Hilti**, que puede encontrar escaneando el código QR que se encuentra al final de estas instrucciones de uso.



3 Descripción

3.1 Vista general del producto 1



- ① Medio de guiado
- ② Botón de bloqueo del husillo
- ③ Interruptor de conexión y desconexión
- ④ Regulador de velocidad
- ⑤ Empuñadura lateral
- ⑥ Salida
- ⑦ Soporte para depósito para virutas
- ⑧ Llave de hexágono interior
- ⑨ Bloque de ajuste de anchura
- ⑩ Tornillo de ajuste de anchura
- ⑪ Depósito para virutas con adaptador
- ⑫ Tornillo de fijación para la cubierta de la hoja de sierra
- ⑬ Cubierta de la hoja de sierra
- ⑭ Tornillo de apriete
- ⑮ Brida de apriete
- ⑯ Hoja de sierra
- ⑰ Pasadores de posicionamiento
- ⑱ Tecla de desbloqueo de la batería
- ⑲ Indicador de estado de la batería

3.2 Uso conforme a las prescripciones

El producto descrito es un cortador de hierros de armadura accionado por batería. Se utiliza para el corte a ras o libre de hierros de armadura, barras roscadas de acero dulce, barras roscadas de acero dulce galvanizado en caliente y barras roscadas de acero inoxidable utilizadas en la construcción.

- Para este producto utilice únicamente baterías Li-Ion de la serie B 22 de **Hilti** Nuron. Para garantizar que este producto ofrece un rendimiento óptimo, **Hilti** recomienda utilizar las baterías indicadas en la tabla que encontrará al final de este manual de instrucciones.
- Para estas baterías utilice exclusivamente los cargadores **Hilti** de las series indicadas en la tabla que encontrará al final de este manual de instrucciones.

3.3 Suministro

Cortador de hierros de armadura, empuñadura lateral, hoja de sierra, cubierta de la hoja de sierra, llave de hexágono interior, depósito para virutas, manual de instrucciones

Encontrará otros productos del sistema autorizados para su producto en su **Hilti Store** o en Internet, en: www.hilti.group

3.4 Función de protección del motor

La función de protección del motor supervisa el consumo de corriente y el calentamiento del motor a fin de proteger el producto contra el sobrecalentamiento.

En caso de sobrecarga del motor a causa de una presión de apriete elevada, la potencia de la herramienta disminuye notablemente, o incluso puede producirse una parada.



En caso de que se produzca una parada o una reducción de la velocidad debido a una sobrecarga, deberá dejar libre de carga la herramienta y mantenerla durante aprox. 30 s en velocidad de giro en vacío.



3.5 Mostrar la batería Ion-Litio

Las baterías de Ion-Litio de **Hilti** Nuron pueden mostrar el estado de carga, los mensajes de error y el estado de la batería.

3.5.1 Visualización del estado de carga y de los mensajes de error

ADVERTENCIA

Riesgo de lesiones por la caída de la batería

- ▶ Con la batería colocada, asegúrese tras pulsar la tecla de desbloqueo de que la batería vuelva a encajar correctamente en el producto empleado.

Para recibir una de las siguientes indicaciones, pulse brevemente la tecla de desbloqueo de la batería. El estado de carga y las posibles averías también se muestran de forma permanente mientras el producto esté conectado.

Estado	Significado
Cuatro (4) LED encendidos permanentemente en verde	Estado de carga: 100 % a 71 %
Tres (3) LED encendidos permanentemente en verde	Estado de carga: 70 % a 51 %
Dos (2) LED se iluminan permanentemente en verde	Estado de carga: 50 % a 26 %
Un (1) LED está encendido permanentemente en verde	Estado de carga: 25 % a 10 %
Un (1) LED parpadea lentamente en verde	Estado de carga: < 10 %
Un (1) LED parpadea rápidamente en verde	La batería Ion-Litio está totalmente descargada. Cargue la batería. Si tras cargar la batería el LED sigue parpadeando rápidamente, diríjase al Servicio Técnico de Hilti .
Un (1) LED parpadea rápidamente en amarillo	La batería de Ion-Litio o el producto conectado a ella están sobrecargados, demasiado calientes, demasiado fríos o existe otro error. Ponga el producto y la batería en la temperatura de trabajo recomendada y no sobrecargue el producto durante su uso. Si sigue viendo el mensaje, diríjase al Servicio Técnico de Hilti .
Un (1) LED está encendido en amarillo	La batería Ion-Litio y el producto conectado a ella no son compatibles. Diríjase al servicio técnico de Hilti .
Un (1) LED parpadea rápidamente en rojo	La batería Ion-Litio está bloqueada y no puede seguir utilizándose. Diríjase al servicio técnico de Hilti .

3.5.2 Visualización del estado de la batería

Para consultar el estado de la batería, mantenga la tecla de desbloqueo pulsada durante más de tres segundos. El sistema no detecta un posible funcionamiento incorrecto de la batería debido a un mal uso, como caídas, hendiduras, daños por calor externo, etc.

Estado	Significado
Todos los LED se encienden como luz en movimiento y, a continuación, se enciende un (1) LED permanentemente en verde.	La batería puede seguir utilizándose.
Todos los LED se encienden como luz en movimiento y, a continuación, parpadea un (1) LED rápidamente en amarillo.	No se ha podido completar la consulta sobre el estado de la batería. Repita la operación o diríjase al Servicio Técnico de Hilti .



Estado	Significado
Todos los LED se encienden como luz en movimiento y, a continuación, parpadea un (1) LED permanentemente en rojo.	<p>Cuando un producto conectado puede seguir utilizándose, la capacidad restante de la batería es inferior al 50 %.</p> <p>Cuando un producto conectado ya no puede seguir utilizándose, la batería ha llegado al final de su vida útil y debe ser sustituida. Diríjase al servicio técnico de Hilti.</p>

4 Datos técnicos

4.1 Información del producto

Tensión nominal	21,6 V	
Peso	3,4 kg (7,50 lb) (sin batería)	
Dimensiones	490 mm × 142 mm × 156 mm (19,29 in × 5,59 in × 6,14 in)	
Capacidad de corte para hierros de armaduras	10 mm ... 25 mm (0,39 in ... 0,98 in)	
Velocidad de giro en vacío	Ajuste 1	1.000 rpm
	Ajuste 2	1.200 rpm
	Ajuste 3	1.400 rpm
	Ajuste 4	1.600 rpm
	Ajuste 5	1.800 rpm
	Ajuste 6	2.200 rpm
Diámetro de la hoja de sierra	110 mm (4,33 in)	
Temperatura ambiente en funcionamiento	-17 °C ... 60 °C (1,4 °F ... 140,0 °F)	
Temperatura de almacenamiento	-20 °C ... 70 °C (-4,0 °F ... 158,0 °F)	

4.2 Batería

Tensión de servicio de la batería	21,6 V
Peso batería	Véase al final del manual de instrucciones
Temperatura ambiente en funcionamiento	-17 °C ... 60 °C (1,4 °F ... 140,0 °F)
Temperatura de almacenamiento	-20 °C ... 40 °C (-4,0 °F ... 104,0 °F)
Temperatura de la batería al comenzar la carga	-10 °C ... 45 °C (14,0 °F ... 113,0 °F)

5 Preparación del trabajo

ADVERTENCIA

Riesgo de lesiones por arranque involuntario.

- ▶ Antes de insertar la batería, asegúrese de que el producto correspondiente esté desconectado.
- ▶ Retire la batería antes de realizar ajustes en la herramienta o de cambiar accesorios.

Respete las indicaciones de seguridad y las advertencias presentes en esta documentación y en el producto.



5.1 Carga de la batería

1. Antes de cargarla, lea el manual de instrucciones del cargador.
2. Asegúrese de que los contactos de la batería y del cargador estén limpios y secos.
3. Cargue la batería en un cargador autorizado. → página 37

5.2 Colocación de la batería

ADVERTENCIA

Riesgo de lesiones por cortocircuito o caída de la batería.

- ▶ Antes de insertar la batería, asegúrese de que los contactos de la batería y del producto estén libres de cuerpos extraños.
- ▶ Asegúrese de que la batería encaje siempre correctamente.

1. Cargue por completo la batería antes de la primera puesta en servicio.
2. Introduzca la batería en el producto hasta que encaje de forma audible.
3. Compruebe que la batería está bien colocada.

5.3 Extracción de la batería

1. Pulse la tecla de desbloqueo de la batería.
2. Retire la batería del producto.

5.4 Desmontaje de la hoja de sierra

ADVERTENCIA

Peligro de quemaduras y cortes en la hoja de sierra, el tornillo de apriete y la brida de apriete Como consecuencia pueden producirse quemaduras y lesiones por cortes.

- ▶ Utilice guantes de protección para cambiar la hoja de sierra.
1. Afloje los 4 tornillos de fijación de la cubierta de la hoja de sierra con la llave de hexágono interior.
 2. Fije la llave de hexágono interior en el tornillo de apriete de la brida de apriete.
 3. Pulse el botón de bloqueo del husillo y gire la hoja de sierra con la llave de hexágono interior hasta que el botón de bloqueo del husillo impida seguir girando.
 4. Con la hoja de sierra bloqueada, gire ahora la llave de hexágono interior en sentido antihorario para aflojar y retirar el tope de profundidad.
 5. Retire la brida de apriete y la hoja de sierra.

5.5 Sustitución de la hoja de sierra

Utilice únicamente la hoja de sierra **Hilti** NRC Xcut 110/4.3". Utilice las hojas de sierra únicamente si se encuentra en perfecto estado.

1. Inserte la hoja de sierra en el husillo de accionamiento. Asegúrese de que los cuatro pasadores de posicionamiento del husillo de accionamiento están asentados en los orificios de la hoja de sierra.



Compruebe los dientes de la sierra, los ajustes del aparato y el sentido de giro. No utilice hojas de sierra cuyos dientes estén desgastados a menos de 1 mm.

2. Fije una nueva brida de apriete.
3. Fije el nuevo tornillo de apriete.
4. Pulse el botón de bloqueo del husillo a fondo y apriete el tornillo con la llave de hexágono interior.



Asegúrese de que el botón de bloqueo del husillo esté completamente presionado. De lo contrario, la hoja de sierra podría girar y causar lesiones.

5. Fije la nueva cubierta de la hoja de sierra con 4 tornillos y apriételos con la llave de hexágono interior.



5.6 Protección frente a caídas

ADVERTENCIA

Riesgo de lesiones por caída de herramientas o accesorios.

- ▶ Utilice únicamente la cuerda de amarre para herramientas **Hilti** recomendada para su producto.
- ▶ Antes de cada uso, compruebe que el punto de fijación de la cuerda de amarre para herramientas no presente posibles daños.

Tenga en cuenta las directivas nacionales para trabajos en altura.

Para este producto, utilice únicamente como protección frente a caídas una combinación de la protección anticaídas #2293133 de **Hilti** con la cuerda de amarre para herramientas #2261970 de **Hilti**.

- ▶ Fije la protección anticaídas a las aberturas de montaje para accesorios. Compruebe que quede fijada de forma segura.
- ▶ Fije un mosquetón de la cuerda de amarre para herramientas a la protección anticaídas y el segundo mosquetón a una estructura portante. Compruebe que ambos mosquetones queden fijados de forma segura.

Tenga en cuenta los manuales de instrucciones de la protección anticaídas de **Hilti** y de la cuerda de amarre para herramientas de **Hilti**.

5.7 Fijación o extracción del depósito de virutas

1. Para colocarlo, deslice el adaptador del depósito de virutas sobre el soporte del depósito de virutas hasta que se oiga un clic.
2. Para retirarlo, suelte ambas abrazaderas del adaptador del depósito de virutas tirando de ellas ligeramente hacia fuera.

5.8 Montaje de la empuñadura lateral

- ▶ Atornille la empuñadura lateral en uno de los orificios roscados.

5.9 Ajuste del ancho de apertura

1. Afloje el tornillo de ajuste de la anchura.
2. Deslice el bloque de ajuste de anchura hacia la izquierda o la derecha para obtener el ancho de apertura deseado.

6 Manejo

Respete las indicaciones de seguridad y las advertencias presentes en esta documentación y en el producto.

6.1 Conexión

PRECAUCIÓN

Riesgo de lesiones Pérdida de control del producto.

- ▶ Antes de utilizar el producto, asegúrese de que la empuñadura lateral, la brida de apriete, la cubierta de la hoja de sierra y los tornillos de fijación de la cubierta de la hoja de sierra y todos los demás tornillos estén bien apretados.

1. Presione la parte posterior del interruptor de conexión y desconexión.
2. Empuje el interruptor de conexión y desconexión hacia delante.
 - ▶ El motor funciona.
3. Bloquee el interruptor de conexión y desconexión.



6.2 Cortar los hierros de armadura

ADVERTENCIA

Riesgo de lesiones Una ubicación o velocidad incorrectas pueden causar lesiones graves y dañar el sistema electrónico del motor.

- ▶ Ralentice el movimiento de avance (movimiento de corte) tanto al principio como al final del proceso de corte.
- ▶ Sujete firmemente el producto para que no vibre durante el corte.
- ▶ No empiece a cortar inmediatamente después de conectar el motor. Antes del corte, haga funcionar la hoja de sierra a la velocidad máxima.
- ▶ No toque las piezas giratorias, ya que podría sufrir lesiones graves.
- ▶ No corte los hierros de armadura con un diámetro inferior a 4 mm.
- ▶ No corte los hierros de armadura de menos de 10 mm de longitud, ya que el recorte puede quedar atascado entre la hoja de sierra y la cubierta y causar daños y lesiones graves.

1. Asegúrese de que el interruptor **O** está en posición **(1)**.
2. Seleccione el ajuste adecuado para el corte que se va a llevar a cabo **(2)**.



El ajuste 6 tiene la velocidad de corte más alta. Seleccione un ajuste más bajo para reducir las chispas que saltan.

3. Conecte el producto. → página 41
4. Coloque la guía firmemente contra los hierros de armadura. Empuje lentamente el producto hacia delante para empezar a cortar el hierro **(4)**.
5. Una vez finalizado el corte, desconecte el producto. → página 42

6.3 Desconexión

- ▶ Presione la parte posterior del interruptor de conexión y desconexión.
 - ▶ El interruptor de conexión y desconexión pasa a la posición de desconexión y el motor se detiene.

7 Cuidado y mantenimiento

ADVERTENCIA

Riesgo de lesiones con la batería colocada !

- ▶ Extraiga siempre la batería antes de llevar a cabo tareas de cuidado y mantenimiento.

Cuidado del producto

- Elimine con precaución la suciedad fuertemente adherida.
- Las rejillas de ventilación, si las hay, deben limpiarse con cuidadosamente con un cepillo seco y suave.
- Limpie la carcasa solo con un paño ligeramente humedecido. No utilice productos de limpieza que contengan silicona, ya que podrían dañar las piezas de plástico.
- Utilice un paño limpio y seco para limpiar los contactos del producto.

Cuidado de las baterías de Ion-Litio

- No utilice nunca una batería con las rejillas de ventilación obstruidas. Limpie cuidadosamente las rejillas de ventilación con un cepillo seco y suave.
- Evite la exposición innecesaria de la batería al polvo o la suciedad. No exponga nunca la batería a altos niveles de humedad (por ejemplo, sumergiéndola en agua o dejándola bajo la lluvia).
Si penetra agua en la batería, trátela como una batería dañada. Aíslela en un recipiente no inflamable y póngase en contacto con el Servicio Técnico de **Hilti**.
- Mantenga la batería limpia de aceite o grasa. No permita la acumulación innecesaria de polvo o suciedad en la batería. Limpie la batería con un cepillo seco y suave o con un paño limpio y seco. No utilice productos de limpieza que contengan silicona, ya que podrían dañar las piezas de plástico.
No toque los contactos de la batería y no elimine de los contactos la grasa aplicada de fábrica.
- Limpie la carcasa solo con un paño ligeramente humedecido. No utilice productos de limpieza que contengan silicona, ya que podrían dañar las piezas de plástico.



Mantenimiento

ADVERTENCIA

Riesgo de descarga eléctrica. Las reparaciones indebidas en componentes eléctricos pueden producir lesiones graves y quemaduras.

- ▶ Las reparaciones de la parte eléctrica sólo puede llevarlas a cabo un técnico electricista cualificado.
- Compruebe con regularidad que las piezas visibles no estén dañadas y los elementos de manejo funcionen correctamente.
- No utilice el producto si presenta daños o fallos que afecten al funcionamiento. Encargue inmediatamente la reparación del producto al Servicio Técnico de **Hilti**.
- Tras las tareas de cuidado y mantenimiento, coloque todos los dispositivos de protección y asegúrese de que funcionen correctamente.



Para garantizar un correcto funcionamiento, utilice exclusivamente piezas de repuesto, material de consumo y accesorios originales. Las piezas de repuesto, los materiales de consumo y los accesorios autorizados por **Hilti** se pueden consultar en su **Hilti Store** o en: www.hilti.group

8 Transporte y almacenamiento

Transporte de baterías y herramientas a batería

PRECAUCIÓN

Arranque involuntario en el transporte !

- ▶ Transporte sus productos siempre sin batería.
- ▶ Extraiga la(s) batería(s).
- ▶ Nunca transporte las baterías sin embalaje. Durante el transporte, las baterías deben estar protegidas frente a vibraciones y golpes excesivos y aisladas de todo material conductor y de otras baterías para que no entren en contacto con los polos de otras baterías y causen un cortocircuito. **Tenga en cuenta las normativas locales sobre el transporte de baterías.**
- ▶ Las baterías no deben enviarse por correo. Diríjase a una empresa de transporte si quiere enviar baterías no dañadas.
- ▶ Compruebe si el producto o las baterías están dañados antes de cada uso y antes y después de un transporte prolongado.

Almacenamiento de baterías y herramientas a batería

ADVERTENCIA

Daños imprevistos debido a una batería defectuosa o agotada !

- ▶ Guarde su productos siempre sin batería.
- ▶ Guarde el producto y las baterías en un lugar fresco y seco. Tenga en cuenta los valores límite de temperatura que figuran en los datos técnicos.
- ▶ No almacene las baterías en el cargador. Extraiga siempre la batería del cargador después del proceso de carga.
- ▶ No guarde nunca las baterías en un lugar expuesto al sol, a fuentes de calor o detrás de un cristal.
- ▶ Guarde el producto y las baterías fuera del alcance de niños y personas no autorizadas.
- ▶ Compruebe si el producto o las baterías están dañados antes de cada uso y antes y después de un almacenamiento prolongado.

9 Ayuda en caso de averías

En caso de producirse una avería, compruebe el indicador de estado de la batería. Véase el capítulo **Mostrar la batería de Ion-Litio** → página 38.

Si se producen averías que no estén incluidas en esta tabla o que no pueda solucionar usted, diríjase al Servicio Técnico de **Hilti**.

Anomalía	Posible causa	Solución
No se puede encender el producto.	La batería está descargada.	▶ Cambie la batería y recargue la batería vacía.



Anomalia	Posible causa	Solución
La batería se descarga con mayor rapidez que de costumbre.	Temperatura ambiente demasiado baja.	▶ Deje que la batería alcance poco a poco la temperatura ambiente.
La batería no se enclava con un «clic» audible.	La lengüeta de la batería está sucia.	▶ Limpie la lengüeta y vuelva a colocar la batería.
Sin función de frenado del motor.	La batería está descargada.	▶ Cambie la batería y recargue la batería vacía.
	El producto está sobrecargado brevemente.	▶ Desconecte y vuelva a conectar el producto.

10 Reciclaje

ADVERTENCIA

Riesgo de lesiones por un reciclaje indebido. Riesgo para la salud debido a escapes de gases o líquidos.

- ▶ No envíe baterías dañadas bajo ningún concepto.
- ▶ Cubra las conexiones con un material no conductor para evitar cortocircuitos.
- ▶ Deshágase de las baterías de tal forma que no terminen en manos de niños.
- ▶ Elimine la batería en su **Hilti Store** o diríjase a su empresa de desechos.

Los productos **Hilti** están fabricados en su mayor parte con materiales reutilizables. La condición para dicha reutilización es una separación adecuada de los materiales. En muchos países, **Hilti** recoge las herramientas usadas para su recuperación. Pregunte al Servicio de Atención al Cliente de **Hilti** o a su asesor de ventas.



- ▶ No deseche las herramientas eléctricas, los aparatos eléctricos ni las baterías junto con los residuos domésticos.

11 Garantía del fabricante

- ▶ Si tiene alguna consulta acerca de las condiciones de la garantía, póngase en contacto con su sucursal local de **Hilti**.

12 Más información

Encontrará información adicional sobre manejo, técnica, medioambiente y reciclaje en el siguiente enlace: qr.hilti.com/manual/?id=2412811

Encontrará este enlace también al final de la documentación como código QR.

Manual de instruções original

1 Indicações sobre o Manual de instruções

1.1 Relativamente a este Manual de instruções

- **Aviso!** Antes de utilizar o produto, certifique-se de que leu e compreendeu o Manual de instruções fornecido com o produto incluindo as instruções, instruções de segurança e advertências, figuras e especificações. Familiarize-se sobretudo com todas as instruções, instruções de segurança e advertências, figuras, especificações, bem como com componentes e funções. Em caso de incumprimento existe perigo de choque eléctrico, incêndio e/ou ferimentos graves. Guarde o Manual de instruções incluindo todas as instruções, instruções de segurança e advertências para utilização posterior.
- Os produtos **HILTI** destinam-se ao utilizador profissional e só podem ser operados, mantidos e reparados por pessoal autorizado, devidamente qualificado. Estas pessoas deverão estar informadas em particular sobre os potenciais perigos. O produto e seu equipamento auxiliar podem representar perigo se usados incorrectamente por pessoas não qualificadas ou se usados para fins diferentes daqueles para os quais foram concebidos.



- O Manual de instruções fornecido corresponde ao actual avanço tecnológico no momento da impressão. Encontra a versão actual sempre online, na página de produtos Hilti. Para o efeito, siga a hiperligação ou o código QR neste Manual de instruções, identificado com o símbolo
- Entregue o produto a outras pessoas apenas juntamente com o Manual de instruções.

1.2 Explicação dos símbolos

1.2.1 Advertências

As advertências alertam para perigos durante a utilização do produto. São utilizadas as seguintes palavras de aviso:

PERIGO

PERIGO !

- ▶ Indica perigo iminente que pode originar acidentes pessoais graves ou até mesmo fatais.

AVISO

AVISO !

- ▶ Indica um possível perigo que pode causar graves ferimentos pessoais, até mesmo fatais.

CUIDADO

CUIDADO !

- ▶ Indica uma situação potencialmente perigosa que pode originar ferimentos corporais ou danos materiais.

1.2.2 Símbolos no manual de instruções

Neste manual de instruções são utilizados os seguintes símbolos:

	Consultar o manual de instruções
	Instruções de utilização e outras informações úteis
	Manuseamento com materiais recicláveis
	Não deitar as ferramentas eléctricas e baterias no lixo doméstico
	Bateria de iões de lítio Hilti
	Carregador Hilti

1.2.3 Símbolos nas figuras

Em figuras são utilizados os seguintes símbolos:

	Estes números remetem para a figura respectiva no início do presente manual de instruções.
3	A numeração nas imagens indica passos de trabalho importantes ou componentes importantes para os passos de trabalho. No texto, estes passos de trabalho ou componentes são realçados com os respectivos números, p. ex. (3) .
	Na figura Vista geral são utilizados números de posição que fazem referência aos números da legenda na secção Vista geral do produto .
	Este símbolo pretende despertar a sua atenção durante o manuseamento do produto.

1.3 Símbolos no produto

1.3.1 Símbolos gerais

No produto, podem usar-se os seguintes símbolos:

n_0	Velocidade de rotação em vazio
-------	--------------------------------



	Rotações por minuto
RPM	Rotações por minuto
	Diâmetro
	Lâmina de serra
	Corrente contínua
	O produto suporta a tecnologia NFC que é compatível com plataformas iOS e Android.
Li-Ion	Bateria de íões de lítio
	Nunca utilize a bateria como ferramenta de percussão.
	Não deixe cair a bateria. Não utilize baterias que tenham recebido uma pancada ou que estejam, de outra forma, danificadas.
	Série utilizada da bateria de íões de lítio Hilti . Tenha em atenção as indicações no capítulo Utilização conforme a finalidade projectada .
	Se existente no produto, isso significa que o produto foi certificado por este organismo de certificação para o mercado americano e canadiano de acordo com as normas em vigor.

1.3.2 Sinais de aviso

Os sinais de aviso alertam para perigos.

	Não coloque as suas mãos na lâmina de serra
--	---

1.3.3 Sinais de obrigação

Os sinais de obrigação indicam medidas obrigatórias.

	Trabalhe sempre com as duas mãos.
	Utilizar óculos de protecção

1.4 Dados informativos sobre o produto

Os produtos destinam-se ao utilizador profissional e só podem ser operados, mantidos e reparados por pessoal autorizado, devidamente qualificado. Estas pessoas deverão estar informadas em particular sobre os potenciais perigos. O produto e seu equipamento auxiliar podem representar perigo se usados incorrectamente por pessoas não qualificadas ou se usados para fins diferentes daqueles para os quais foram concebidos.

A designação e o número de série são indicados na placa de características.

- ▶ Registe o número de série na tabela seguinte. Precisa dos dados do produto para colocar questões ao nosso representante ou posto de serviço de atendimento aos clientes.

Dados do produto

Cortador de ferro da armadura	NRC 6-22
Geração	01
N.º de série	



2 Segurança

2.1 Normas de segurança gerais para ferramentas eléctricas

⚠ AVISO Leia todas as normas de segurança, instruções, imagens e dados técnicos, com os quais esta ferramenta eléctrica está equipada. O não cumprimento das instruções a seguir pode resultar em choque eléctrico, incêndio e/ou ferimentos graves.

Guarde bem todas as normas de segurança e instruções para futura referência.

O termo "ferramenta eléctrica" utilizado nas normas de segurança refere-se a ferramentas com ligação à corrente eléctrica (com cabo de alimentação) ou a ferramentas a bateria (sem cabo).

Segurança no posto de trabalho

- ▶ **Mantenha a sua área de trabalho limpa e bem iluminada.** Locais desarrumados ou mal iluminados podem ocasionar acidentes.
- ▶ **Não utilize a ferramenta eléctrica em ambientes explosivos ou na proximidade de líquidos ou gases inflamáveis.** Ferramentas eléctricas produzem faíscas que podem provocar a ignição de pó e vapores.
- ▶ **Mantenha crianças e terceiros afastados durante os trabalhos.** Distacções podem conduzir à perda de controlo sobre a ferramenta.

Segurança eléctrica

- ▶ **A ficha da ferramenta eléctrica deve servir na tomada. A ficha não deve ser modificada de modo algum. Não utilize quaisquer adaptadores com ferramentas eléctricas com ligação terra.** Fichas originais (não modificadas) e tomadas adequadas reduzem o risco de choque eléctrico.
- ▶ **Evite o contacto do corpo com superfícies ligadas à terra, como, por exemplo, canos, radiadores, fogões e frigoríficos.** Existe um risco elevado de choque eléctrico se o corpo estiver com ligação à terra.
- ▶ **As ferramentas eléctricas não devem ser expostas à chuva nem à humidade.** A infiltração de água numa ferramenta eléctrica aumenta o risco de choque eléctrico.
- ▶ **Não use o cabo de ligação para transportar, pendurar ou desligar a ferramenta eléctrica da tomada. Mantenha o cabo de ligação afastado de calor, óleo, arestas vivas ou partes em movimento.** Cabos de ligação danificados ou emaranhados aumentam o risco de choque eléctrico.
- ▶ **Quando operar uma ferramenta eléctrica ao ar livre, utilize apenas cabos de extensão próprios para utilização no exterior.** A utilização de um cabo de extensão próprio para utilização no exterior reduz o risco de choques eléctricos.
- ▶ **Utilize um disjuntor diferencial se não puder ser evitada a utilização da ferramenta eléctrica em ambiente húmido.** A utilização de um disjuntor diferencial reduz o risco de choque eléctrico.

Segurança física

- ▶ **Esteja alerta, observe o que está a fazer, e tenha prudência ao trabalhar com uma ferramenta eléctrica. Se estiver cansado ou sob influência de drogas, álcool ou medicamentos não efectue nenhum trabalho com ferramentas eléctricas.** Um momento de distracção ao operar a ferramenta eléctrica pode causar ferimentos graves.
- ▶ **Use equipamento de segurança. Use sempre óculos de protecção.** Equipamento de segurança, como, por exemplo, máscara antipoeiras, sapatos de segurança antiderrapantes, capacete de segurança ou protecção auricular, de acordo com o tipo e aplicação da ferramenta eléctrica, reduzem o risco de lesões.
- ▶ **Evite um arranque involuntário. Assegure-se de que a ferramenta eléctrica está desligada antes de a ligar à fonte de alimentação e/ou à bateria, pegar nela ou a transportar.** Transportar a ferramenta eléctrica com o dedo no interruptor ou ligar uma ferramenta à tomada com o interruptor ligado (ON) pode resultar em acidentes.
- ▶ **Remova quaisquer chaves de ajuste (chaves de fenda), antes de ligar a ferramenta eléctrica.** Um acessório ou chave deixado preso numa parte rotativa da ferramenta pode causar ferimentos.
- ▶ **Evite posturas corporais desfavoráveis. Mantenha sempre uma posição correcta, em perfeito equilíbrio.** Desta forma será mais fácil manter o controlo sobre a ferramenta eléctrica em situações inesperadas.
- ▶ **Use roupa apropriada. Não use roupa larga ou jóias. Mantenha o cabelo, vestuário e luvas afastados das peças móveis.** Roupas largas, jóias ou cabelos compridos podem ficar presos nas peças móveis.
- ▶ **Se poderem ser montados sistemas de remoção e de recolha de pó, assegure-se de que estes estão ligados e são utilizados correctamente.** A utilização de um sistema de remoção de pó pode reduzir os perigos relacionados com a exposição ao mesmo.



- ▶ **Não se acomode numa falsa sensação de segurança e não ignore os regulamentos de segurança para ferramentas eléctricas, mesmo se estiver familiarizado com a ferramenta eléctrica após numerosas utilizações.** Agir de forma descuidada pode causar ferimentos graves dentro duma fracção de segundo.

Utilização e manuseamento da ferramenta eléctrica

- ▶ **Não sobrecarregue a ferramenta. Use para o seu trabalho a ferramenta eléctrica correcta.** Com a ferramenta eléctrica adequada obterá maior eficiência e segurança se respeitar os seus limites.
- ▶ **Não utilize a ferramenta eléctrica se o interruptor estiver defeituoso.** Uma ferramenta eléctrica que já não possa ser accionada pelo interruptor é perigosa e deve ser reparada.
- ▶ **Retire a ficha da tomada e/ou remova uma bateria amovível antes de efectuar ajustes na ferramenta, substituir acessórios ou guardar a ferramenta.** Esta medida preventiva evita o accionamento accidental da ferramenta eléctrica.
- ▶ **Guarde ferramentas eléctricas não utilizadas fora do alcance das crianças. Não permita que a ferramenta seja utilizada por pessoas não familiarizadas com a mesma ou que não tenham lido estas instruções.** Ferramentas eléctricas operadas por pessoas não treinadas são perigosas.
- ▶ **Faça uma manutenção regular de ferramentas eléctricas e acessórios. Verifique se as partes móveis funcionam perfeitamente e não emperram ou se há peças quebradas ou danificadas que possam influenciar o funcionamento da ferramenta eléctrica. Peças danificadas devem ser reparadas antes da utilização da ferramenta.** Muitos acidentes são causados por ferramentas eléctricas com manutenção deficiente.
- ▶ **Mantenha as ferramentas de corte sempre afiadas e limpas.** Acessórios com gumes afiados tratados correctamente emperram menos e são mais fáceis de controlar.
- ▶ **Utilize a ferramenta eléctrica, acessórios, bits, etc., de acordo com estas instruções. Tome também em consideração as condições de trabalho e o trabalho a ser efectuado.** A utilização da ferramenta eléctrica para outros fins além dos previstos, pode ocasionar situações de perigo.
- ▶ **Mantenha punhos e respectivas superfícies secos, limpos e isentos de óleo e gordura.** Punhos e superfícies afins escorregadios não permitem um manuseamento e controlo seguro da ferramenta eléctrica em situações imprevistas.

Utilização e manuseamento da ferramenta a bateria

- ▶ **Apenas deverá carregar as baterias em carregadores recomendados pelo fabricante.** Num carregador adequado para um determinado tipo de baterias existe perigo de incêndio se for utilizado para outras baterias.
- ▶ **Nas ferramentas eléctricas utilize apenas as baterias previstas.** A utilização de outras baterias pode causar ferimentos e riscos de incêndio.
- ▶ **Quando a bateria não estiver em uso, mantenha-a afastada de outros objectos de metal, como, por exemplo, cliques, moedas, chaves, pregos, parafusos, ou outros pequenos objectos metálicos que possam ligar em ponte os contactos.** Um curto-circuito entre os contactos da bateria pode causar queimaduras ou incêndio.
- ▶ **Utilizações inadequadas podem provocar derrame do líquido da bateria. Evite o contacto com este líquido. No caso de contacto accidental, enxágue imediatamente com água. Se o líquido entrar em contacto com os olhos, procure auxílio médico.** O líquido que escorre da bateria pode provocar irritações ou queimaduras da pele.
- ▶ **Não utilize uma bateria danificada ou modificada.** Baterias danificadas ou modificadas podem ter um comportamento imprevisível e causar fogo, explosão ou risco de ferimentos.
- ▶ **Não exponha uma bateria ao fogo ou a temperaturas excessivas.** Fogo e temperaturas superiores a 130 °C (265 °F) podem provocar uma explosão.
- ▶ **Cumpra todas as instruções sobre o carregamento e nunca carregue a bateria ou a ferramenta a bateria fora da faixa de temperaturas indicada no manual de instruções.** O carregamento errado ou fora da faixa de temperaturas permitida pode destruir a bateria e aumentar o risco de incêndio.

Manutenção

- ▶ **A sua ferramenta eléctrica só deve ser reparada por pessoal qualificado e só devem ser utilizadas peças sobressalentes originais.** Isto assegurará que a segurança da ferramenta se mantenha.
- ▶ **Nunca faça a manutenção de baterias danificadas.** Qualquer manutenção de baterias só deverá ser realizada pelo fabricante ou serviços de assistência técnica autorizados.

2.2 Normas de segurança adicionais

Segurança física

- ▶ Nunca efectue quaisquer manipulações ou modificações no produto ou nos acessórios.



- ▶ Segure o produto sempre com as duas mãos nos punhos previstos para o efeito. Mantenha os punhos secos, limpos e isentos de óleos e massas.
- ▶ Faça frequentemente pausas e exercícios para melhorar a circulação sanguínea nos dedos. Os trabalhos mais longos, devido às intensas vibrações, podem causar distúrbios nos vasos sanguíneos ou no sistema nervoso dos dedos, mãos ou pulsos.
- ▶ O produto não foi concebido para pessoas debilitadas, sem formação. Mantenha o produto fora do alcance das crianças.
- ▶ Pó produzido ao rectificar, lixar, cortar e furar pode conter produtos químicos perigosos. Alguns exemplos são: Chumbo ou tintas à base de chumbo; Tijolo, betão e outros produtos de alvenaria, pedra natural e outros produtos que contenham silicatos; Determinadas madeiras, como carvalho, faia e madeira tratada quimicamente; Amianto ou materiais contendo amianto. Determine a exposição do operador e das pessoas que se encontrem nas proximidades através da classe de perigo dos materiais a serem trabalhados. Tome as medidas necessárias para manter a exposição a um nível seguro como, por ex., a utilização de um sistema colector de pó ou o uso de uma protecção respiratória adequada. As medidas gerais para redução da exposição incluem:
 - ▶ Trabalhar num local bem ventilado,
 - ▶ Evitar o contacto prolongado com pó,
 - ▶ Afastar o pó do rosto e do corpo,
 - ▶ Usar roupa de protecção e lavar áreas expostas com água e sabão.
- ▶ Durante o utilização do produto, o utilizador e as pessoas que se encontrem na proximidade devem usar óculos de protecção, capacete de protecção, protecção auditiva e protecção respiratória.
- ▶ Risco de ferimentos devido a queda de ferramentas e/ou acessórios. Antes de iniciar os trabalhos, verifique se a bateria e os acessórios montados estão realmente fixos.
- ▶ Mantenha sempre as saídas de ar desobstruídas. Risco de queimaduras devido a saídas de ar tapadas!
- ▶ Ligue o produto somente quando o tiver colocado na posição de trabalho.
- ▶ Aguarde até que o produto esteja parado, antes de o pousar.
- ▶ Não prenda nenhum gancho de cinto a este produto.
- ▶ Não toque na cabeça metálica enquanto o produto estiver a funcionar pois está quente.
- ▶ Após o corte do material, não toque na superfície de corte quente.
- ▶ A lâmina de serra e outras peças metálicas podem estar quentes ou afiadas. Use luvas de protecção durante a substituição da lâmina de serra, ao esvaziar o colector de aparas e ao limpar as saídas de ar.
- ▶ Não segure a peça com a mão, utilize um torno de bancada ou um equipamento similar, para evitar movimentos durante o corte. Se a peça se mover ou vibrar, a operação torna-se instável e de difícil controlo. Interrompa imediatamente a operação e fixe correctamente a peça, caso contrário a lâmina de serra ficará danificada e poderão ocorrer ferimentos graves.
- ▶ Fixe a peça de modo a que as secções não caiam e possam causar ferimentos.
- ▶ As aparas de metal e as faíscas resultantes do processo de corte podem danificar a área envolvente ou provocar um incêndio. As aparas de metal quentes podem derreter o material do colector de aparas. Não utilize o produto na proximidade de materiais inflamáveis ou sensíveis.
- ▶ Antes de trabalhos em altura deve ser montado o colector de aparas. Caso contrário, as aparas que caem podem provocar queimaduras no operador e nas pessoas que se encontrem nas proximidades.
- ▶ Não utilize o colector de aparas se este estiver danificado. Fragmentos da lâmina de serra ou de serradura podem cair para fora do colector de aparas e provocar ferimentos.
- ▶ Ao efectuar trabalhos em altura tenha atenção para que não haja ninguém por baixo de si. A queda de secções, materiais ou produtos pode causar acidentes.
- ▶ Durante o funcionamento não devem ocorrer quaisquer ruídos ou vibrações anormais. Um funcionamento com ruídos ou vibrações anormais pode causar danos na lâmina de serra e ferimentos graves.
- ▶ As aparas de metal têm arestas vivas e podem causar ferimentos. Use vestuário justo, de modo a evitar a entrada de aparas nas luvas, nos sapatos ou outros locais.

Coice - causas e respectivas normas de segurança

- Um contragolpe é a reacção repentina de uma lâmina de serra que prende, bloqueia ou está mal alinhada, o que faz com que a ferramenta eléctrica se mova descontroladamente da peça em direcção ao operador.
- Se a lâmina de serra encravar ou prender na ranhura de corte, a lâmina bloqueia e a força do motor impulsiona a serra na direcção do operador.
- Quando se desalinha ou se orienta incorrectamente a lâmina de serra na ranhura de corte, os dentes do rebordo posterior da mesma podem engatar-se na superfície da peça, o que faz com que a lâmina de serra saia disparada da ranhura de corte e a serra ressalte na direcção do operador.



Um contragolpe é a consequência de uma utilização errada ou incorrecta da ferramenta eléctrica. Este pode ser evitado através de precauções adequadas, como descrito a seguir.

- ▶ Segure a ferramenta eléctrica com ambas as mãos, colocando os braços numa posição em que possa absorver as forças do contragolpe. Mantenha-se sempre na lateral da lâmina de serra; nunca coloque a lâmina de serra alinhada com o seu corpo. No caso de um contragolpe, a ferramenta eléctrica pode saltar para trás, mas o operador pode dominar as forças do contragolpe através de medidas de precaução adequadas.
- ▶ Caso interrompa o trabalho ou a lâmina de serra encrave, desligue a ferramenta eléctrica e segure-a com calma dentro do material, até a lâmina de serra ficar imobilizada. Nunca tente retirar a ferramenta eléctrica da peça ou puxá-la para trás enquanto a lâmina de serra estiver em movimento, caso contrário, pode ocorrer um contragolpe. Determine e corrija a causa de a lâmina de serra encravar.
- ▶ Se pretender reiniciar uma ferramenta eléctrica que está presa na peça, centre a lâmina de serra na ranhura de corte e certifique-se de que os dentes de serra não estão encravados na peça. Se a lâmina de serra ficar encravada, pode sair disparada da peça ou provocar um contragolpe, quando se volta a ligar a ferramenta eléctrica.
- ▶ Escolha ferros da armadura grandes, a fim de diminuir o perigo de um contragolpe devido a uma lâmina de serra bloqueada. Ferros da armadura grandes podem flectir devido ao seu próprio peso.
- ▶ Não utilize lâminas de serra embotadas ou danificadas. As lâminas de serra com dentes rombos ou desalinhados provocam maior fricção, encravamento da lâmina de serra e contragolpe.

Utilização e manutenção de ferramentas eléctricas

- ▶ Nunca utilize o produto sem cobertura da lâmina de serra.
- ▶ Aperte firmemente o acessório e o flange de aperto. Se o acessório e o flange de aperto não estiverem bem encaixados, o acessório pode soltar-se do veio devido ao efeito de travagem do motor ao abrandar depois de desligar.
- ▶ Adapte a força de avanço do produto à lâmina de serra e à peça. Deste modo, evita que a lâmina de serra bloqueie e, eventualmente, provoque um coice.
- ▶ Inicie o corte somente quando o produto tiver atingido o número máximo de rotações. O contacto da peça com a lâmina de serra antes do arranque do motor sobrecarrega e danifica a lâmina de serra e pode causar ferimentos graves.
- ▶ Não corte materiais cujo tamanho exceda a capacidade de corte do produto.
- ▶ Certifique-se de que a lâmina de serra não está deformada ou desgastada e se não tem segmentos em falta ou fissuras. Não utilize lâminas de serra visivelmente danificadas ou desgastadas. O corte pode, eventualmente, danificar a lâmina de serra e o colectador de aparas com adaptador e até causar ferimentos graves.
- ▶ Utilize apenas lâminas de serra aprovadas para o produto e que correspondam às especificações nos dados técnicos. A utilização da lâmina de serra para outras aplicações pode causar desgaste excessivo, desprendimento da lâmina de serra, baixa capacidade de corte e aquecimento excessivo, o que pode provocar danos na lâmina de serra e ferimentos graves.
- ▶ Utilize o produto somente para cortar material como indicado na secção Utilização conforme a finalidade projectada → Página 52.

Segurança eléctrica

- ▶ Antes de iniciar os trabalhos, verifique o local de trabalho relativamente a cabos eléctricos encobertos, bem como tubos de gás e água. Partes metálicas externas do produto podem causar um choque eléctrico ou uma explosão se, inadvertidamente, danificarem uma linha eléctrica, um tubo de gás ou de água.
- ▶ Os produtos utilizados frequentemente para trabalhar materiais condutores e, consequentemente, muito sujos, devem ser verificados regularmente num Centro de Assistência Técnica **Hilti**. O pó, nomeadamente o pó resultante de materiais condutores, ou a humidade aderente à superfície da ferramenta eléctrica podem, sob condições desfavoráveis, causar choques eléctricos.

Local de trabalho

- ▶ As aberturas (roços) em paredes estruturais ou outras estruturas podem influenciar a estática da estrutura, especialmente quando se cortam vigas de reforço ou outros componentes de suporte. Consulte o engenheiro, arquitecto ou responsável pelo projecto antes de iniciar os trabalhos.

2.3 Utilização e manutenção de baterias

- ▶ **Tenha em atenção as seguintes indicações de segurança para um manuseamento e utilização seguros de baterias de iões de lítio.** A inobservância pode causar irritações da pele, ferimentos corrosivos graves, queimaduras químicas, fogo e/ou explosões.
- ▶ Utilize baterias somente se estiverem em perfeitas condições técnicas.



- ▶ Manuseie cuidadosamente as baterias a fim de evitar danos e impedir a fuga de líquidos extremamente nocivos!
- ▶ As baterias não devem, em caso algum, ser modificadas ou manipuladas!
- ▶ As baterias não podem ser desmanteladas, esmagadas, aquecidas acima dos 80 °C (176 °F) ou incineradas.
- ▶ Não utilize ou carregue baterias que tenham recebido uma pancada ou que estejam, de outra forma, danificadas. Verifique regularmente se as suas baterias apresentam indícios de danos.
- ▶ Nunca utilize baterias recicladas ou reparadas.
- ▶ Nunca utilize a bateria ou uma ferramenta eléctrica a bateria como ferramenta de percussão.
- ▶ Nunca expor as baterias à radiação solar directa, temperaturas elevadas, faíscas ou chamas abertas. Isso pode dar origem a explosões.
- ▶ Não toque nos pólos da bateria com os dedos, ferramentas, jóias ou outros objectos condutores da electricidade. Isto pode danificar a bateria e causar danos materiais e ferimentos.
- ▶ Mantenha as baterias afastadas da chuva, humidade e líquidos. A entrada de humidade pode causar curto-circuitos, choques eléctricos, queimaduras, incêndio e explosões.
- ▶ Utilize apenas carregadores e ferramentas eléctricas previstos para este tipo de bateria. Para isso, tenha em atenção as indicações nos respectivos manuais de instruções.
- ▶ Nunca utilize nem guarde a bateria em ambientes potencialmente explosivos.
- ▶ Se a bateria estiver demasiado quente ao toque, poderá estar com defeito. Coloque a bateria num local com boa visibilidade que não constitua risco de incêndio, suficientemente afastado de materiais inflamáveis. Deixe a bateria arrefecer. Se, passado uma hora, a bateria ainda estiver demasiado quente ao toque, então está com defeito. Contacte o Centro de Assistência Técnica **Hilti** ou leia a documento "Indicações relativas à segurança e utilização de baterias de íões de lítio **Hilti**".



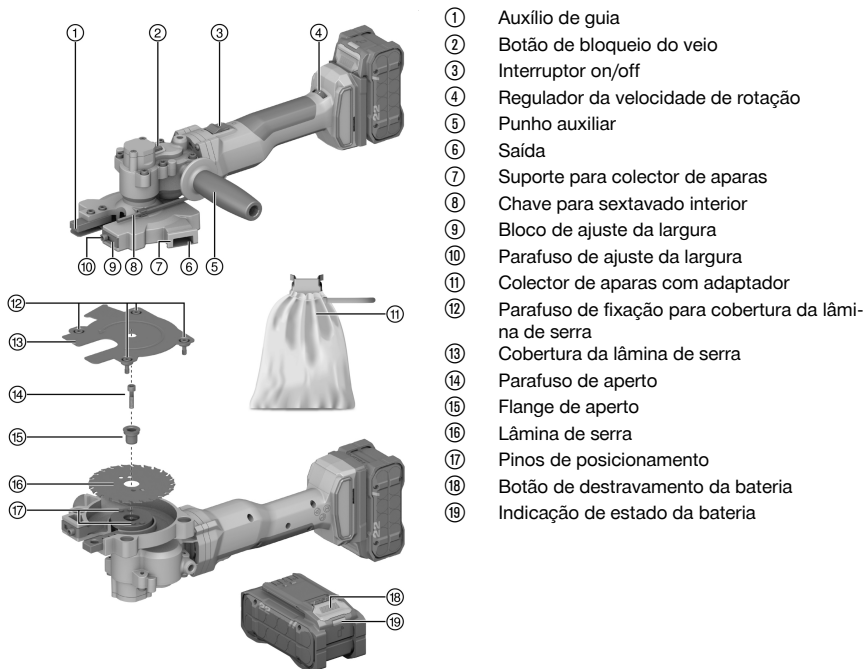
Observe as regras específicas aplicáveis ao transporte, à armazenagem e à utilização de baterias de íões de lítio. → Página 58

Leia as indicações relativas à segurança e utilização de baterias de íões de lítio **Hilti** que encontra efectuando a leitura do código QR na parte final deste manual de instruções.



3 Descrição

3.1 Vista geral do produto 1



3.2 Utilização conforme a finalidade projectada

O produto descrito é um cortador de ferro da armadura a bateria. Serve para o corte rente ou livre de ferros da armadura, hastes roscadas em aço macio, hastes roscadas em aço macio galvanizado e hastes roscadas em aço inoxidável utilizados na construção civil.

- Para este produto, utilize apenas baterias de íões de lítio **Hilti** Nuron da série B 22. Para garantir o desempenho perfeito, a **Hilti** recomenda para este produto as baterias indicadas nesta tabela, no fim deste manual de instruções.
- Para estas baterias utilize apenas carregadores **Hilti** das séries referidas na tabela no final deste manual de instruções.

3.3 Incluído no fornecimento

Cortador de ferro da armadura, punho auxiliar, lâmina de serra, cobertura da lâmina de serra, chave para sextavado interior, coletor de aparas, manual de instruções

Poderá encontrar outros produtos de sistema aprovados para o seu produto na sua **Hilti Store** ou em: www.hilti.group

3.4 Função de protecção do motor

A função de protecção do motor monitoriza a potência de entrada e a temperatura do motor e protege o produto para que não entre em sobreaquecimento.

Em caso de sobrecarga do motor devido a excessiva força de pressão, a potência do produto diminuirá consideravelmente, podendo até o produto parar.

Caso se verifique uma paragem ou uma redução das rotações devido a sobrecarga, alivie a pressão exercida e deixe o produto a trabalhar sem carga por aprox. 30 segundos.



3.5 Indicações da bateria de iões de lítio

As baterias de iões de lítio **Hilti** Nuron podem apresentar o estado de carga, mensagens de erro e o estado da bateria.

3.5.1 Indicações relativas ao estado de carga e mensagens de erro



AVISO

Risco de ferimentos devido à queda da bateria!

- ▶ Com a bateria encaixada, depois de pressionar o botão de destravamento, certifique-se de que volta a encaixar a bateria correctamente no produto utilizado.

Para obter uma das seguintes indicações, pressione brevemente o botão de destravamento da bateria.

O estado de carga, assim como, possíveis avarias são apresentados de forma permanente, enquanto o produto conectado estiver ligado.

Estado	Significado
Quatro (4) LEDs estão sempre acesos a verde	Estado de carga: 100% a 71%
Três (3) LEDs estão sempre acesos a verde	Estado de carga: 70% a 51%
Dois (2) LEDs estão sempre acesos a verde	Estado de carga: 50% a 26%
Um (1) LED está sempre aceso a verde	Estado de carga: 25% a 10%
Um (1) LED pisca lentamente a verde	Estado de carga: < 10%
Um (1) LED pisca rapidamente a verde	A bateria de iões de lítio está completamente descarregada. Carregue a bateria. Se o LED ainda estiver a piscar rapidamente depois de carregar a bateria, contacte o Centro de Assistência Técnica Hilti .
Um (1) LED pisca rapidamente a amarelo	A bateria de iões de lítio ou o produto associado estão sobrecarregados, demasiado quentes, demasiado frios ou existe alguma outra falha. O produto e a bateria devem ser utilizados à temperatura de trabalho recomendada e o produto não deve ser sobrecarregado quando está a ser utilizado. Se a mensagem persistir, contacte o Centro de Assistência Técnica Hilti .
Um (1) LED acende-se a amarelo	A bateria de iões de lítio e o produto a ela ligado não são compatíveis. Contacte a Assistência Técnica Hilti .
Um (1) LED pisca rapidamente a vermelho	A bateria de iões de lítio está bloqueada e não pode continuar a ser utilizada. Contacte a Assistência Técnica Hilti .

3.5.2 Indicações relativas ao estado da bateria

Para consultar o estado da bateria, mantenha o botão de destravamento pressionado por mais de três segundos. O sistema não detecta potenciais anomalias da bateria devido a utilização inadequada como, por ex., quedas, perfurações, danos externos provocados pelo calor, etc.

Estado	Significado
Todos os LEDs acendem como luz de perseguição e, em seguida, um (1) LED está sempre aceso a verde.	A bateria pode continuar a ser utilizada.
Todos os LEDs acendem como luz de perseguição e, em seguida, um (1) LED pisca rapidamente a amarelo.	Não foi possível concluir a consulta sobre o estado da bateria. Repita o procedimento ou contacte o Centro de Assistência Técnica Hilti .



Estado	Significado
Todos os LEDs acendem como luz de perseguição e, em seguida, um (1) LED está sempre aceso a vermelho.	Se um produto conectado ainda puder ser utilizado, a capacidade restante da bateria é inferior a 50%. Se um produto conectado já não puder ser utilizado, a bateria está no fim da sua vida útil e deve ser substituída. Contacte a Assistência Técnica Hilti .

4 Características técnicas

4.1 Dados informativos sobre o produto

Tensão nominal	21,6 V	
Peso	3,4 kg (7,50 lb) (sem bateria)	
Dimensões	490 mm × 142 mm × 156 mm (19,29 in × 5,59 in × 6,14 in)	
Capacidade de corte para ferros da armadura	10 mm ... 25 mm (0,39 in ... 0,98 in)	
Velocidade de rotação em vazio	Ajuste 1	1 000 rpm
	Ajuste 2	1 200 rpm
	Ajuste 3	1 400 rpm
	Ajuste 4	1 600 rpm
	Ajuste 5	1 800 rpm
	Ajuste 6	2 200 rpm
Diâmetro da lâmina de serra	110 mm (4,33 in)	
Temperatura ambiente durante o funcionamento	-17 °C ... 60 °C (1,4 °F ... 140,0 °F)	
Temperatura de armazenagem	-20 °C ... 70 °C (-4,0 °F ... 158,0 °F)	

4.2 Bateria

Tensão de serviço da bateria	21,6 V
Peso da bateria	Consultar o fim deste manual de instruções
Temperatura ambiente durante o funcionamento	-17 °C ... 60 °C (1,4 °F ... 140,0 °F)
Temperatura de armazenagem	-20 °C ... 40 °C (-4,0 °F ... 104,0 °F)
Temperatura da bateria no início do carregamento	-10 °C ... 45 °C (14,0 °F ... 113,0 °F)

5 Preparação do local de trabalho

AVISO

Risco de ferimentos devido a arranque involuntário!

- ▶ Antes de encaixar a bateria, certifique-se de que o produto correspondente está desligado.
- ▶ Remova a bateria, antes de efectuar ajustes na ferramenta ou substituir acessórios.

Tenha em atenção as instruções de segurança e as advertências nesta documentação e no produto.



5.1 Carregar a bateria

1. Antes de carregar, leia o manual de instruções do carregador.
2. Certifique-se de que os contactos da bateria e do carregador estão limpos e secos.
3. Carregue a bateria num carregador aprovado. → Página 52

5.2 Colocar a bateria

AVISO

Risco de ferimentos devido a curto-circuito ou queda da bateria!

- ▶ Antes de encaixar a bateria, certifique-se de que os contactos da bateria e os contactos no produto estão livres de corpos estranhos.
- ▶ Certifique-se de que a bateria engata sempre correctamente.

1. A bateria deve ser completamente carregada antes da primeira utilização.
2. Introduza a bateria no produto até engatar de forma audível.
3. Verifique se a bateria está correctamente encaixada.

5.3 Retirar a bateria

1. Pressione o botão de destravamento da bateria.
2. Puxe a bateria para fora do produto.

5.4 Desmontagem da lâmina de serra

AVISO

Risco de queimaduras e corte na lâmina de serra, parafuso e flange de aperto As consequências podem ser queimaduras e cortes.

- ▶ Use luvas de protecção para substituir o disco de corte.

1. Solte os 4 parafusos de fixação da cobertura da lâmina de serra, com a chave para sextavado interior.
2. Aplique a chave para sextavado interior no parafuso de aperto do flange de aperto.
3. Pressione o botão de bloqueio do veio e rode a lâmina de serra com a chave para sextavado interior, até que o botão de bloqueio do veio impeça uma nova rotação.
4. Com a lâmina de serra bloqueada, rode agora a chave para sextavado interior no sentido contrário ao dos ponteiros do relógio, para soltar e retirar o parafuso de aperto.
5. Retire o flange de aperto e a lâmina de serra.

5.5 Substituição da lâmina de serra

Utilize exclusivamente a lâmina de serra **Hilti** NRC Xcut 110/4.3". Utilize apenas lâminas de serra em perfeitas condições.

1. Encaixe a lâmina de serra no veio de accionamento. Certifique-se de que os quatro pinos de posicionamento do veio de accionamento estão encaixados nos orifícios da lâmina de serra.



Verifique os dentes de serra, os ajustes da ferramenta e o sentido de rotação. Não utilize lâminas de serra, cujos dentes apresentem um desgaste abaixo de 1 mm.

2. Coloque o flange de aperto novo.
3. Coloque o parafuso de aperto novo.
4. Pressione o botão de bloqueio do veio completamente para dentro e aperte bem o parafuso com a chave para sextavado interior.



Certifique-se de que o botão de bloqueio do veio está completamente pressionado para dentro. Caso contrário, a lâmina de serra pode rodar e causar ferimentos.

5. Coloque a nova cobertura da lâmina de serra com 4 parafusos de fixação e aperte bem os parafusos com a chave para sextavado interior.




5.6 Protecção anti-queda

AVISO


Risco de ferimentos devido a queda de ferramentas e/ou acessórios!

- ▶ Utilize apenas o cabo de segurança para ferramentas **Hilti** recomendado para o seu produto.
- ▶ Antes de cada utilização, verifique o ponto de fixação do cabo de segurança para ferramentas quanto a possíveis danos.

 Observe as directivas nacionais para trabalhos em altura.

Como protecção anti-queda para este produto, utilize exclusivamente uma combinação do dispositivo de segurança **Hilti** #2293133 com o cabo de segurança para ferramentas **Hilti** #2261970.

- ▶ Fixe o dispositivo de segurança nas aberturas de montagem para acessórios. Verifique se está bem apertado.
- ▶ Fixe um mosquetão do cabo de segurança para ferramentas no dispositivo de segurança e o segundo mosquetão a uma estrutura de suporte. Verifique se ambos os mosquetões estão bem apertados.

 Observe os manuais de instruções do dispositivo de segurança **Hilti**, bem como do cabo de segurança para ferramentas **Hilti**.

5.7 Colocação ou remoção do o colector de aparas

1. Para colocar, deslize o adaptador do colector de aparas sobre o suporte do colector de aparas, até engatar de forma audível.
2. Para retirar, solte ambos os grampos no adaptador do colector de aparas puxando-os ligeiramente para fora.

5.8 Montagem do punho auxiliar

- ▶ Aparafuse o punho auxiliar num dos furos roscados.

5.9 Ajustar a largura de abertura

1. Solte o parafuso de regulação da largura.
2. Empurre o bloco de ajuste da largura para a esquerda ou para a direita para obter a largura de abertura pretendida.

6 Utilização

Tenha em atenção as instruções de segurança e as advertências nesta documentação e no produto.

6.1 Ligar

CUIDADO

Risco de ferimentos Perda do controlo sobre o produto.

- ▶ Antes da utilização do produto, certifique-se de que o punho auxiliar, o flange de aperto, a cobertura da lâmina de serra e os parafusos de fixação da cobertura da lâmina de serra, assim como todos os outros parafusos estão correctamente colocados.

1. Pressione a parte de trás do interruptor on/off.
2. Empurre o interruptor on/off para a frente.
 - ▶ O motor funciona.
3. Bloqueie o interruptor on/off.



6.2 Cortar ferros da armadura 4

AVISO

Risco de ferimentos Uma colocação ou rotação errada pode causar ferimentos graves e danificar a electrónica do motor.

- ▶ Abraze o movimento para a frente (movimento de corte) tanto no início como no fim do processo de corte.
- ▶ Segure o produto para que não vibre ao cortar.
- ▶ Depois de ligar o motor, não comece logo a cortar. Antes de encetar o corte, deixe que a lâmina de serra alcance a velocidade de rotação máxima.
- ▶ Não toque nas peças em rotação, pois isso pode causar ferimentos graves.
- ▶ Não corte ferros da armadura com um diâmetro inferior a 4 mm.
- ▶ Não corte ferros da armadura com menos de 10 mm de comprimento, pois a secção entre a lâmina de serra e a cobertura pode ficar presa e causar danos e ferimentos graves.

1. Certifique-se de que o interruptor está na posição **O(1)**.
2. Seleccione o ajuste adequado para o corte a executar **(2)**.



O ajuste 6 tem a velocidade de corte mais elevada. Seleccione um ajuste mais baixo para reduzir o voo de faíscas.

3. Ligue o produto. → Página 56
4. Coloque o auxílio de guia firmemente no ferro da armadura. Empurre lentamente o produto para a frente, para iniciar o corte do ferro **(4)**.
5. No final do corte, desligue o produto. → Página 57

6.3 Desligar

- ▶ Pressione a parte de trás do interruptor on/off.
 - ▶ O interruptor on/off salta para a posição off e o motor pára.

7 Conservação e manutenção

AVISO

Risco de lesão com a bateria encaixada !

- ▶ Retire sempre a bateria antes de todos os trabalhos de conservação e manutenção!

Conservação do produto

- Remova sujidade persistente com cuidado.
- Se existente, limpe as saídas de ar cuidadosamente com uma escova seca e macia.
- Limpe a carcaça apenas com um pano ligeiramente húmido. Não utilize produtos de conservação que contenham silicone, uma vez que estes podem danificar os componentes de plástico.
- Utilize um pano limpo e seco, para limpar os contactos do produto.

Conservação das baterias de iões de lítio

- Nunca utilize uma bateria com as saídas de ar obstruídas. Limpe as saídas de ar cuidadosamente com uma escova seca e macia.
- Evite que a bateria seja exposta desnecessariamente a pó ou sujidade. Nunca exponha a bateria a humidade elevada (por ex., mergulhar em água ou deixar à chuva).
Se uma bateria tiver ficado encharcada, trate-a como uma bateria danificada. Isole-a num recipiente não inflamável e contacte o Centro de Assistência Técnica **Hilti**.
- Mantenha a bateria sem resíduos de óleo e massa consistente externos. Não permita que se acumule desnecessariamente pó ou sujidade sobre a bateria. Limpe a bateria com uma escova seca e macia ou um pano limpo e seco. Não utilize produtos de conservação que contenham silicone, uma vez que estes podem danificar os componentes de plástico.
Não toque nos contactos da bateria nem remova dos contactos a massa consistente aplicada de fábrica.
- Limpe a carcaça apenas com um pano ligeiramente húmido. Não utilize produtos de conservação que contenham silicone, uma vez que estes podem danificar os componentes de plástico.



Manutenção**AVISO**

Perigo devido a choque eléctrico! Reparações incorrectas em peças eléctricas podem causar ferimentos e queimaduras graves.

- ▶ As reparações na parte eléctrica apenas podem ser executadas por um electricista especializado.
- Verifique, regularmente, todos os componentes visíveis quanto a danos e os comandos operativos quanto a funcionamento perfeito.
- Não opere o produto se existirem danos e/ou perturbações de funcionamento. Mandê reparar o produto imediatamente no Centro de Assistência Técnica **Hilti**.
- Após os trabalhos de conservação e manutenção, aplique todos os dispositivos de protecção e verifique se funcionam correctamente.



a garantir um funcionamento seguro utilize apenas peças sobresselentes, consumíveis e acessórios originais. Poderá encontrar peças sobresselentes, consumíveis e acessórios aprovados pela **Hilti** para o seu produto na sua **Hilti Store** ou em: **www.hilti.group**

8 Transporte e armazenamento**Transporte de ferramentas a bateria e baterias****CUIDADO****Arranque inadvertido durante o transporte !**

- ▶ Transporte os seus produtos sempre sem as baterias colocadas!
- ▶ Retire a/as bateria(s).
- ▶ Nunca transporte as baterias sem embalagem. Durante o transporte, as baterias devem ser protegidas contra impactos e vibrações excessivos e isoladas de quaisquer materiais condutores ou outras baterias, para que não entrem em contacto com os pólos de outras baterias e causem um curto-circuito. **Observe as suas normas de transporte locais para baterias.**
- ▶ As baterias não devem ser enviadas por correio. Quando pretender enviar baterias não danificadas, contacte uma empresa transportadora.
- ▶ Verifique o produto e as baterias quanto a danos antes de cada utilização, bem como antes e depois de longos períodos de transporte.

Armazenamento de ferramentas a bateria e baterias**AVISO****Dano acidental devido a baterias com defeito ou a perderem líquido !**

- ▶ Armazene os seus produtos sempre sem as baterias colocadas!
- ▶ Guarde o produto e as baterias em lugar fresco e seco. Tenha em atenção os valores limite de temperatura, que estão indicados nas Características técnicas.
- ▶ Não guarde as baterias no carregador. Após o processo de carregamento, retire sempre a bateria do carregador.
- ▶ Nunca armazene as baterias em locais sujeitos a exposição solar, em cima de fontes de calor ou por trás de um vidro.
- ▶ Guarde o produto e as baterias fora do alcance das crianças e das pessoas não autorizadas.
- ▶ Verifique o produto e as baterias quanto a danos antes de cada utilização, bem como antes e depois de longos períodos de armazenamento.

9 Ajuda em caso de avarias

Sempre que ocorra uma avaria, observe a indicação de estado da bateria. Consulte o capítulo **Indicações da bateria de íões de lítio** → Página 53.

No caso de avarias que não sejam mencionadas nesta tabela ou se não conseguir resolvê-las por si mesmo, contacte o nosso Centro de Assistência Técnica **Hilti**.

Avaria	Causa possível	Solução
Não é possível ligar o produto.	Bateria descarregada.	▶ Substitua a bateria e carregue a bateria descarregada.



Avaria	Causa possível	Solução
A bateria descarrega-se mais depressa do que habitualmente.	Temperatura ambiente muito baixa.	▶ Deixe a bateria aquecer lentamente até à temperatura ambiente.
A bateria não encaixa com clique audível.	A patilha de fixação na bateria está suja.	▶ Limpe a patilha de fixação e volte a encaixar a bateria.
Sem função de travagem do motor.	Bateria descarregada.	▶ Substitua a bateria e carregue a bateria descarregada.
	Produto sobrecarregado por instantes.	▶ Desligue e volte a ligar o produto.

10 Reciclagem

AVISO

Perigo de ferimentos devido a eliminação incorrecta! Riscos para a saúde devido à fuga de gases ou líquidos.

- ▶ Não envie quaisquer baterias danificadas!
- ▶ Para evitar curto-circuitos, cubra as conexões com um material não condutor.
- ▶ Elimine as baterias de modo a mantê-las longe do alcance das crianças.
- ▶ Efectue a reciclagem da bateria na sua **Hilti Store** ou entre em contacto com a empresa de recolha de lixo responsável.

Os produtos **Hilti** são, em grande parte, fabricados com materiais recicláveis. Um pré-requisito para a reciclagem é que esses materiais sejam devidamente separados. Em muitos países, a **Hilti** aceita o seu aparelho usado para reaproveitamento. Para mais informações, dirija-se ao Serviço de Clientes **Hilti** ou ao seu vendedor.



- ▶ Não deite as ferramentas eléctricas, aparelhos electrónicos e baterias no lixo doméstico!

11 Garantia do fabricante

- ▶ Se tiver dúvidas em relação às condições de garantia, contacte o seu parceiro **Hilti** local.

12 Mais informações

Pode consultar informações mais pormenorizadas sobre Utilização, Tecnologia, Meio ambiente e Reciclagem na seguinte hiperligação: qr.hilti.com/manual/?id=2412811

Também pode encontrar esta hiperligação no final da documentação sob a forma de código QR.





 **NURON**



B 22-85 (01)	0,77 kg	1.70 lb
B 22-110 (01)	0,92 kg	2.03 lb

C 4-22
C 6-22
C 8-22





Hilti Corporation
LI-9494 Schaan
Tel.:+423 234 21 11
Fax:+423 234 29 65
www.hilti.com



2412811